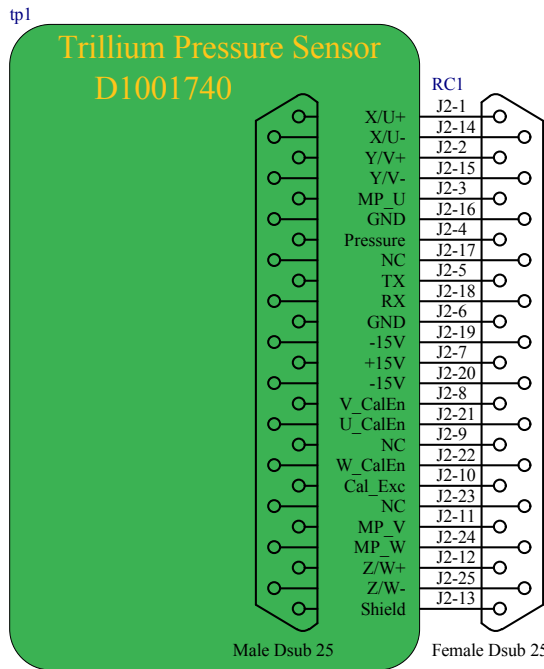
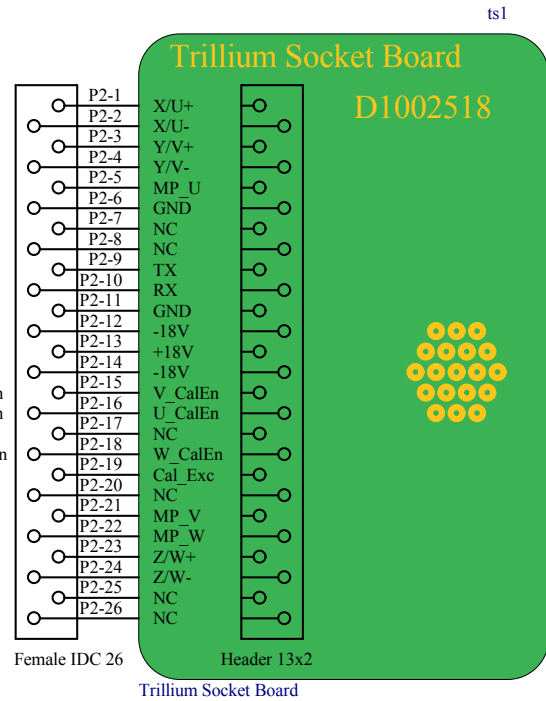


← 12" Ribbon Cable →




RC1	J2-1	1	X/U+	1	X/U+
X/U+	J2-14	14	X/U-	2	X/U-
X/U-	J2-2	2	Y/V+	3	Y/V+
Y/V+	J2-15	15	Y/V-	4	Y/V-
Y/V-	J2-3	3	MP_U	5	MP_U
MP_U	J2-16	16	GND	6	GND
GND	J2-4	4	Pressure	7	NC
Pressure	J2-17	17	NC	8	NC
NC	J2-5	5	TX	9	TX
TX	J2-18	18	RX	10	RX
RX	J2-6	6	GND	11	GND
GND	J2-19	19	-15V	12	-18V
-15V	J2-7	7	+15V	13	+18V
+15V	J2-20	20	-15V	14	-18V
-15V	J2-8	8	V_CalEn	15	V_CalEn
V_CalEn	J2-21	21	U_CalEn	16	U_CalEn
U_CalEn	J2-9	9	NC	17	NC
NC	J2-22	22	W_CalEn	18	W_CalEn
W_CalEn	J2-10	10	Cal_Exc	19	Cal_Exc
Cal_Exc	J2-23	23	NC	20	NC
NC	J2-11	11	MP_V	21	MP_V
MP_V	J2-24	24	MP_W	22	MP_W
MP_W	J2-12	12	Z/W+	23	Z/W+
Z/W+	J2-25	25	Z/W-	24	Z/W-
Z/W-	J2-13	13	Shield	25	NC
Shield				26	NC



Trillium Pressure Sensor

Trillium Ribbon Cable

Trillium Socket Board

Title Trillium In-Pod Cable Assembly			
Size: A	DCC Number: D1100920		Ligo Project California Institute of Technology Massachusetts Institute of Technology 
Drawn by: Ben Abbott	Date: 5/17/2011	Revision: v1	
File: C:\restored\Ben\Seismic\ISI\BSC_ISI\TrilliumSocketBoard\TrilliumInPodCable.DSN			