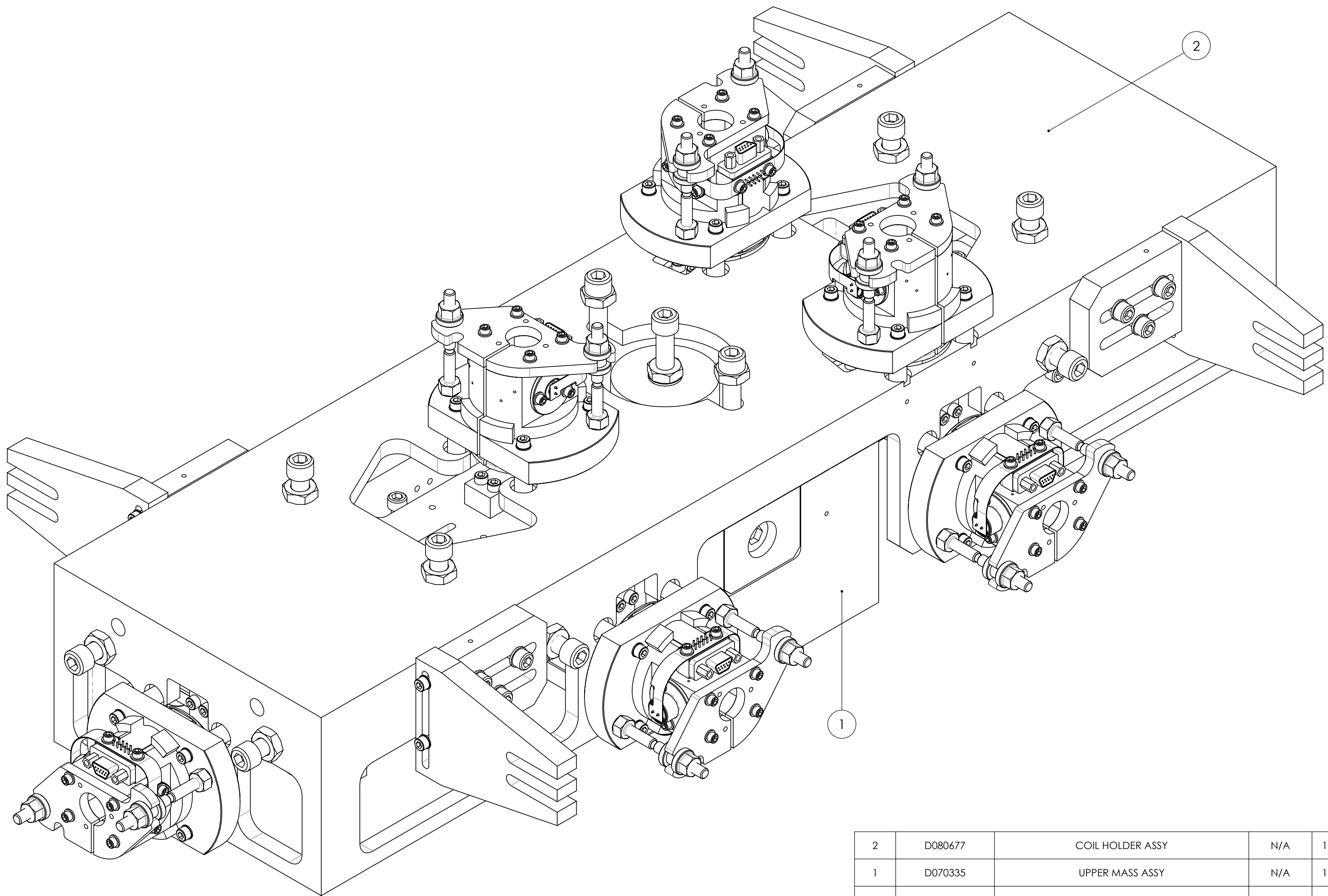


REV.	DATE	DCN #	DRAWING TREE #
v1	10 AUG 2010	E1000301	E080191
-	-	-	-
-	-	-	-



ITEM NO.	PART NUMBER	DESCRIPTION	MATERIAL	REQ	SPARE	TOTAL
2	D080677	COIL HOLDER ASSY	N/A	1	0	1
1	D070335	UPPER MASS ASSY	N/A	1	0	1

PARTS LIST

NOTES AND TOLERANCES: (UNLESS OTHERWISE SPECIFIED)

MATERIAL	N/A
FINISH	N/A μinch

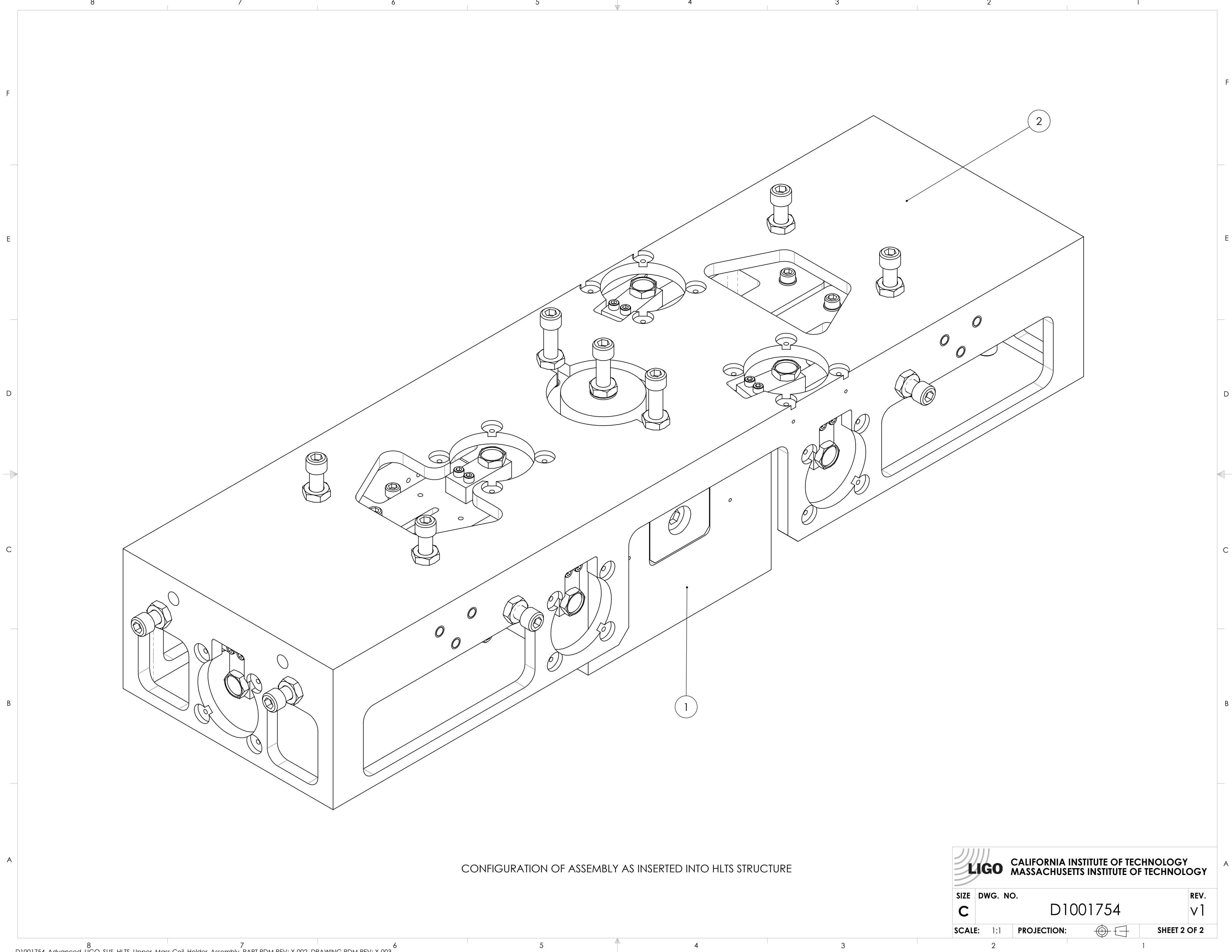
LIGO CALIFORNIA INSTITUTE OF TECHNOLOGY
 MASSACHUSETTS INSTITUTE OF TECHNOLOGY

SYSTEM: ADVANCED LIGO SUB-SYSTEM: SUS

NEXT ASSY: HLTS OVERALL ASSY

PART NAME: UPPER MASS/COIL HOLDER ASSY

DESIGNER	D. BRIDGES	10 AUG 2010	SIZE	DWG. NO.	REV.
DRAFTER	D. BRIDGES	14 AUG 2010	c	D1001754	v1
CHECKER	B. MOORE	16 AUG 2010			
APPROVAL			SCALE: 1:1	PROJECTION:	SHEET 1 OF 2



CONFIGURATION OF ASSEMBLY AS INSERTED INTO HLTS STRUCTURE

 CALIFORNIA INSTITUTE OF TECHNOLOGY MASSACHUSETTS INSTITUTE OF TECHNOLOGY		
SIZE C	DWG. NO. D1001754	REV. v1
SCALE: 1:1	PROJECTION: 	SHEET 2 OF 2