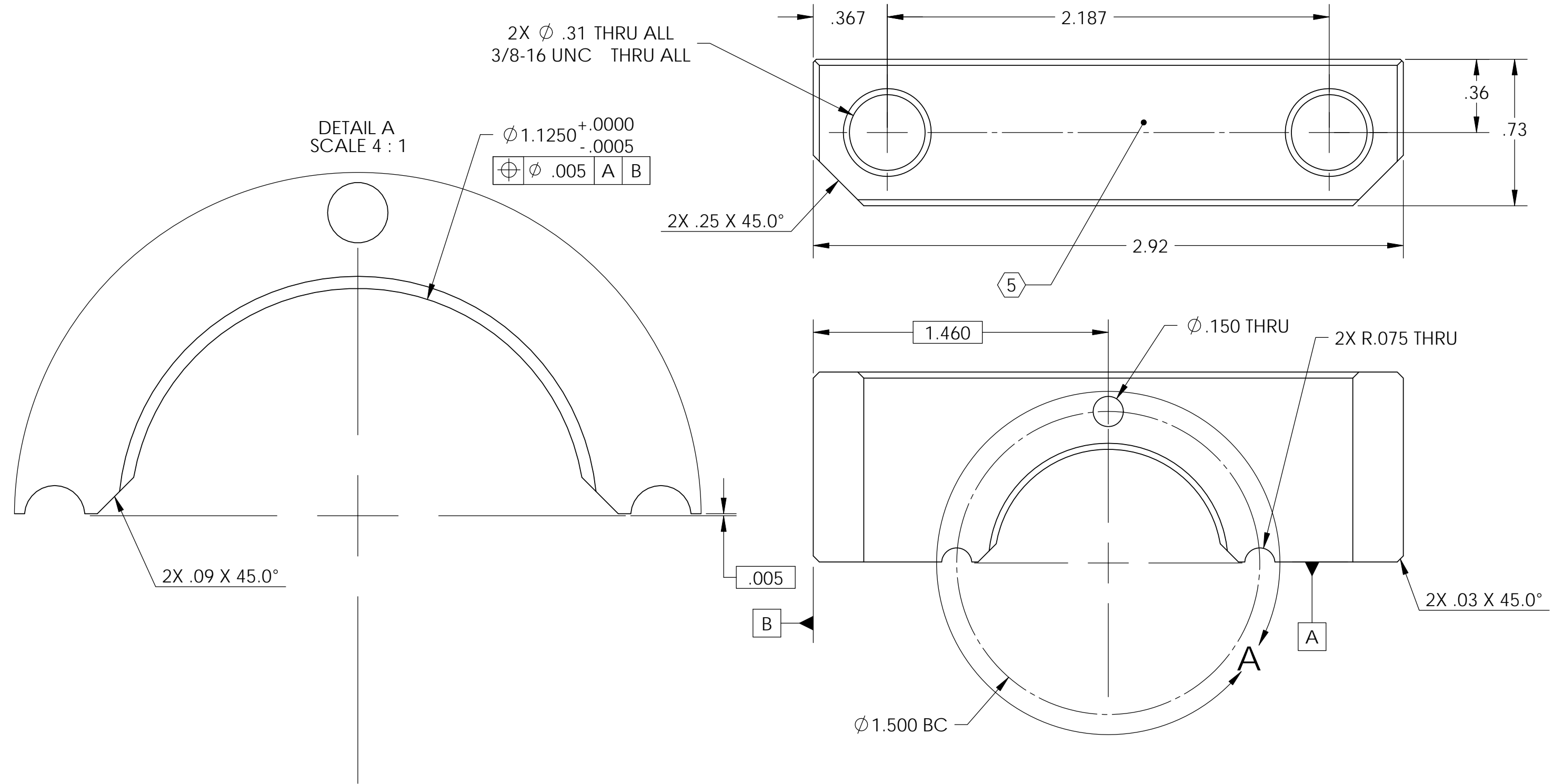


D1001806 Pin Cap, Locker, Stage 1-2, aLIGO BSC-ISI, PART PDM REV: X-003, DRAWING PDM REV: X-002

NOTES CONTINUED:
 5. SCRIBE, ENGRAVE, OR MECHANICALLY STAMP (NO INKS OR DYES) DRAWING PART NUMBER, REVISION (AND VARIANT OR "TYPE" IF APPLICABLE ON NOTED SURFACE OF PART FOLLOWED ON THE NEXT LINE WITH A THREE DIGIT SERIAL NUMBER. SERIAL NUMBERS START AT 001 FOR THE FIRST ARTICLE AND PROCEED CONSECUTIVELY. USE MINIMUM 0.12 HIGH CHARACTERS, UNLESS THE SIZE OF THE PART DICTATES SMALLER CHARACTERS. A VIBRATORY TOOL MAY BE USED.
 EXAMPLE DXXXXXX-VY, TYPE-XX, S/N XXX.
 6. APPROXIMATE WEIGHT = 0.13 LB.
 7. MACHINE ALL SURFACES TO REMOVE OXIDES AND MILL FINISH. USE OF ABRASIVE REMOVAL TECHNIQUES IS NOT ALLOWED.
 8. ALL PARTS SHALL BE MANUFACTURED IN ACCORDANCE WITH LIGO SPECIFICATION E0900364.

REV.	DATE	DCN #	DRAWING TREE #
v1	16 July 2010	E1000115	E1000025
v2	19 Aug 2010	E1000339	E1000025



NOTES AND TOLERANCES: (UNLESS OTHERWISE SPECIFIED)				LIGO		CALIFORNIA INSTITUTE OF TECHNOLOGY MASSACHUSETTS INSTITUTE OF TECHNOLOGY		PART NAME					
DIMENSIONS ARE IN INCHES				ADVANCED LIGO		SUB-SYSTEM		PIN CAP, LOCKER, Stage 1-2, aLIGO BSC-ISI					
TOLERANCES: .XX ± .015 .XXX ± .005				63 μinch		SEI		DESIGNER	A.STEIN	16 July 2010	SIZE	DWG. NO.	REV.
ANGULAR ± .5°				2024-T351 Al		D1000855		DRAFTER	M.HILLARD	16 July 2010	B	D1001806	v2
								CHECKER	F.MATICHARD	16 July 2010	SCALE: 2:1	PROJECTION:	SHEET 1 OF 1
								APPROVAL	K.MASON	16 July 2010			