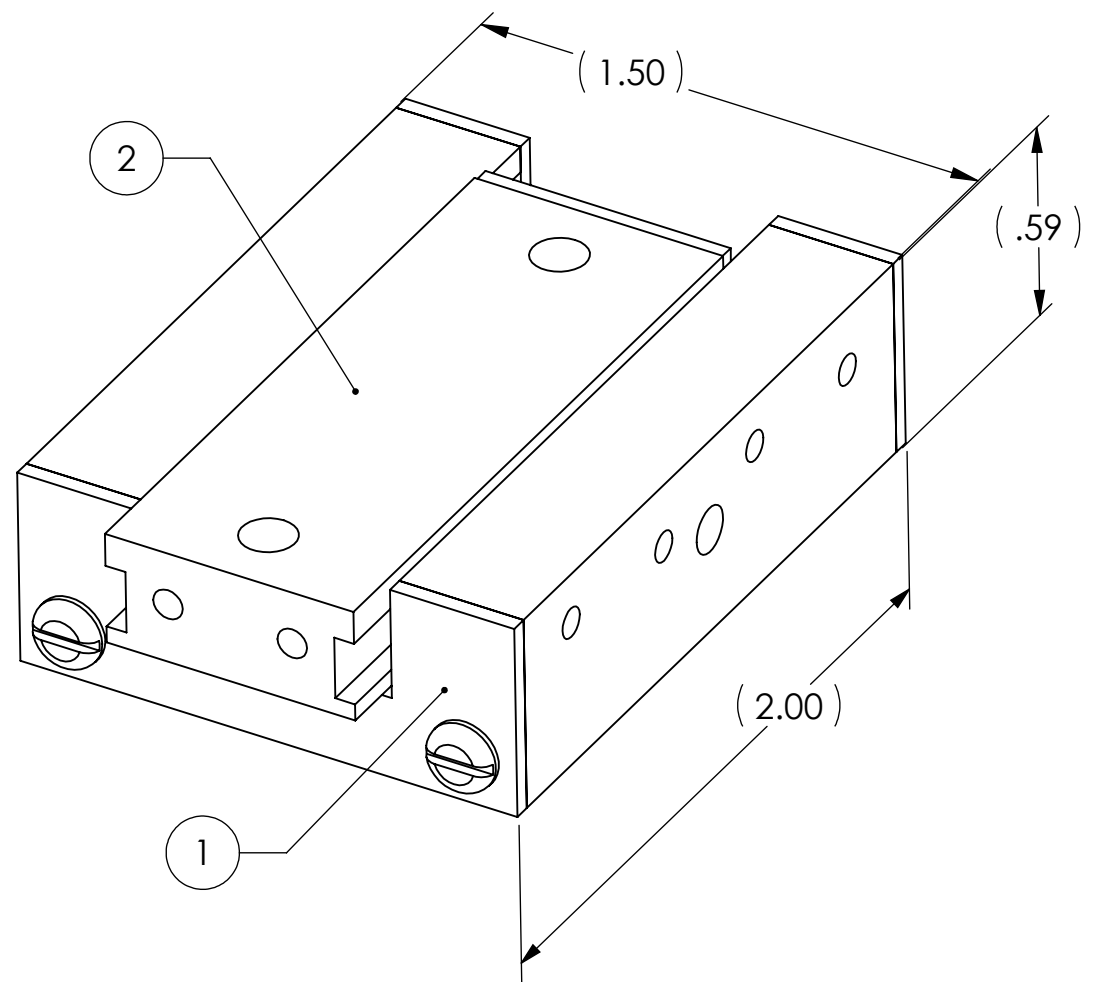


D1001894 aLIGO TMS Del-Tron-RS1-1-VERTICAL SLIDE ASSY., PART PDM REV: X-011, DRAWING PDM REV: X-006

~~NOTES CONTINUED:
 5. SCRIBE, ENGRAVE, OR MECHANICALLY STAMP (NO DYES OR INKS) A UNIQUE THREE DIGIT SERIAL NUMBER & REVISION NUMBER ON EACH PART. SERIAL NUMBERS START AT 001 FOR THE FIRST ARTICLE AND PROCEED CONSECUTIVELY. DATE AND TYPE OF PARTS WITH THEIR DRAWING PART NUMBER, REVISION, VARIANT OR "TYPE" (IF APPLICABLE), AND QUANTITY. IF PARTS ARE TOO SMALL TO SCRIBE, TAGGING AND TAGGING ALONE IS SUFFICIENT.
 EXAMPLE (PART): 001-v1
 EXAMPLE (TAG): DXXXXXX-VY, TYPE-XX, QTY: TBD~~

REV.	DATE	DCN #	DRAWING TREE #
v1	08/12/2010	E1000318	-
-	-	-	-
-	-	-	-



ITEM NO.	PART NUMBER	DESCRIPTION	QTY.
1	D1001945	aLIGO TMS DEL-TRON-RS-1-1-VERT. CARRIAGE	1
2	D1001946	aLIGO TMS DEL-TRON-RS-1-1- VERTICAL GUIDE	1

1. MODIFY DEL-TRON RS1-1 SLIDE ASSEMBLY.

DIMENSIONS ARE IN INCHES		NOTES AND TOLERANCES: (UNLESS OTHERWISE SPECIFIED)		CALIFORNIA INSTITUTE OF TECHNOLOGY MASSACHUSETTS INSTITUTE OF TECHNOLOGY		PART NAME	
TOLERANCES: .XX ± .10 .XXX ± .005		1. INTERPRET DRAWING PER ASME Y14.5-1994. 2. REMOVE ALL SHARP EDGES, R.02 MIN. 3. DO NOT SCALE FROM DRAWING. 4. ALL MACHINING FLUIDS MUST BE FULLY SYNTHETIC, FULLY WATER SOLUBLE AND FREE OF SULFUR, SILICONE, AND CHLORINE.		SYSTEM		aLIGO TMS DEL-TRON-RS1-1,-VERTICAL ASSY.	
ANGULAR ± °		MATERIAL	FINISH	NEXT ASSY	DESIGNER	SIZE DWG. NO.	REV.
	RS1-1	N/A μinch	D1001600	AOS	M. MILLER 07/27/2010	B D1001894	v1
		SCALE: 2:1		PROJECTION:		SHEET 1 OF 1	