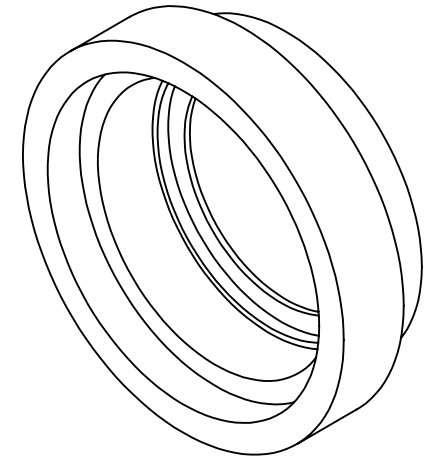
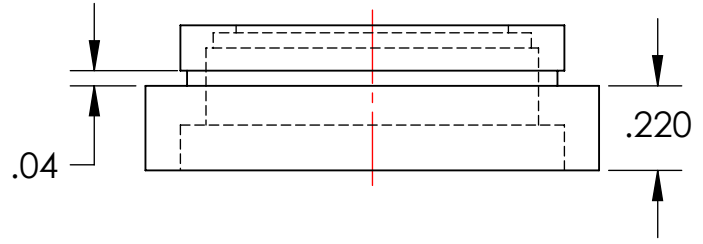
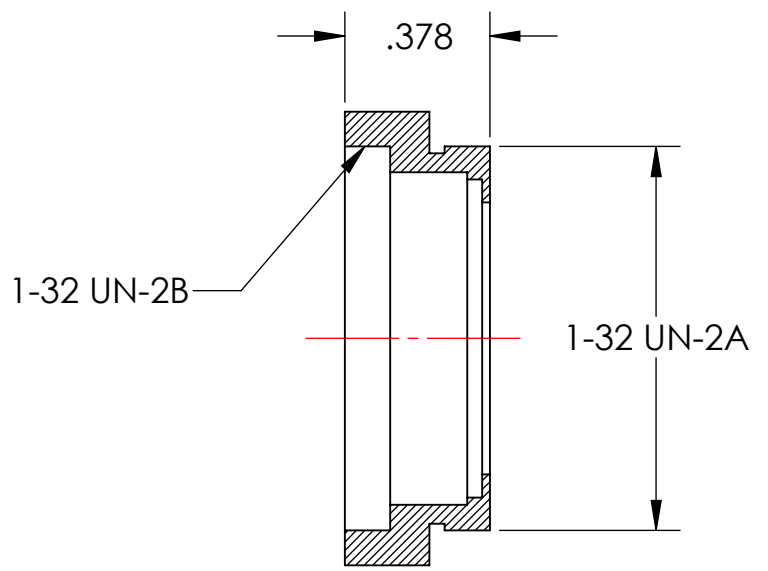
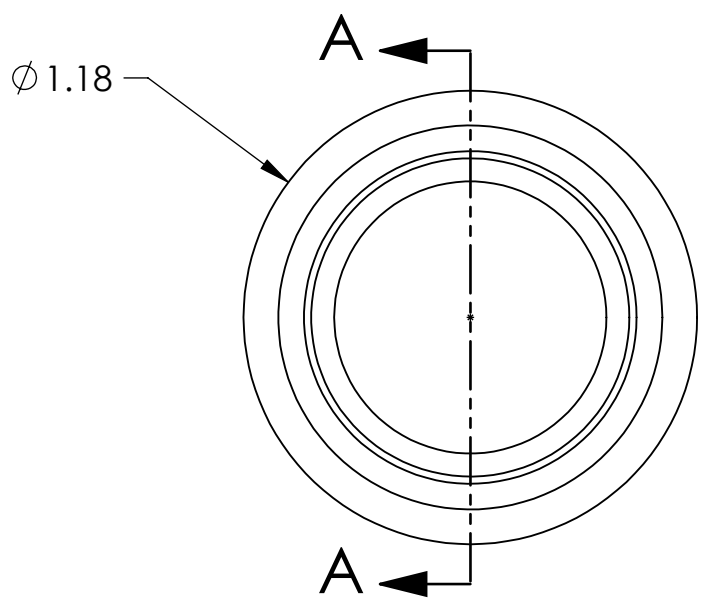


NOTES CONTINUED:
 5. PURCHASE THE ITEM FROM EDMUND OPTICS, INC.
 101 E. GLOUCESTER PIKE, BARRINGTON, NJ 08007
 Phone: 1-856-573-6250
 Toll-Free: 1-800-363-1992
 Fax: 1-856-573-6295
 C-MOUNT RETICLE MOUNT: STOCK No. NT53-860

REV.	DATE	DCN #	DRAWING TREE #
v1	7 OCT 2010	E1000563	-
-	-	-	-
-	-	-	-



GENERAL VIEW
 FOR REFERENCE ONLY
 NO SCALE



SECTION A-A

D1001924_d1lgo_AOS_Faraday Isolator_D0900614_C Mount Reticle, PART PDM REV: X-010, DRAWING PDM REV: X-009

D C B A

D C B A

NOTES AND TOLERANCES: (UNLESS OTHERWISE SPECIFIED)				LIGO CALIFORNIA INSTITUTE OF TECHNOLOGY MASSACHUSETTS INSTITUTE OF TECHNOLOGY		PART NAME	
DIMENSIONS ARE IN INCHES TOLERANCES: .XX ± .01 .XXX ± .005 ANGULAR ± 0.5°				1. INTERPRET DRAWING PER ASME Y14.5-1994. 2. REMOVE ALL SHARP EDGES, R.02 MIN. 3. DO NOT SCALE FROM DRAWING. 4. ALL MACHINING FLUIDS MUST BE FULLY SYNTHETIC, FULLY WATER SOLUBLE AND FREE OF SULFUR, SILICONE, AND CHLORINE.		C-MOUNT RETICLE	
MATERIAL UNKNOWN		FINISH AS RECEIVED		SYSTEM ADVANCED LIGO SUB-SYSTEM AOS		DESIGNER TQ. NGUYEN 27 JUL 2010 DRAFTER TQ. NGUYEN 24 AUG 2010 CHECKER M. SMITH APPROVAL D. COYNE	
				NEXT ASSY D1001918		SIZE DWG. NO. B D1001924 REV. v1	
						SCALE: 2:1 PROJECTION: SHEET 1 OF 1	