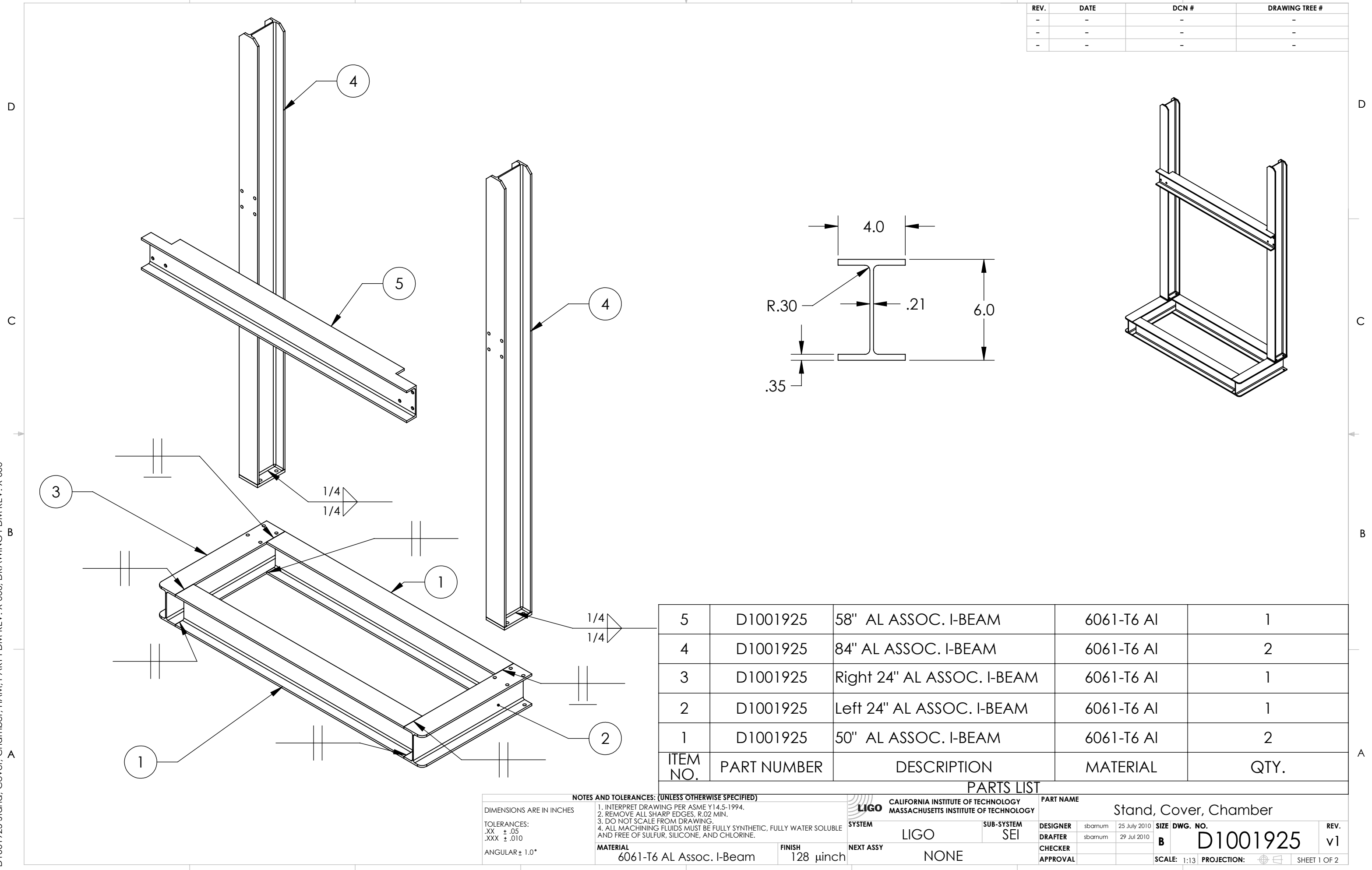


D1001925 Stand, Cover, Chamber, HAM, PART PDM REV: X-000, DRAWING PDM REV: X-000

REV.	DATE	DCN #	DRAWING TREE #
-	-	-	-
-	-	-	-
-	-	-	-



ITEM NO.	PART NUMBER	DESCRIPTION	MATERIAL	QTY.
5	D1001925	58" AL ASSOC. I-BEAM	6061-T6 Al	1
4	D1001925	84" AL ASSOC. I-BEAM	6061-T6 Al	2
3	D1001925	Right 24" AL ASSOC. I-BEAM	6061-T6 Al	1
2	D1001925	Left 24" AL ASSOC. I-BEAM	6061-T6 Al	1
1	D1001925	50" AL ASSOC. I-BEAM	6061-T6 Al	2

PARTS LIST

DIMENSIONS ARE IN INCHES
 TOLERANCES:
 .XX ± .05
 .XXX ± .010
 ANGULAR ± 1.0°

NOTES AND TOLERANCES: (UNLESS OTHERWISE SPECIFIED)
 1. INTERPRET DRAWING PER ASME Y14.5-1994.
 2. REMOVE ALL SHARP EDGES, R.02 MIN.
 3. DO NOT SCALE FROM DRAWING.
 4. ALL MACHINING FLUIDS MUST BE FULLY SYNTHETIC, FULLY WATER SOLUBLE AND FREE OF SULFUR, SILICONE, AND CHLORINE.

MATERIAL
 6061-T6 AL Assoc. I-Beam

FINISH
 128 μinch

LIGO CALIFORNIA INSTITUTE OF TECHNOLOGY
 MASSACHUSETTS INSTITUTE OF TECHNOLOGY

SYSTEM
 LIGO

SUB-SYSTEM
 SEI

NEXT ASSY
 NONE

PART NAME
 Stand, Cover, Chamber

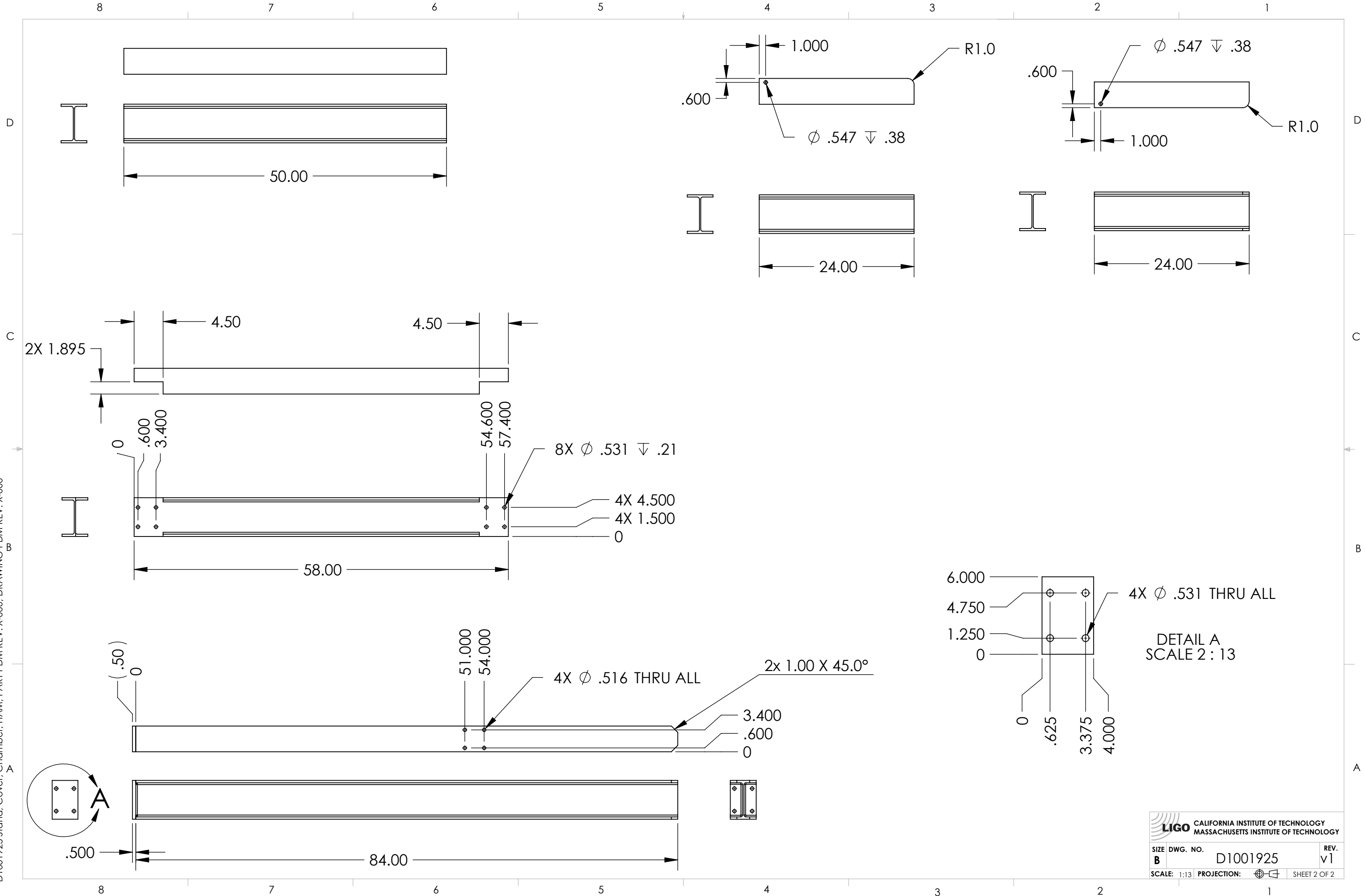
DESIGNER sbarnum 25 July 2010
DRAFTER sbarnum 29 Jul 2010
CHECKER
APPROVAL

SIZE DWG. NO.
 B D1001925

REV.
 v1

SCALE: 1:13 **PROJECTION:** **SHEET 1 OF 2**

D1001925 Stand, Cover, Chamber, HAM, PART PDM REV: X-000, DRAWING PDM REV: X-000



LIGO CALIFORNIA INSTITUTE OF TECHNOLOGY
 MASSACHUSETTS INSTITUTE OF TECHNOLOGY

SIZE	DWG. NO.	REV.
B	D1001925	v1
SCALE: 1:13 PROJECTION:		SHEET 2 OF 2