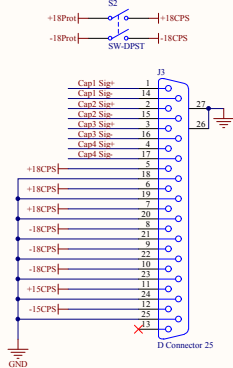
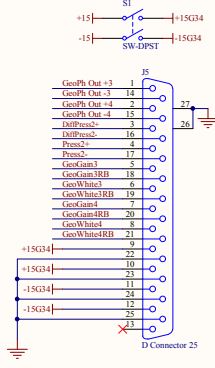


Cap Pos Power Switch



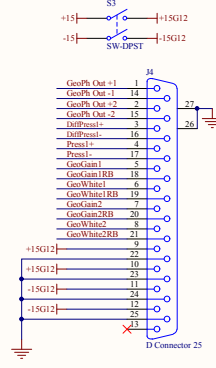
From Cap Pos Sensor

Geoph 3&4 Power Switch



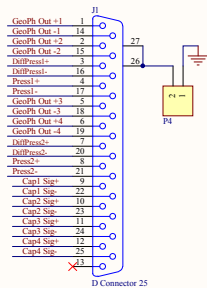
From Geophones 3&4

Geoph 1&2 Power Switch

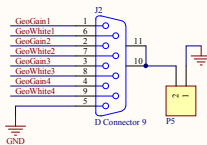


From Geophones 1&2

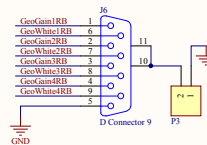
To AA Interface Chassis



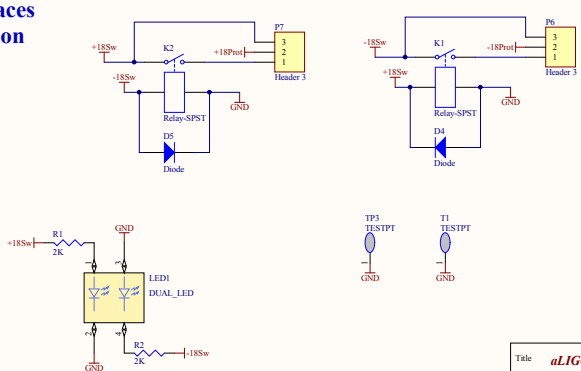
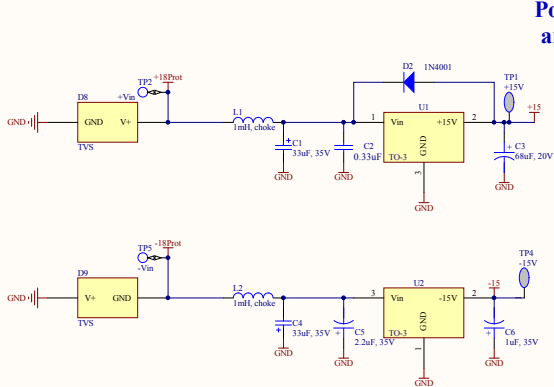
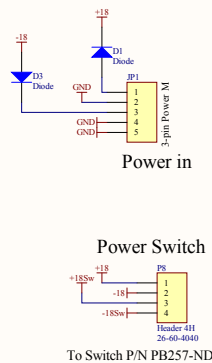
From Binary Out Interface



To Binary In Interface



Power Interfaces and Regulation



Title	aLIGO ISI Interface Back Board		
Size	C	DCC Number	LIGO-D1001975
Drawn by	Ben Abbott	Date	11/2/2010
		Revision	v.1



