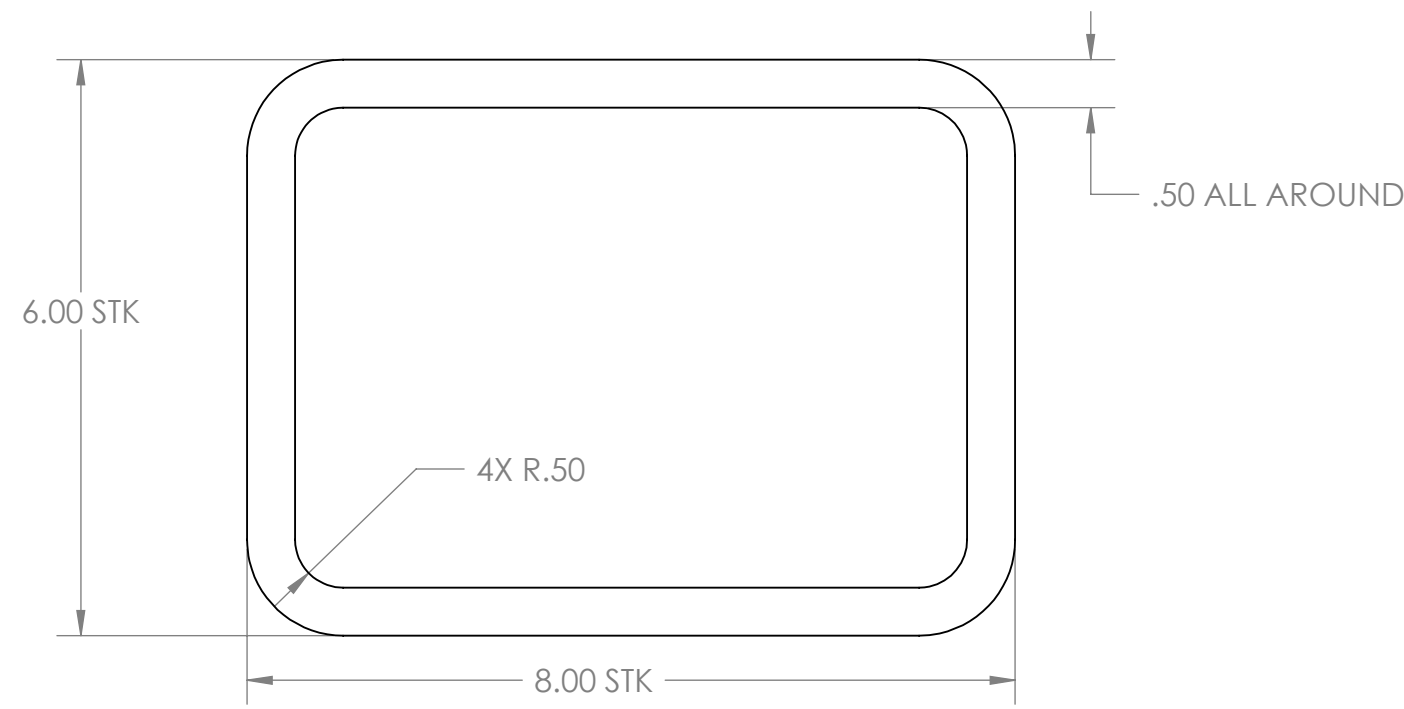
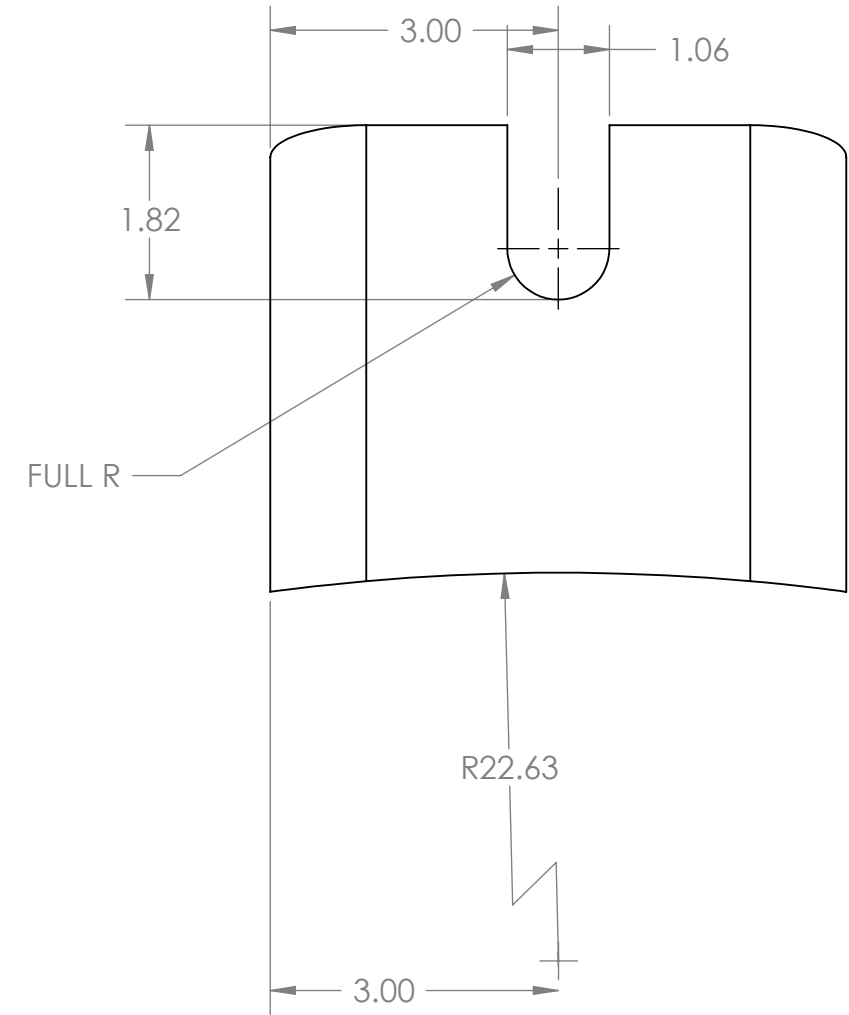
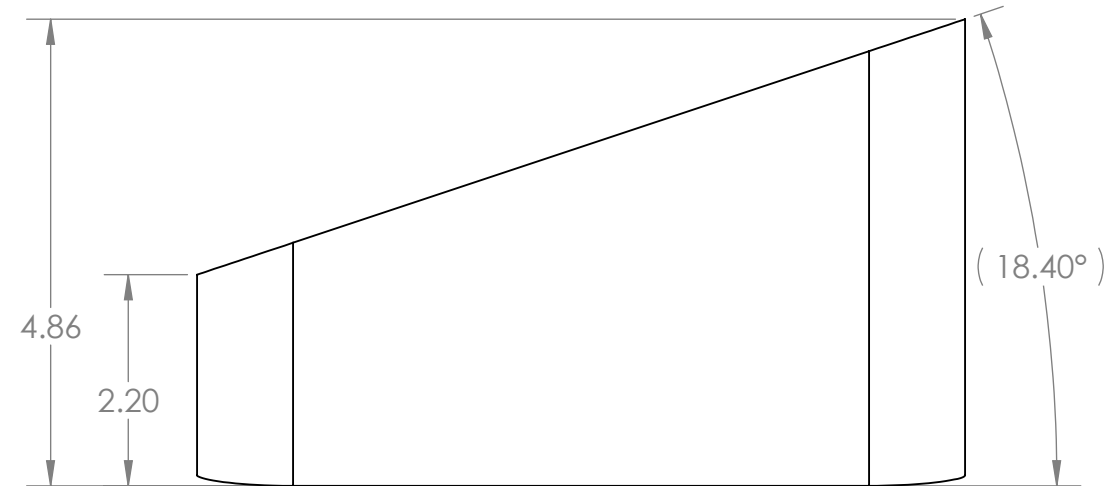


PROPRIETARY AND CONFIDENTIAL
 THE INFORMATION CONTAINED IN THIS
 DRAWING IS THE SOLE PROPERTY OF
 GNB CORPORATION. ANY
 REPRODUCTION IN PART OR AS A WHOLE
 WITHOUT THE WRITTEN PERMISSION OF
 GNB CORPORATION IS PROHIBITED.

REVISIONS				
ZONE	REV.	DESCRIPTION	DATE	APPROVED
	A	RELEASED TO PRODUCTION	8/20/2010	MKM2



DESCRIPTION BEAM, BOX, .50 WALL, 6.00 WD, 8.00 HI, 5.00 LG
 MATERIAL: AISI 304/AISI 304L DUAL CERT PER SA-240

UNLESS OTHERWISE SPECIFIED:
 DIMENSIONS ARE IN INCHES
 TOLERANCES: FINISH 125
 ANGULAR: ± 1°
 .XX ± .03
 .XXX ± .005
 UNSPECIFIED FILLETS: R.015
 BREAK EDGES .010x45°
 REMOVE ALL BURRS

WEIGHT: 12.07#

APPROVALS	DATE
DRAFTER MKM2	6/18/10
CHECKER RW	7/22/10
ENGINEER MKM2	6/18/10

GNB CORPORATION
 SCIENTIFIC AND INDUSTRIAL EQUIPMENT
 3200 DWIGHT RD. SUITE 100
 ELK GROVE, CA, 95758
 916-395-3003 FAX: 916-395-3363
 www.gnbvalves.com

TITLE: MOUNT, TIE ROD, ADAPTER A-17

DO NOT SCALE DRAWING

THIRD ANGLE PROJECTION

DWG. NO. 114226-01S
 SCALE: 1:2 SHEET 1 OF 1
 REV A