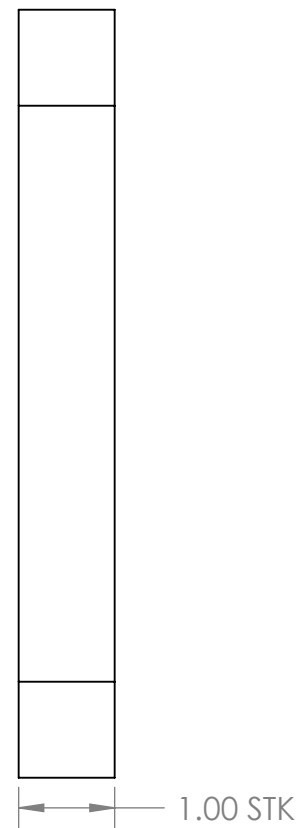
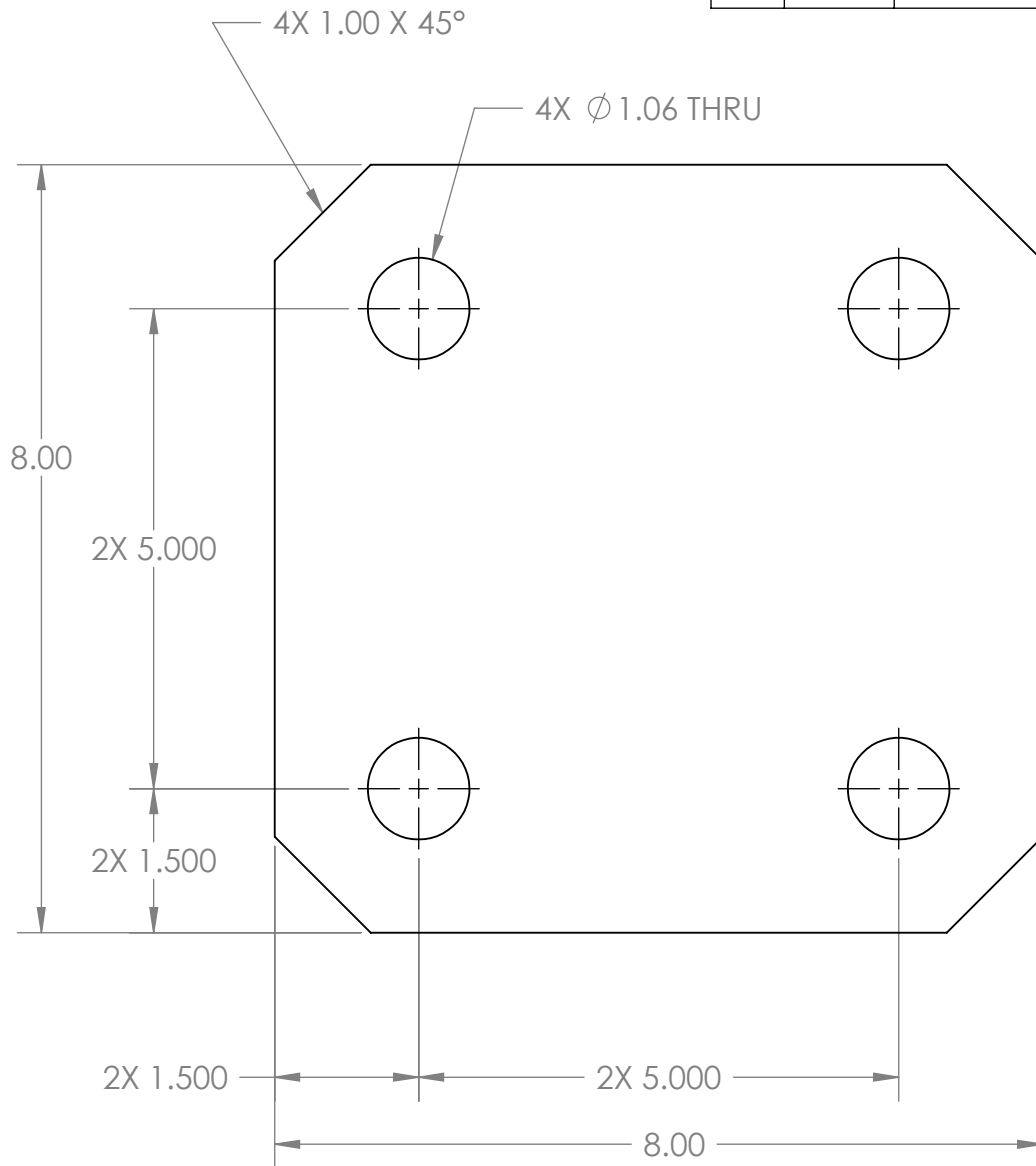


PROPRIETARY AND CONFIDENTIAL
 THE INFORMATION CONTAINED IN THIS
 DRAWING IS THE SOLE PROPERTY OF
 GNB CORPORATION. ANY
 REPRODUCTION IN PART OR AS A WHOLE
 WITHOUT THE WRITTEN PERMISSION OF
 GNB CORPORATION IS PROHIBITED.

REVISIONS				
ZONE	REV.	DESCRIPTION	DATE	APPROVED
	A	RELEASED TO PRODUCTION	8/23/2010	MKM2



DESCRIPTION: PLT. 1.00 THK, 8.00 WD, 8.00 LG

MATERIAL: ASTM A36 Steel

UNLESS OTHERWISE SPECIFIED: WEIGHT: 16.58 #

DIMENSIONS ARE IN INCHES
 TOLERANCES: FINISH
 ANGULAR: ±0°30' 125
 .XX ± .03
 .XXX ± .005
 UNSPECIFIED FILLETS: R.015
 BREAK EDGES .010 x 45°
 REMOVE ALL BURRS

THIRD ANGLE PROJECTION

APPROVALS		
	NAME	DATE
DRAFTER	MKM2	7/30/10
CHECKER		
ENGINEER	MKM2	7/30/10

GNB CORPORATION
 SCIENTIFIC AND INDUSTRIAL EQUIPMENT
 3200 DWIGHT RD. SUITE 100
 ELK GROVE, CA 95758
 916-395-3003 FAX: 916-395-3363
 WWW.GNBVALVES.COM

TITLE: PLATE, FOOT, STAND, A-18

DWG. NO. **A** 114441-00M
 SCALE: 1:2 SHEET 1 OF 1

REV
 A