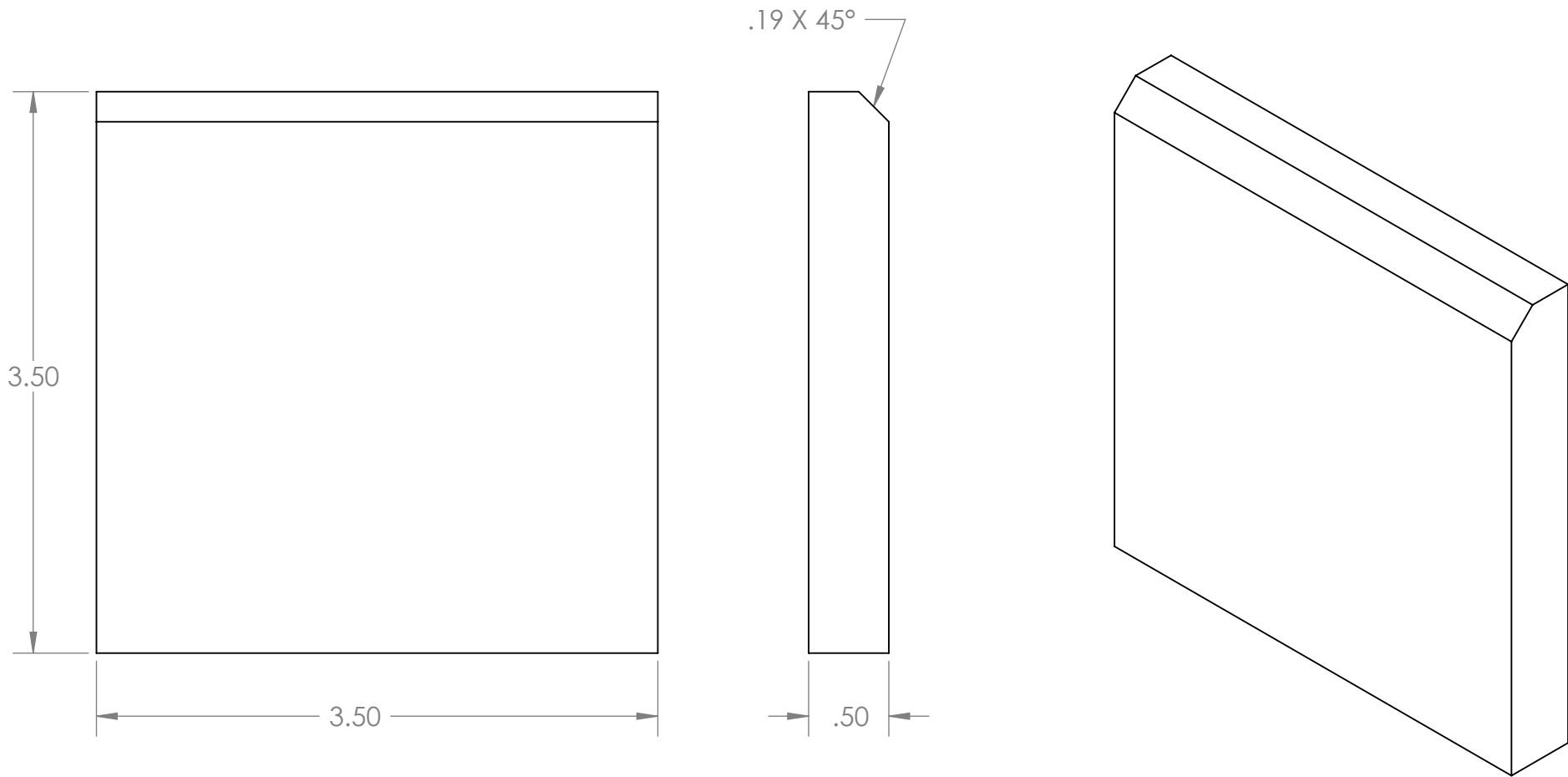


PROPRIETARY AND CONFIDENTIAL
 THE INFORMATION CONTAINED IN THIS
 DRAWING IS THE SOLE PROPERTY OF
 GNB CORPORATION. ANY
 REPRODUCTION IN PART OR AS A WHOLE
 WITHOUT THE WRITTEN PERMISSION OF
 GNB CORPORATION IS PROHIBITED.

ZONE		REV.	DESCRIPTION	REVISIONS	DATE	APPROVED
		A	RELEASED TO PRODUCTION		8/23/2010	MKM2



NOTES:

1. THE FOLLOWING ARE NOT ALLOWED: GRINDING, HONING, LAPPING, POLISHING, BUFFING, SANDING, BLASTING.
2. NO HYDROCARBONS ALLOWED IN THE COOLANT. COOLANT LIMITS AS FOLLOWS
 - a. WATER LEACHABLE CHLORIDES: 100PPM
 - b. TOTAL HALOGENS (INCLUDING CHLORIDES): 1000PPM
 - c. TOTAL SULFUR: 1000PPM
3. DO NOT ALLOW PART TO BE CONTAMINATED BY CARBON STEEL OR IRON CONTACT.
4. MACHINING TO BE IN LINE WITH LIGO SPECIFICATION E0900406, LATEST REVISION.

DESCRIPTION: PLT, .50 THK, 3.50 WD, 3.50 LG		WEIGHT: 1.75 #	
MATERIAL: AISI 304/AISI 304L DUAL CERT PER SA-240		APPROVALS	
UNLESS OTHERWISE SPECIFIED: DIMENSIONS ARE IN INCHES TOLERANCES: FINISH ANGULAR: ±0°30' .XX ± .03 .XXX ± .005 UNSPECIFIED FILLETS: R.015 BREAK EDGES .010 x 45° REMOVE ALL BURRS // ◻ ⊥ WITHIN .03 THIRD ANGLE PROJECTION		NAME	DATE
		DRAFTER MKM2	7/30/10
		CHECKER	
		ENGINEER MKM2	7/30/10
		DO NOT SCALE DRAWING	
		SCIENTIFIC AND INDUSTRIAL EQUIPMENT 3200 DWIGHT RD, SUITE 100 ELK GROVE, CA 95758 916-395-3003 FAX: 916-395-3363 WWW.GNBVALVES.COM	
		TITLE: PLT, SIDE, BRACKET, A-18	
		DWG. NO. A 114446-00S	
		SCALE: 1:1 SHEET 1 OF 1	
		REV A	