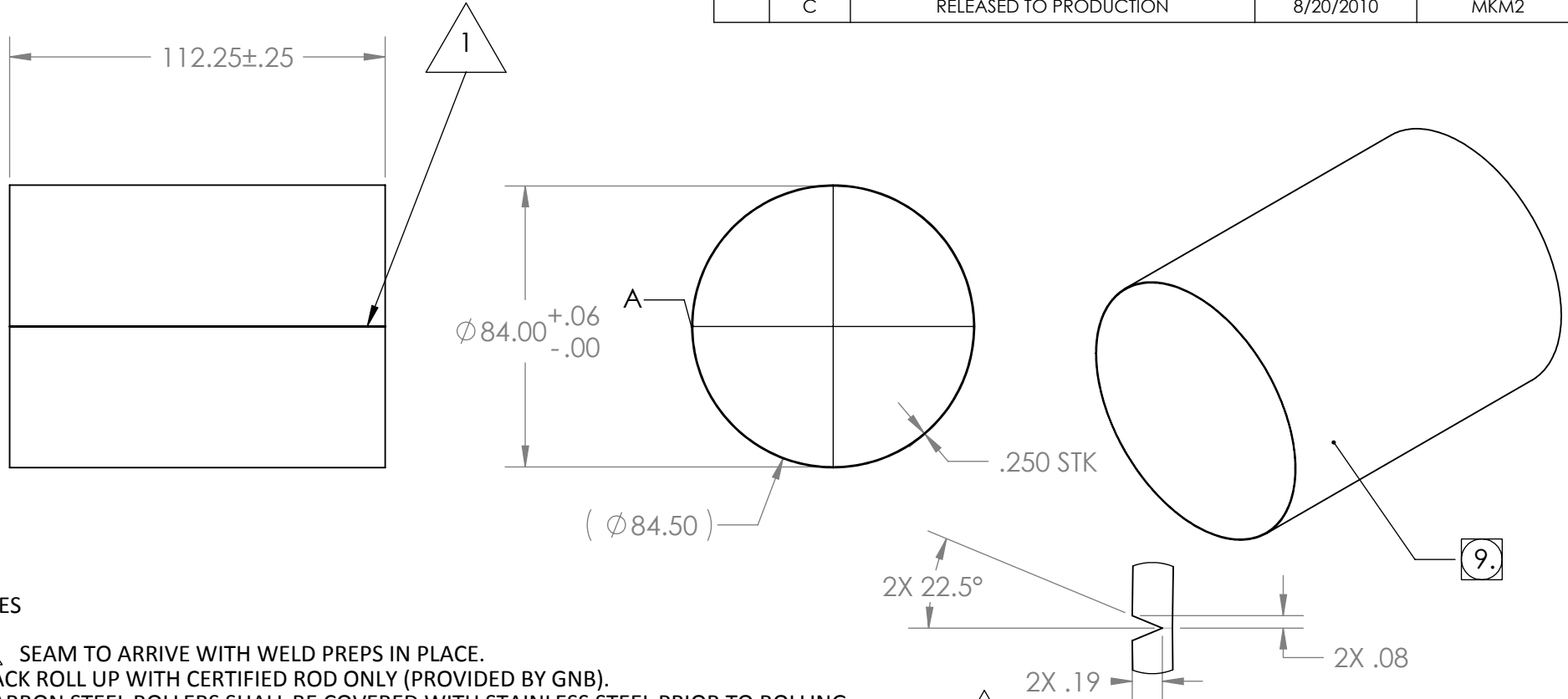


PROPRIETARY AND CONFIDENTIAL
 THE INFORMATION CONTAINED IN THIS
 DRAWING IS THE SOLE PROPERTY OF
 GNB CORPORATION. ANY
 REPRODUCTION IN PART OR AS A WHOLE
 WITHOUT THE WRITTEN PERMISSION OF
 GNB CORPORATION IS PROHIBITED.

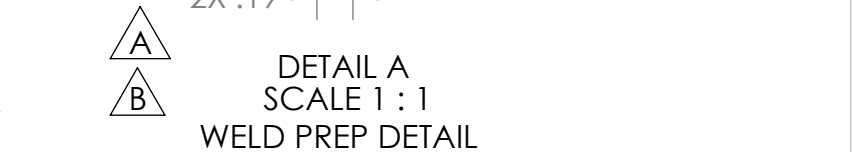
REVISIONS				
ZONE	REV.	DESCRIPTION	DATE	APPROVED
	A	REVISED WELD PREP TO REDUCE HEAT	8/11/2010	MKM2
	B	REVISED WELD PREP PER VENDOR CAPABILITY	8/13/2010	MKM2
	C	RELEASED TO PRODUCTION	8/20/2010	MKM2



NOTES

1. SEAM TO ARRIVE WITH WELD PREPS IN PLACE.
2. TACK ROLL UP WITH CERTIFIED ROD ONLY (PROVIDED BY GNB).
3. CARBON STEEL ROLLERS SHALL BE COVERED WITH STAINLESS STEEL PRIOR TO ROLLING TO PREVENT CONTAMINATION.
4. SEAM EDGES SHALL BE PREWORKED TO ENSURE ROUNDNESS OF THE FINAL CYLINDER.
5. ROLL-UP PLATES MAY HAVE SHEARED EDGES ONLY IF THE SHEARED EDGES ARE THEN RE-CUT WITH A TUNGSTEN CARBIDE TOOL TO REMOVE CONTAMINATION BY THE ROLLING VENDOR. ACCEPTABLE CUTTING METHODS ARE PLASMA, LASER, WATER JET, OR CARBIDE CUTTING.
6. FINAL BEVELS TO BE MADE WITH TUNGSTEN CARBIDE TOOLS ONLY.
7. PLATES AND ROLL-UPS MUST REMAIN PROTECTED FROM CONTACT WITH CARBON STEEL OR OTHER SOURCES OF CONTAMINATION DURING MOVING, WORKING, AND STORAGE. COVER CARBON STEEL WITH SST OR HEAVY PAPER, AND KEEP PLATES AND ROLL-UPS WRAPPED OR COVERED AT ALL TIMES WHEN NOT BEING PROCESSED.
8. A 2"X 12" SAMPLE COUPON MUST BE SUPPLIED FOR EACH HEAT LOT FROM WHICH MATERIAL IS SUPPLIED.

9. ETCH THE HEAT/LOT NUMBER AND PART NUMBER ON THE OUTER SHELL WITH A VIBRATORY TOOL WITH A MINIMUM TIP RADIUS OF .005"



DESCRIPTION: ROLL-UP, .25 WALL, 84" ID, 112.25 LG		MATERIAL: AISI 304/AISI 304L DUAL CERT PER SA-240	
UNLESS OTHERWISE SPECIFIED:		WEIGHT: 2146.23 #	
DIMENSIONS ARE IN INCHES		GNB CORPORATION SCIENTIFIC AND INDUSTRIAL EQUIPMENT 3200 DWIGHT RD, SUITE 100 ELK GROVE, CA 95758 916-395-3003 FAX: 916-395-3363 WWW.GNBVALVES.COM	
TOLERANCES: FINISH			
ANGULAR: ± 10°30'			
.XX ± .03			
.XXX ± .005		APPROVALS	
UNSPECIFIED FILLETS: R.015		NAME	
BREAK EDGES .010 x 45°		DATE	
REMOVE ALL BURRS		DRAFTER MKM2 6/14/10	
// □ ⊥ WITHIN .03		CHECKER RW 6/14/10	
THIRD ANGLE PROJECTION		ENGINEER MKM2 6/14/10	
		DO NOT SCALE DRAWING	
		DWG. NO. A 114203-01S SCALE: 1:48 SHEET 1 OF 1	