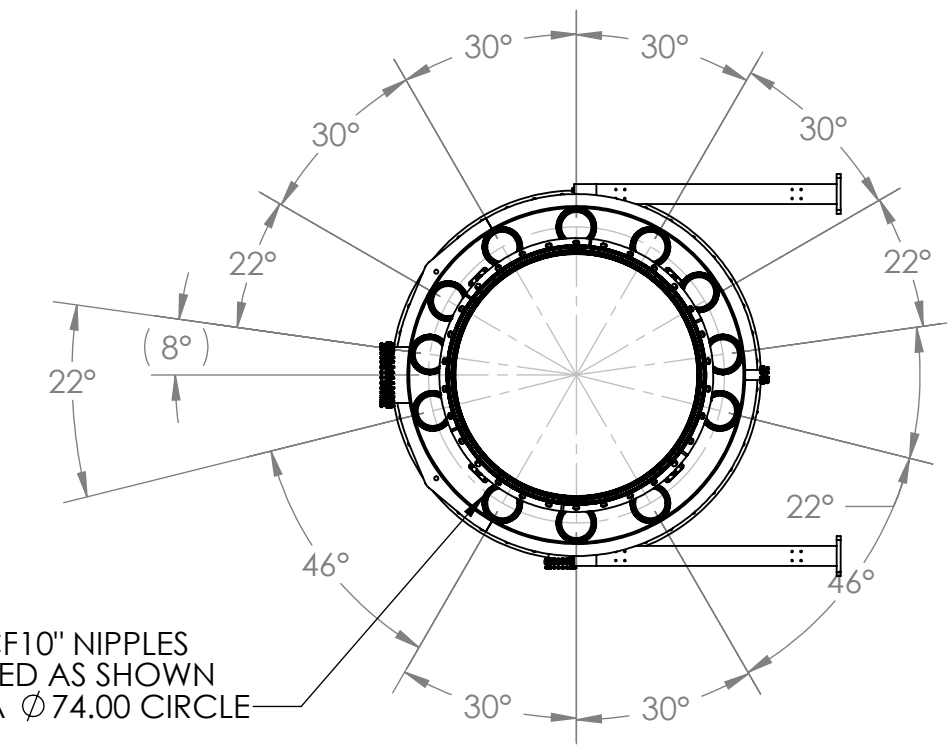
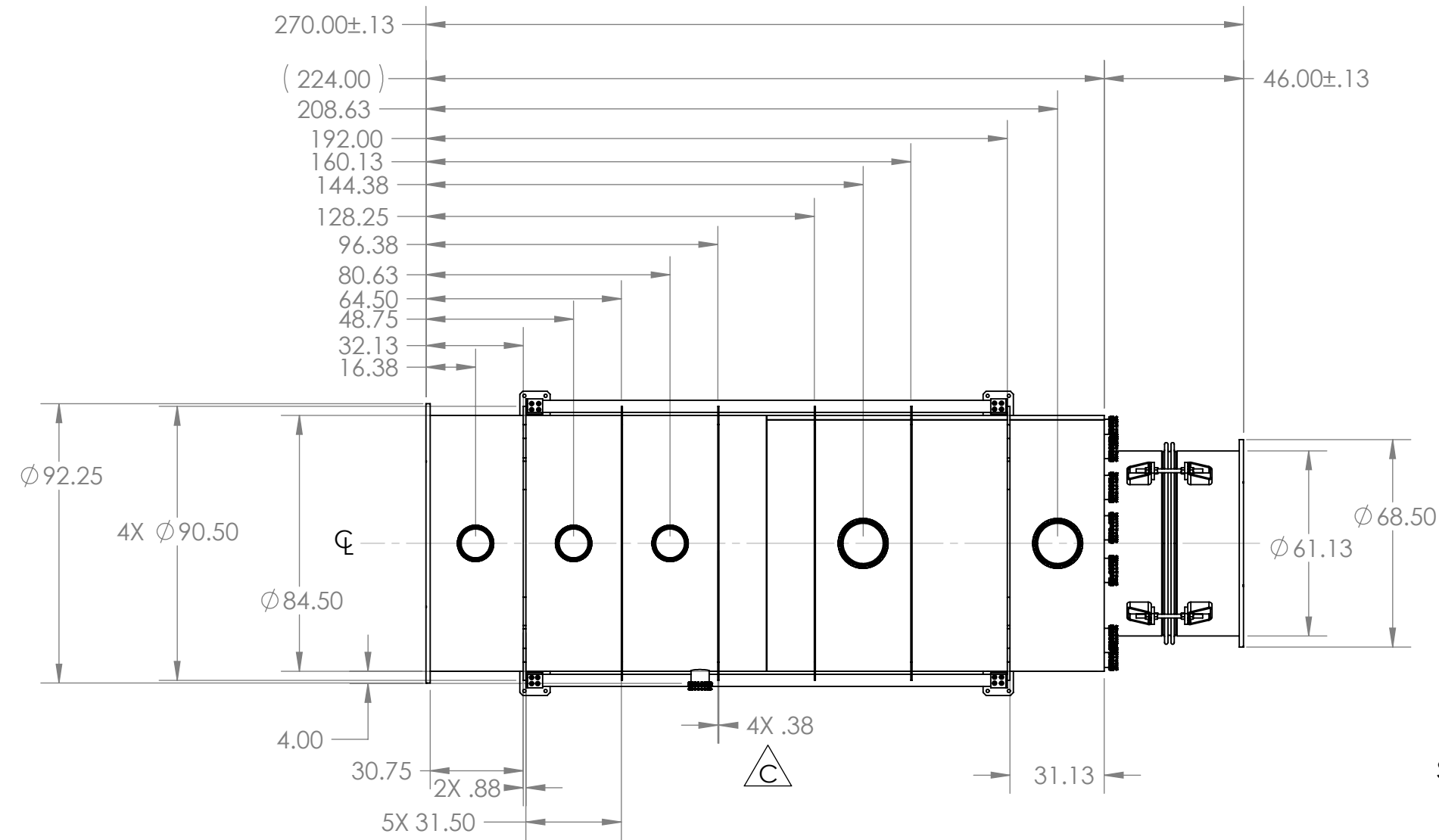
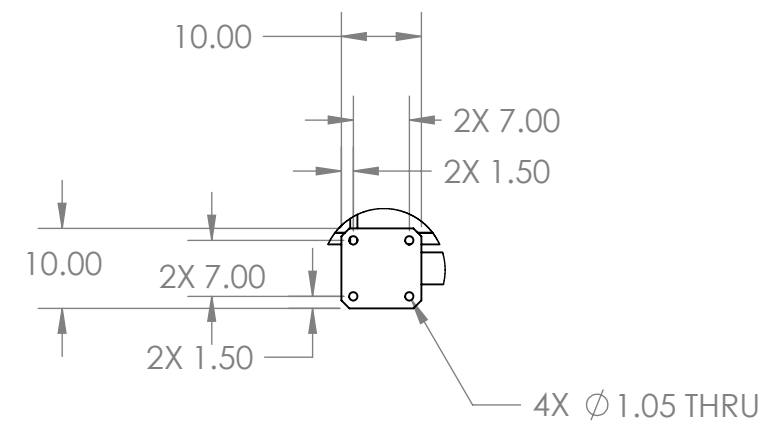
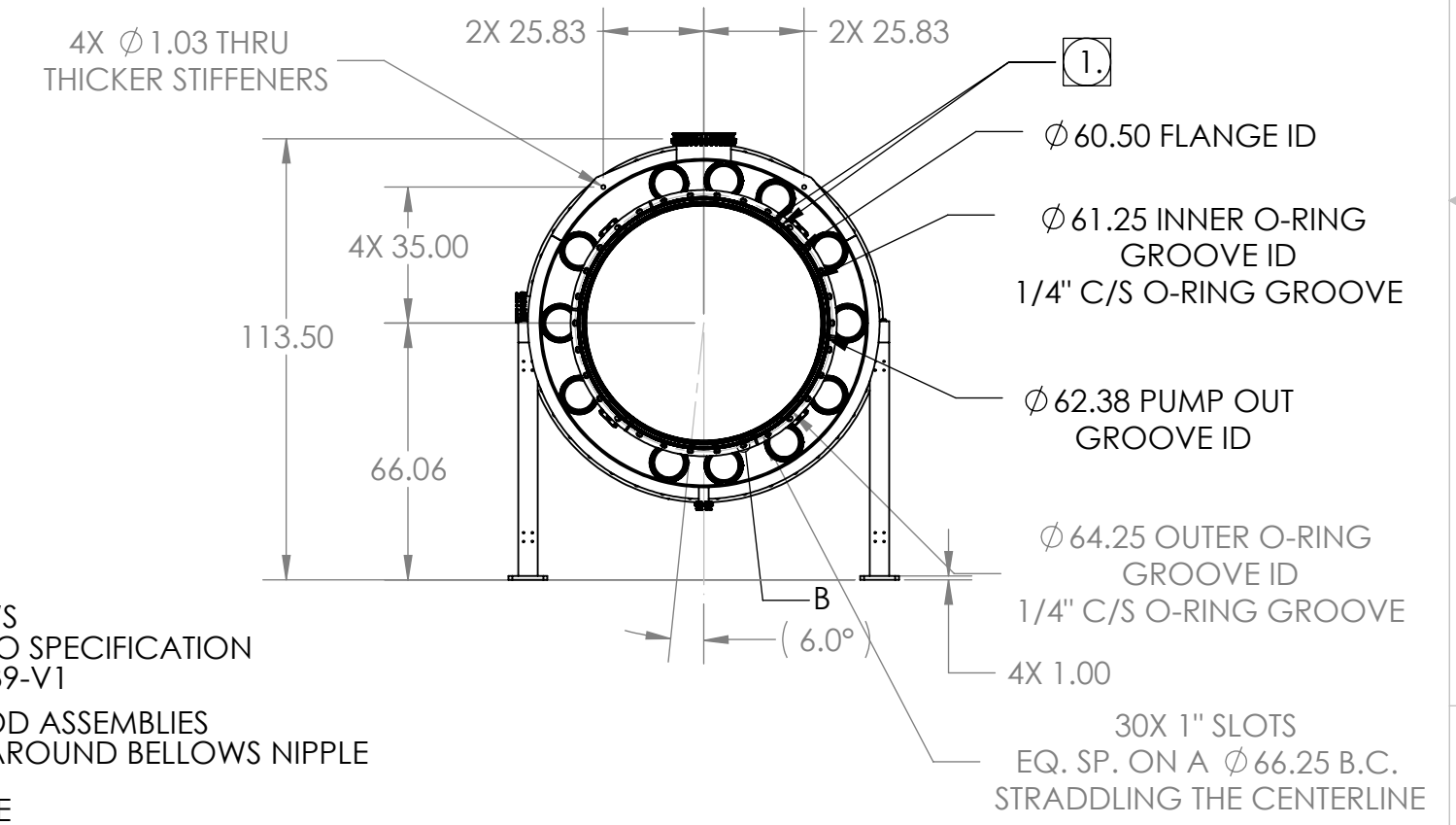
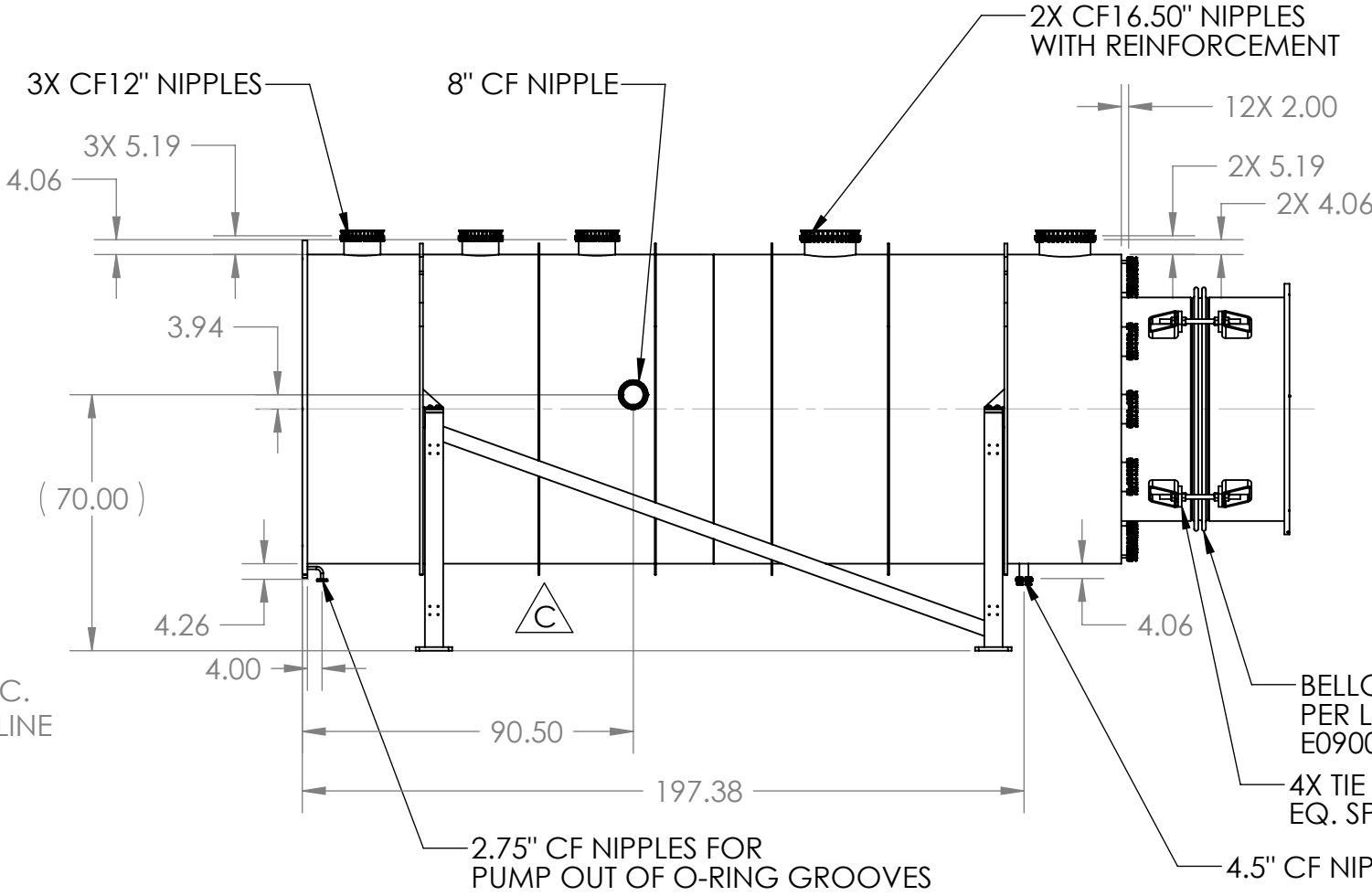
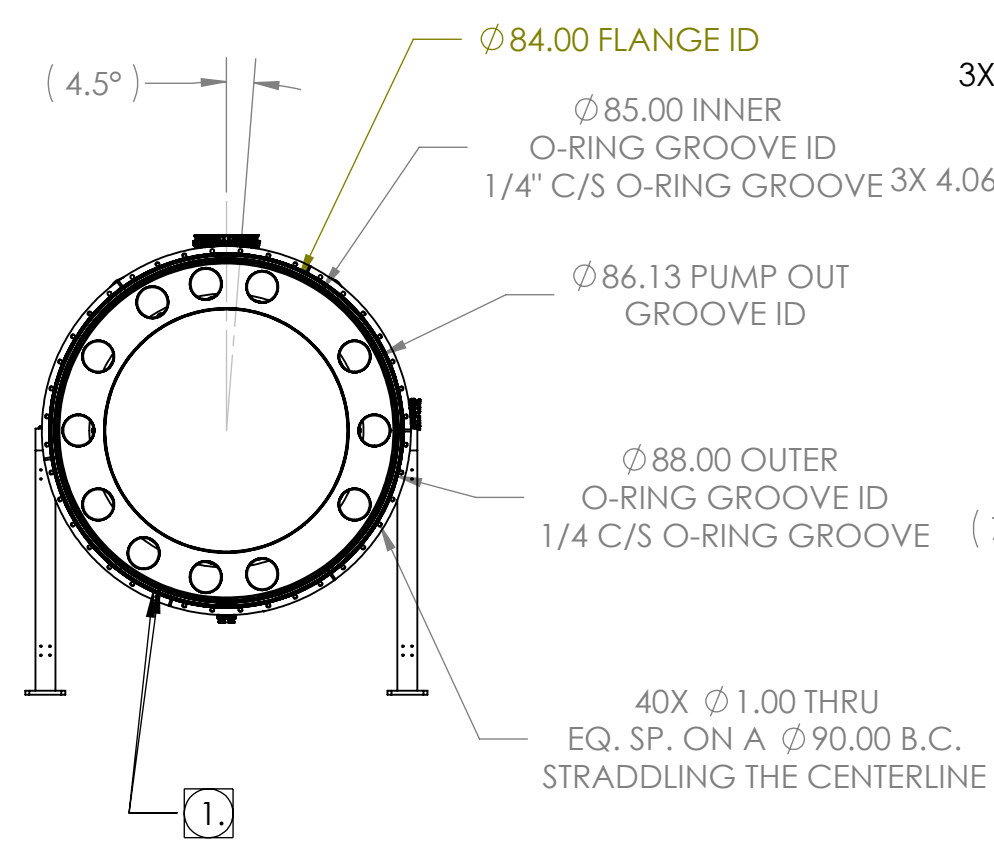


PROPRIETARY AND CONFIDENTIAL  
 THIS DRAWING IS THE SOLE PROPERTY OF  
 GNB CORPORATION. ANY  
 REPRODUCTION IN PART OR AS A WHOLE  
 WITHOUT THE WRITTEN PERMISSION OF  
 GNB CORPORATION IS PROHIBITED.

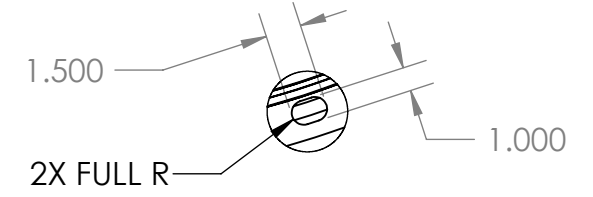
REVISIONS				
ZONE	REV.	DESCRIPTION	DATE	APPROVED
	A	REVISED MODEL TO MATCH CONSTRUCTION MODELS	6/9/10	MKM2
	B	REVISED TITLE BLOCK, GD&T TOLERANCE WAS .010, NOW .03; REMOVED 2.75" OF PUMP OUT PORT	6/24/10	MKM2
	C	ADDED TWO MORE STIFFENERS, REVISED STAND TO MATCH CLARIFIED USE CONDITIONS.	7/2/2010	MKM2
	D	RELEASED TO PRODUCTION	8/24/2010	MKM2



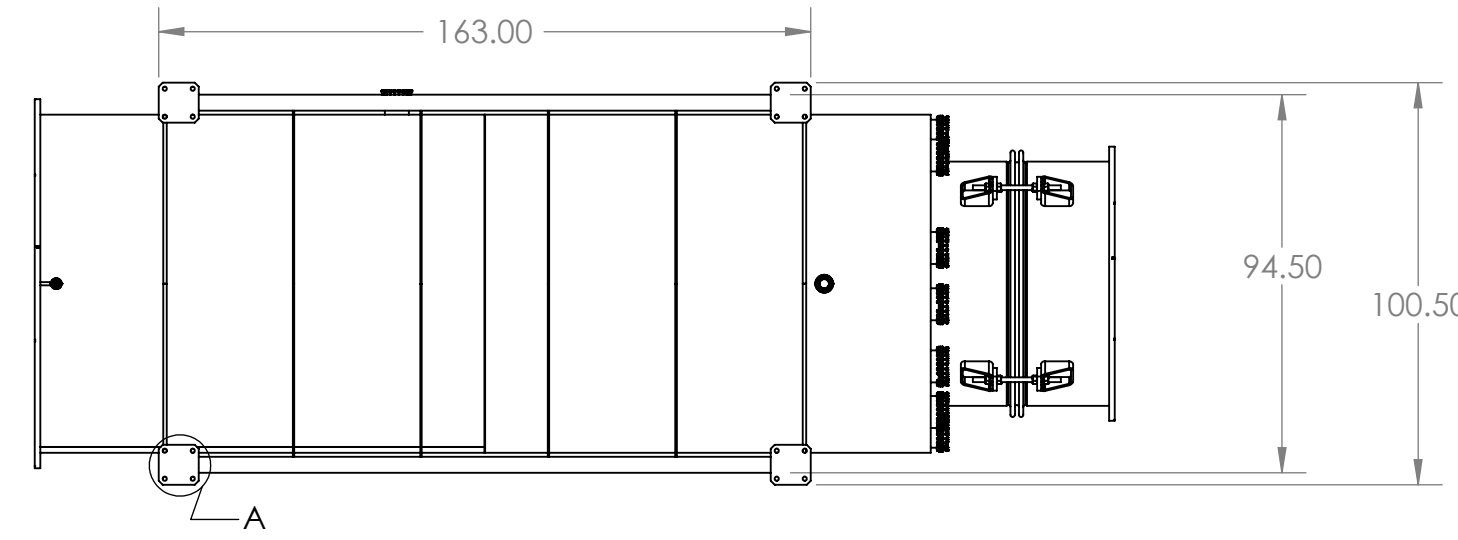
12X CF10" NIPPLES  
 SPACED AS SHOWN  
 ON A Ø74.00 CIRCLE



DETAIL A  
 SCALE 1 : 24  
 STAND FOOT DETAILS  
 FOUR PLACES



DETAIL B  
 SCALE 1 : 8  
 1" SLOT DETAIL  
 30 PLACES



MATERIAL: AISI 304/ AISI 304L DUAL CERT PER SA240  
 WEIGHT: 8988.37#

UNLESS OTHERWISE SPECIFIED: DIMENSIONS ARE IN INCHES TOLERANCES: FINISH	APPROVALS	DATE
ANGULAR: ± 1°	MKM2	6/9/10
.XX ± .06		
.XXX ± .005		
UNSPECIFIED FILLETS: R.015	CHECKER	RW 6/15/10
BREAK EDGES .010x45°	ENGINEER	MKM2 6/9/10
REMOVE ALL BURRS		
// □ ⊥ WITHIN .03		

THIRD ANGLE PROJECTION

**GNB CORPORATION**  
 SCIENTIFIC AND INDUSTRIAL EQUIPMENT  
 3200 DWIGHT RD. SUITE 100  
 ELK GROVE, CA 95758  
 916-395-3003 FAX: 916-395-3363  
 www.gnbvalves.com

TITLE: **OUTLINE, TUBE, MC-B #4**  
 WAMCB4

DO NOT SCALE DRAWING	DWG. NO.	REV
SCALE: 1:48	<b>C</b> 114146-03	D
	SHEET 1 OF 1	

NOTES:  
 1. VACUUM SEALING SURFACE  
 2. ALL CONFLAT FLANGES ARE NON-ROTATABLE AND WITH THRU HOLES.