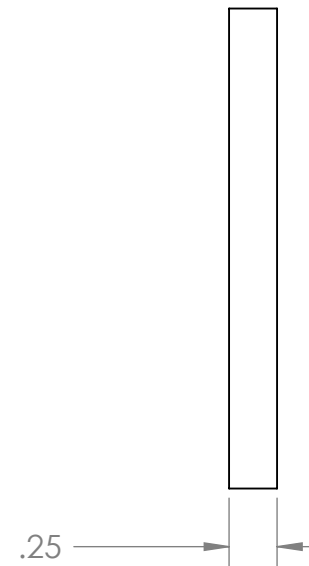
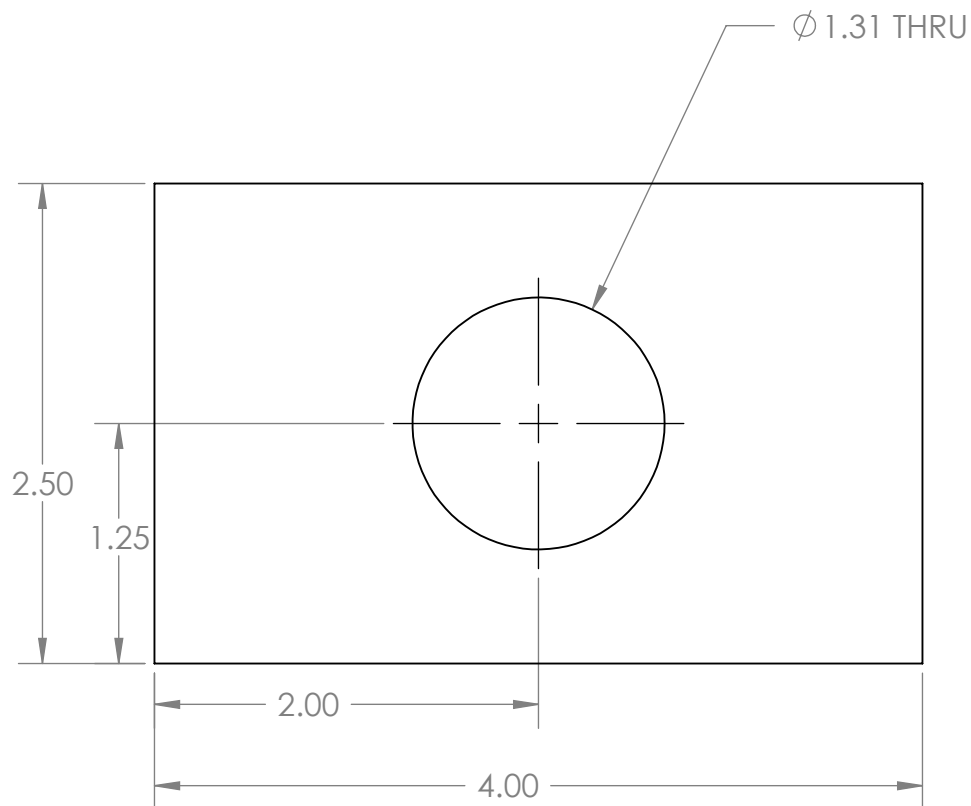




PROPRIETARY AND CONFIDENTIAL
 THE INFORMATION CONTAINED IN THIS
 DRAWING IS THE SOLE PROPERTY OF
 GNB CORPORATION. ANY
 REPRODUCTION IN PART OR AS A WHOLE
 WITHOUT THE WRITTEN PERMISSION OF
 GNB CORPORATION IS PROHIBITED.

REVISIONS				
ZONE	REV.	DESCRIPTION	DATE	APPROVED
	A	RELEASED TO PRODUCTION	8/20/2010	MKM2



DESCRIPTION: PLATE, .25 THK, 2.50 WD, 4.00 LG		 SCIENTIFIC AND INDUSTRIAL EQUIPMENT 3200 DWIGHT RD, SUITE 100 ELK GROVE, CA 95758 916-395-3003 FAX: 916-395-3363 WWW.GNBVALVES.COM															
MATERIAL: AISI 304/AISI 304L DUAL CERT PER SA240																	
UNLESS OTHERWISE SPECIFIED:	WEIGHT: 0.62 #	TITLE: PLATE, BACKING, NUT, SMALL, TIE ROD DWG. NO. A 114233-00S SCALE: 1:1															
DIMENSIONS ARE IN INCHES	<table border="1"> <thead> <tr> <th colspan="3">APPROVALS</th> </tr> <tr> <th></th> <th>NAME</th> <th>DATE</th> </tr> </thead> <tbody> <tr> <td>DRAFTER</td> <td>MKM2</td> <td>6/11/10</td> </tr> <tr> <td>CHECKER</td> <td>RW</td> <td>6/14/10</td> </tr> <tr> <td>ENGINEER</td> <td>MKM2</td> <td>6/11/10</td> </tr> </tbody> </table>		APPROVALS				NAME	DATE	DRAFTER	MKM2	6/11/10	CHECKER	RW	6/14/10	ENGINEER	MKM2	6/11/10
APPROVALS																	
			NAME	DATE													
DRAFTER		MKM2	6/11/10														
CHECKER	RW	6/14/10															
ENGINEER	MKM2	6/11/10															
TOLERANCES: FINISH	THIRD ANGLE PROJECTION 																
ANGULAR: ± 0°30'		DO NOT SCALE DRAWING															
.XX ± .01																	
.XXX ± .005																	
UNSPECIFIED FILLETS: R.015																	
BREAK EDGES .010 x 45°	REMOVED ALL BURRS	SHEET 1 OF 1															
REMOVE ALL BURRS		REV A															