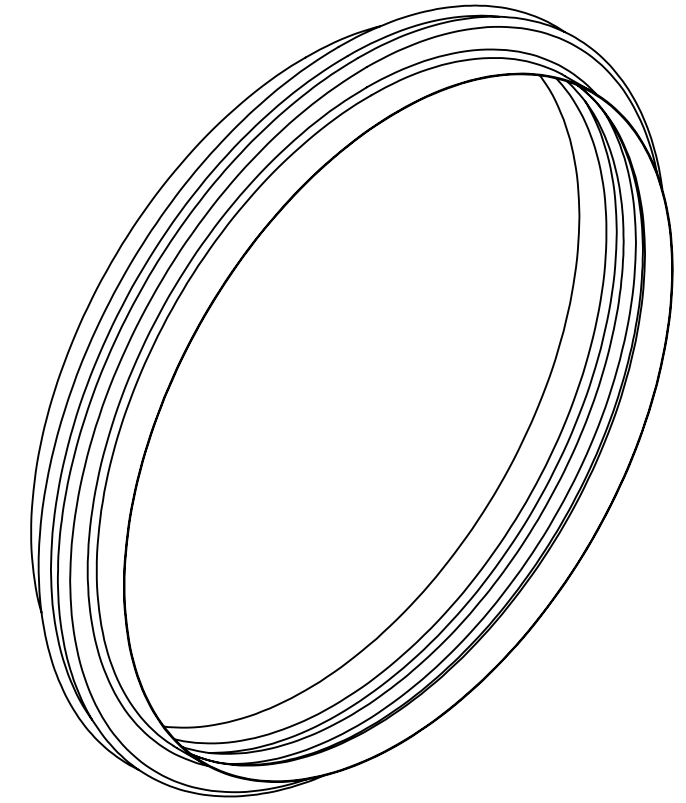
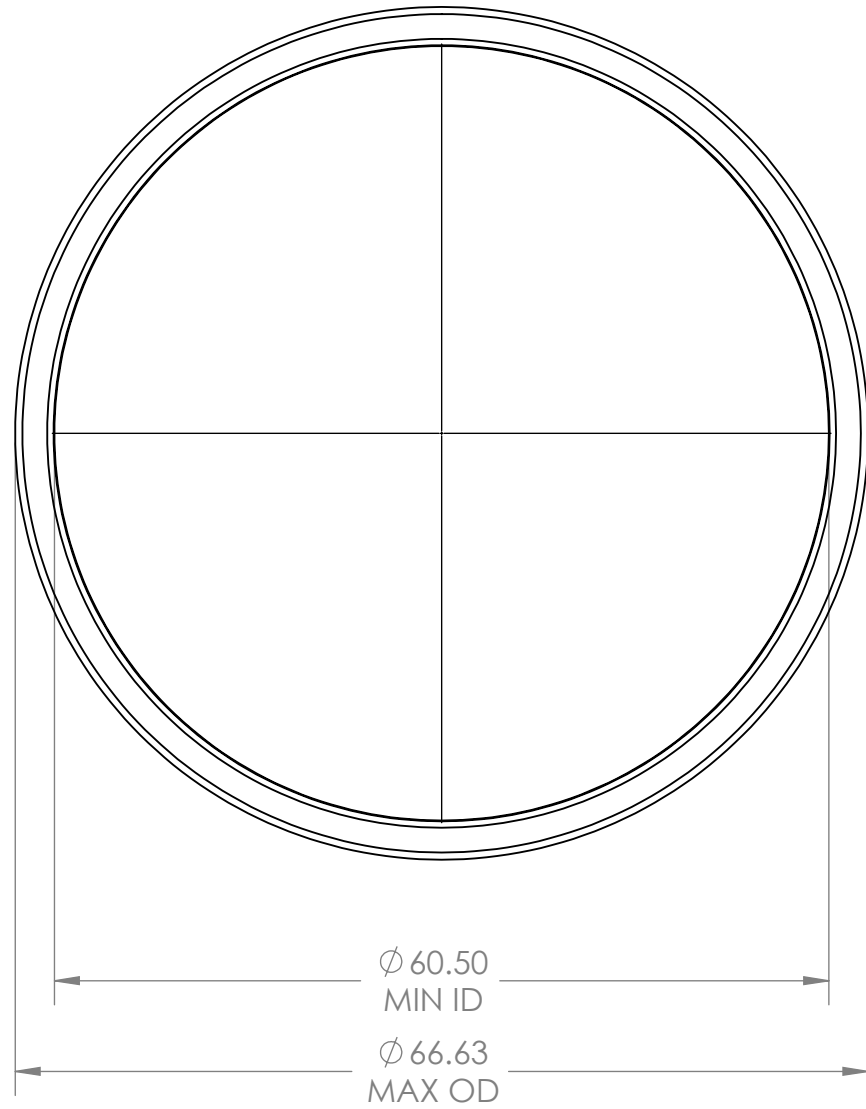
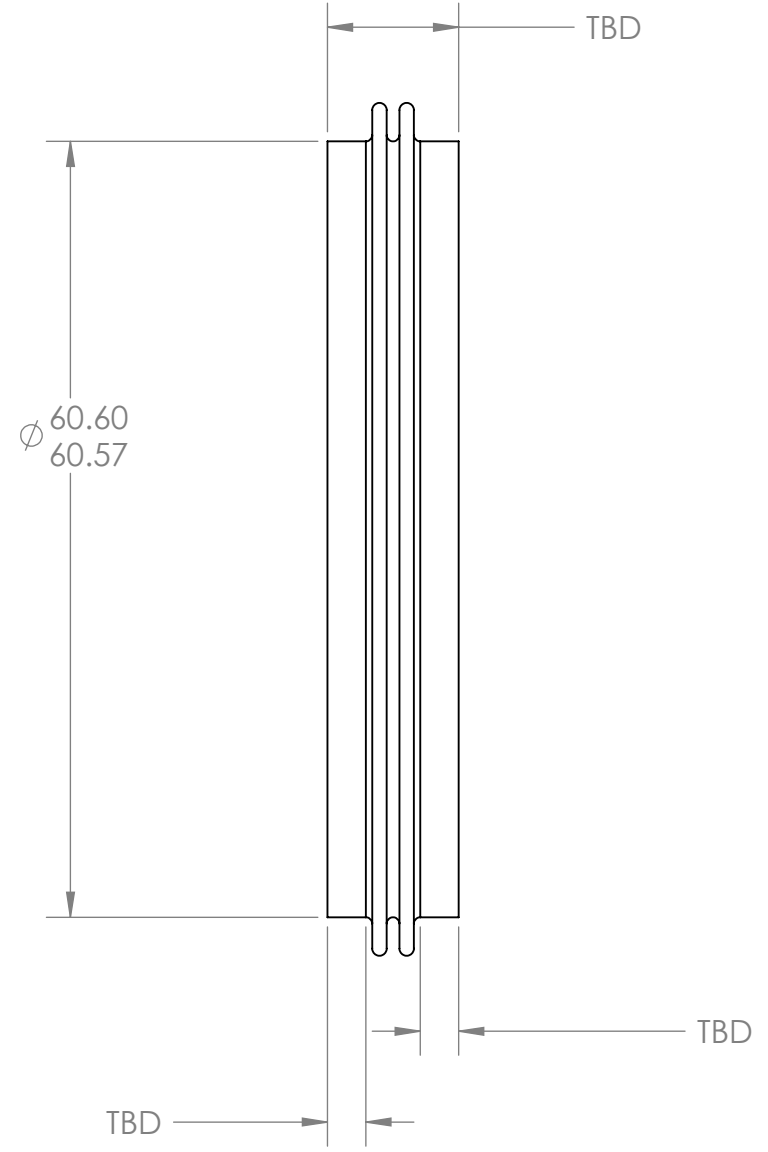


PROPRIETARY AND CONFIDENTIAL
 THE INFORMATION CONTAINED IN THIS
 DRAWING IS THE SOLE PROPERTY OF
 GNB CORPORATION. ANY
 REPRODUCTION IN PART OR AS A WHOLE
 WITHOUT THE WRITTEN PERMISSION OF
 GNB CORPORATION IS PROHIBITED.

REVISIONS				
ZONE	REV.	DESCRIPTION	DATE	APPROVED



- NOTES:**
1. BELLOWS TO EXTEND 1" FROM REST AND RETRACT 3" FROM REST
 2. BELLOWS LIFE TO EXCEED 200 CYCLES
 3. BELLOWS SPRING RATE NOT TO EXCEED 100 POUNDS PER INCH OF CIRCUMFERENCE OF FLANGE ID (19006 LBS)

DESCRIPTION TBD

MATERIAL: AISI 304/AISI 304L DUAL CERT PER SA240

UNLESS OTHERWISE SPECIFIED:
 DIMENSIONS ARE IN INCHES
 TOLERANCES: FINISH 125
 ANGULAR: $\pm 0^{\circ}30'$
 .XX $\pm .01$
 .XXX $\pm .005$
 UNSPECIFIED FILLETS: R.015
 BREAK EDGES .010x45°
 REMOVE ALL BURRS

WEIGHT: 72.66-ESTIMATED#

APPROVALS	DATE
DRAFTER MKM2	6/11/10
CHECKER RWONG	6/11/10
ENGINEER MKM2	6/11/10

///, □, ⊥ WITHIN .03

THIRD ANGLE PROJECTION

GNB CORPORATION
 SCIENTIFIC AND INDUSTRIAL EQUIPMENT
 3200 DWIGHT RD. SUITE 100
 ELK GROVE, CA, 95758
 916-395-3003 FAX: 916-395-3363
 www.gnbvalves.com

TITLE: **BELLOWS, 60.50 ID**

DO NOT SCALE DRAWING

DWG. NO. **B** 114225-00S
 SCALE: 1:15 SHEET 1 OF 1