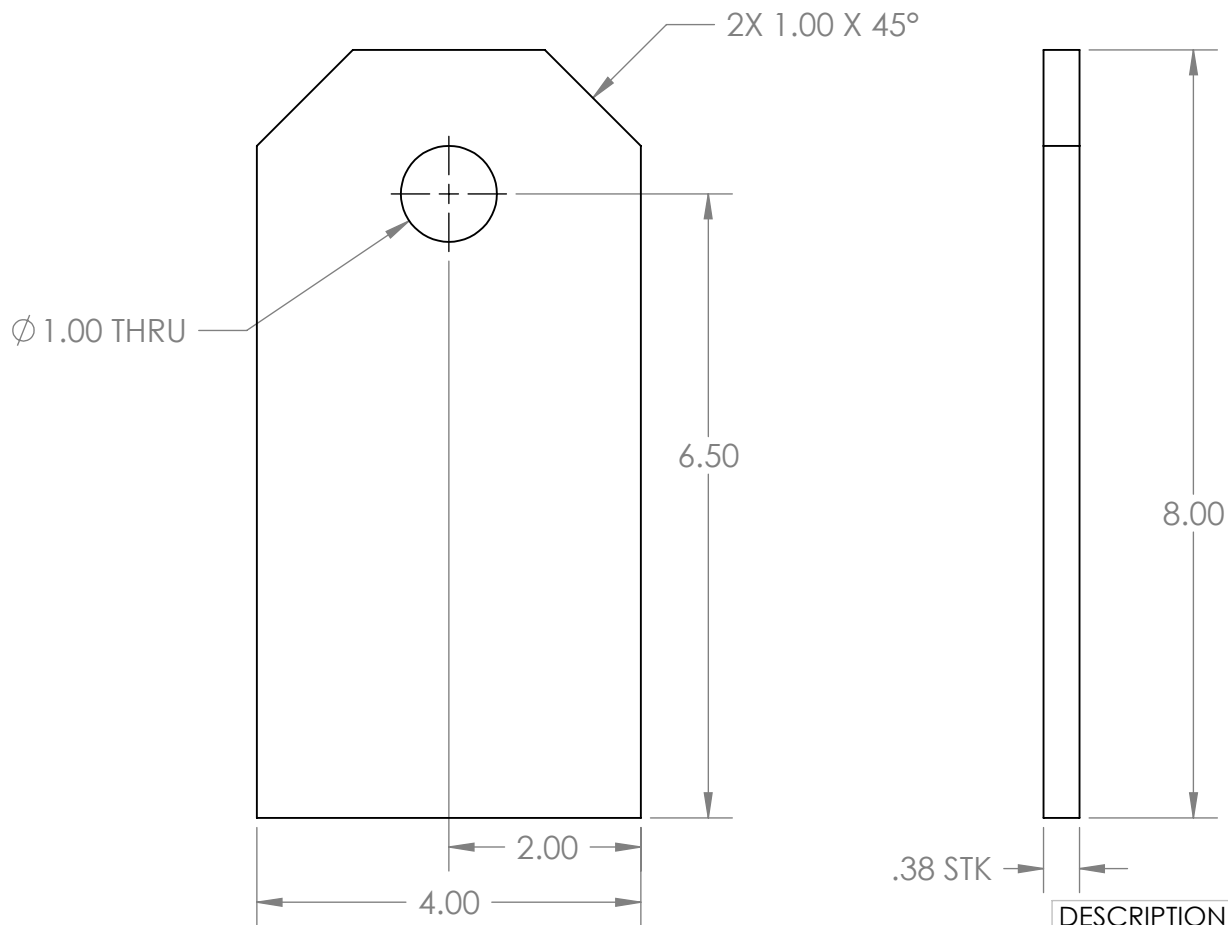


PROPRIETARY AND CONFIDENTIAL  
 THE INFORMATION CONTAINED IN THIS  
 DRAWING IS THE SOLE PROPERTY OF  
 GNB CORPORATION. ANY  
 REPRODUCTION IN PART OR AS A WHOLE  
 WITHOUT THE WRITTEN PERMISSION OF  
 GNB CORPORATION IS PROHIBITED.

REVISIONS

ZONE	REV.	DESCRIPTION	DATE	APPROVED
------	------	-------------	------	----------



DESCRIPTION: PLT, .38 THK, 4.00 WD, 8.00 LG  
 MATERIAL: AISI 304/AISI 304L DUAL CERT PER SA240

UNLESS OTHERWISE SPECIFIED: WEIGHT: 3.27 #

DIMENSIONS ARE IN INCHES  
 TOLERANCES: FINISH 125  
 ANGULAR: ± 1°  
 .XX ± .01  
 .XXX ± .005  
 UNSPECIFIED FILLETS: R.015  
 BREAK EDGES .010 x 45°  
 REMOVE ALL BURRS

// ◊ ⊥ WITHIN .03

THIRD ANGLE PROJECTION



APPROVALS		
	NAME	DATE
DRAFTER	MKM2	6/18/10
CHECKER	RW	7/8/10
ENGINEER	MKM2	6/18/10

DO NOT SCALE DRAWING

**GNB** CORPORATION

SCIENTIFIC AND INDUSTRIAL EQUIPMENT

3200 DWIGHT RD, SUITE 100  
 ELK GROVE, CA 95758  
 916-395-3003 FAX: 916-395-3363  
 WWW.GNBVALVES.COM

TITLE: LIFTING EYE, TIE ROD, LIGO

DWG. NO. **A** 114227-00S

SCALE: 1:2 SHEET 1 OF 1

REV -