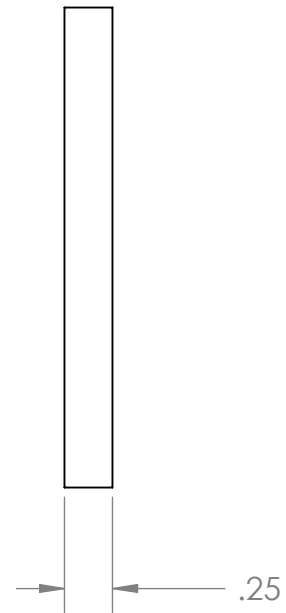
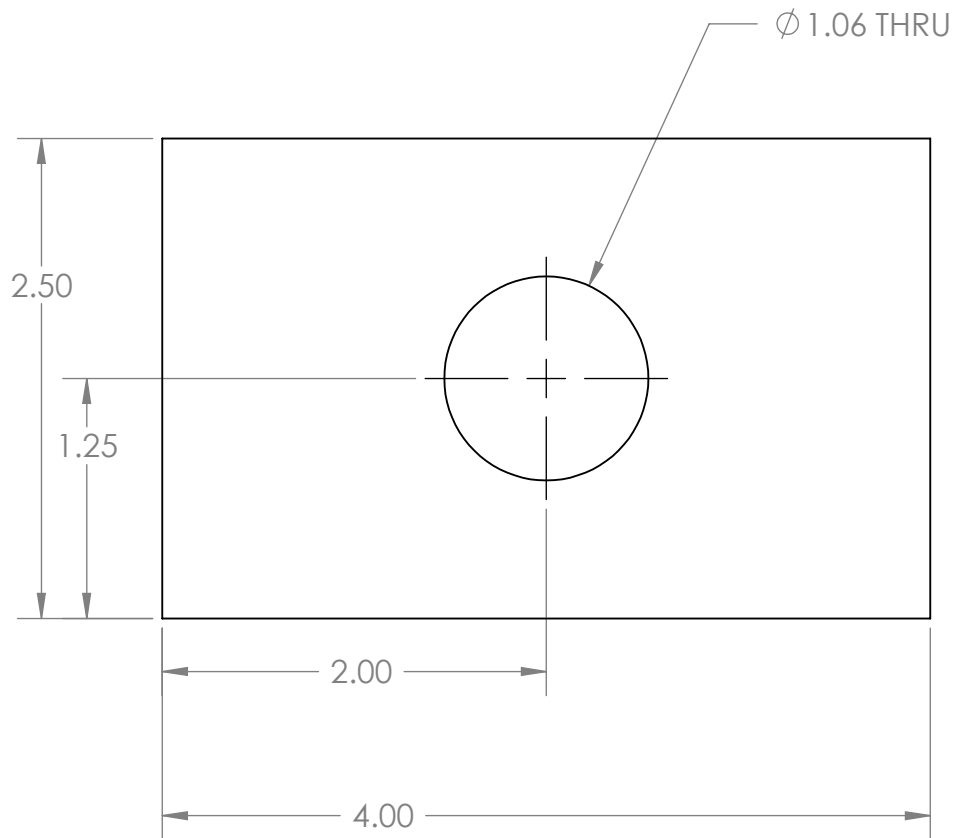


PROPRIETARY AND CONFIDENTIAL
 THE INFORMATION CONTAINED IN THIS
 DRAWING IS THE SOLE PROPERTY OF
 GNB CORPORATION. ANY
 REPRODUCTION IN PART OR AS A WHOLE
 WITHOUT THE WRITTEN PERMISSION OF
 GNB CORPORATION IS PROHIBITED.

REVISIONS				
ZONE	REV.	DESCRIPTION	DATE	APPROVED



DESCRIPTION: PLT, .25 THK, 2.50 WD, 4.00 LG
 MATERIAL: AISI 304/AISI 304L DUAL CERT PER SA240

UNLESS OTHERWISE SPECIFIED: WEIGHT: 0.66 #

DIMENSIONS ARE IN INCHES
 TOLERANCES: FINISH 125
 ANGULAR: ± 1°
 .XX ± .01
 .XXX ± .005
 UNSPECIFIED FILLETS: R.015
 BREAK EDGES .010 x 45°
 REMOVE ALL BURRS

// . □ . ⊥ WITHIN .03

THIRD ANGLE PROJECTION

GNB CORPORATION
 SCIENTIFIC AND INDUSTRIAL EQUIPMENT
 3200 DWIGHT RD, SUITE 100
 ELK GROVE, CA 95758
 916-395-3003 FAX: 916-395-3363
 WWW.GNBVALVES.COM

APPROVALS		
	NAME	DATE
DRAFTER	MKM2	6/16/10
CHECKER	RW	7/9/10
ENGINEER	MKM2	6/16/10

TITLE: PLATE, BACKING, NUT SMALL TIE RODS

DWG. NO. **A** 114233-01S

SCALE: 1:1 SHEET 1 OF 1

DO NOT SCALE DRAWING

REV -