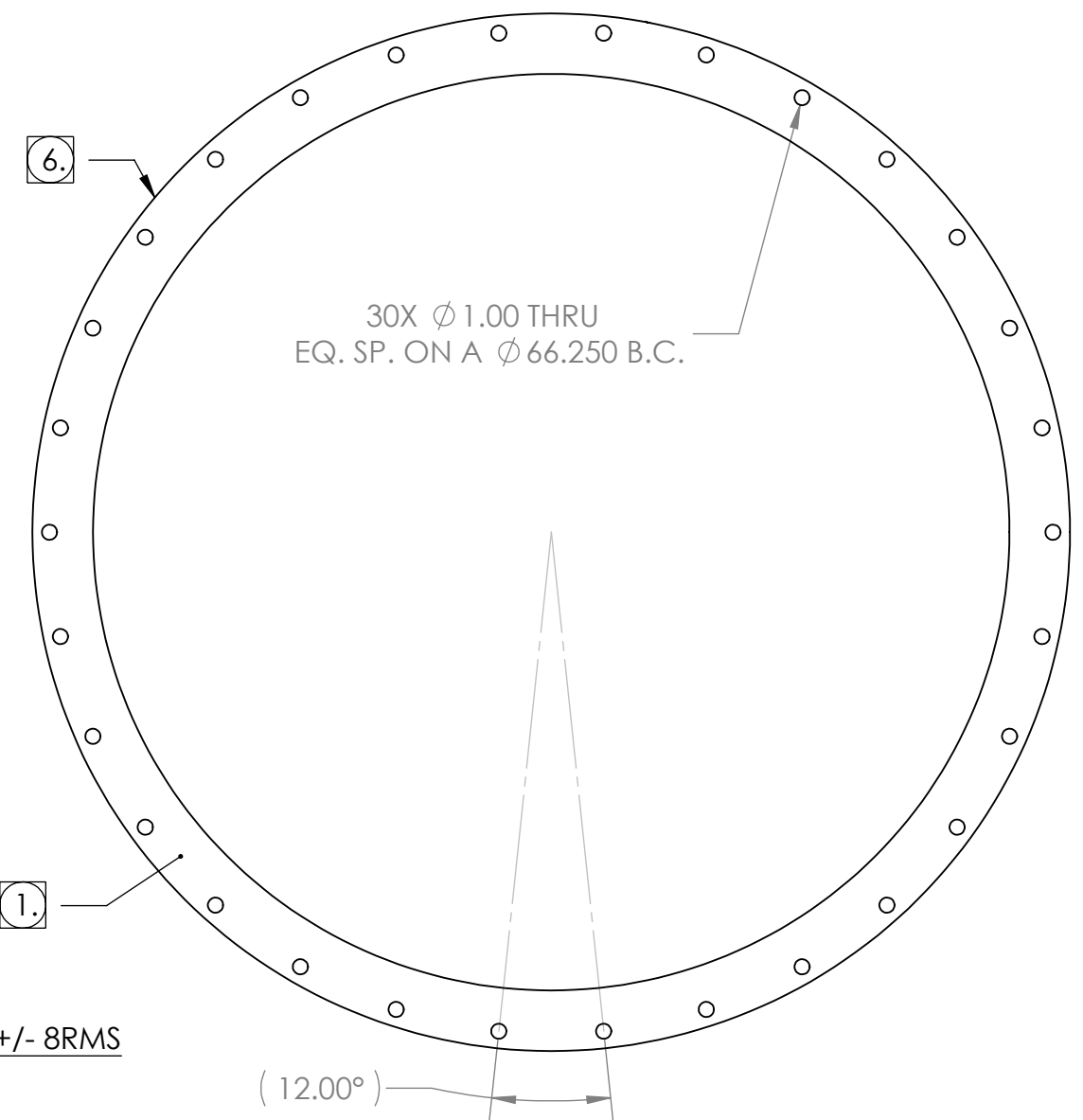
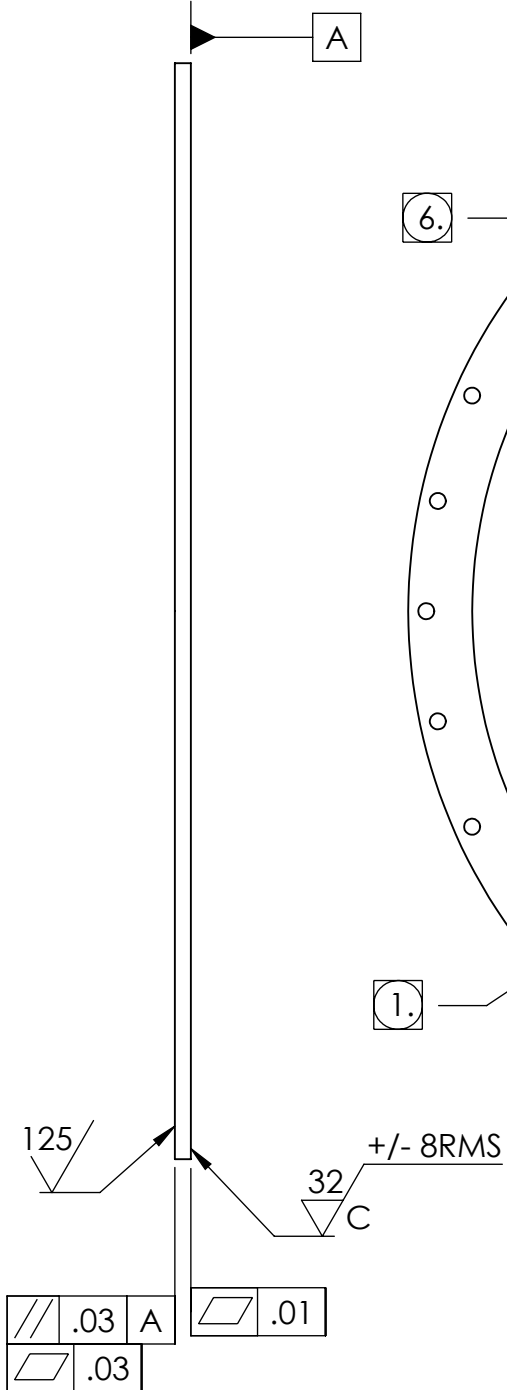
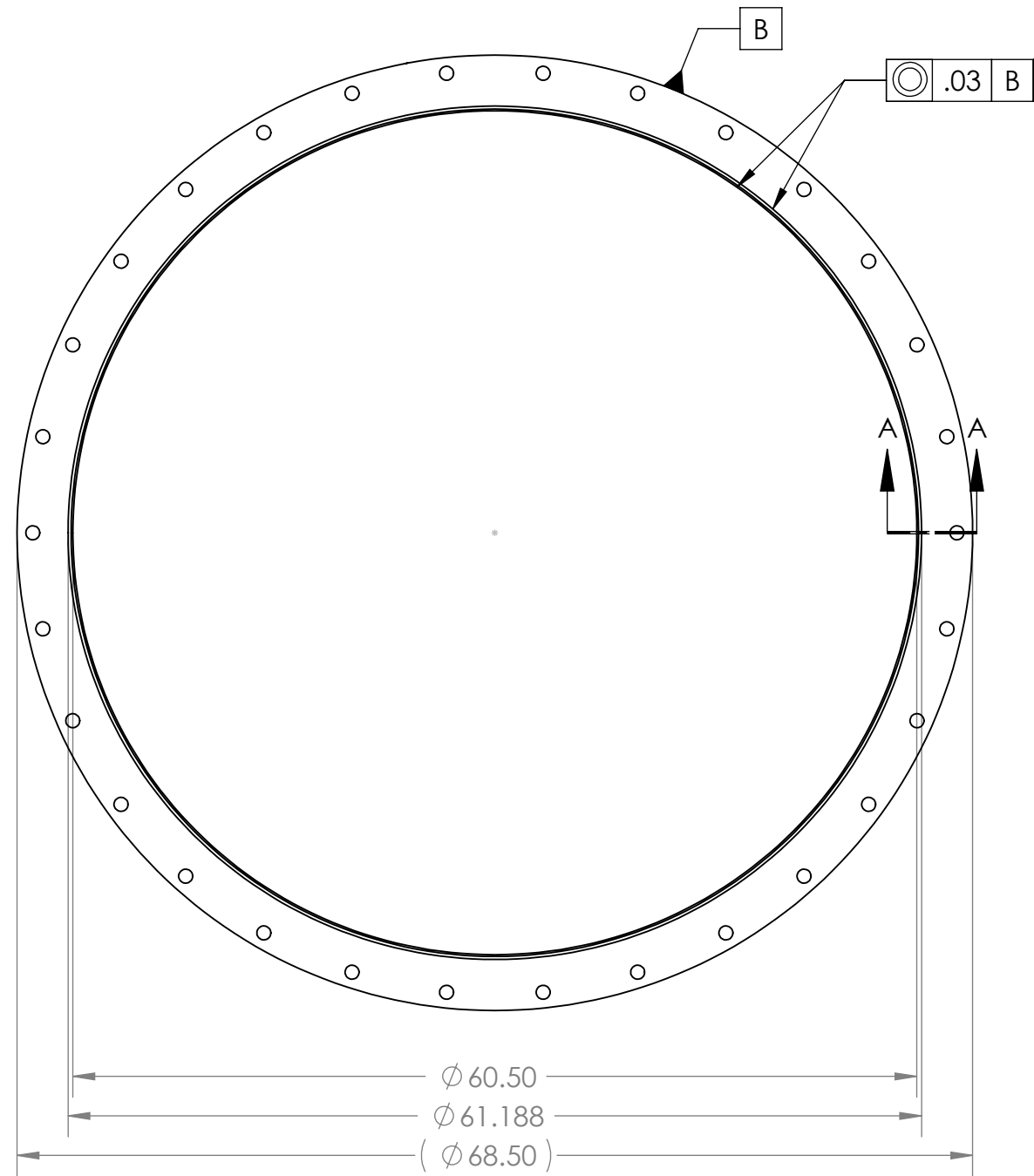
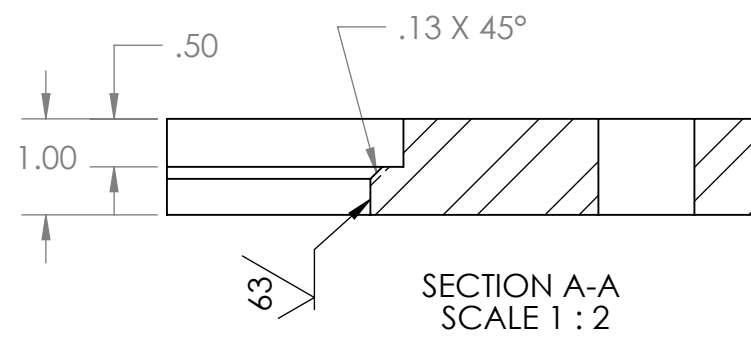


PROPRIETARY AND CONFIDENTIAL  
 THE INFORMATION CONTAINED IN THIS  
 DRAWING IS THE SOLE PROPERTY OF  
 GNB CORPORATION. ANY  
 REPRODUCTION IN PART OR AS A WHOLE  
 WITHOUT THE WRITTEN PERMISSION OF  
 GNB CORPORATION IS PROHIBITED.

ZONE	REV.	DESCRIPTION	REVISIONS	DATE	APPROVED



- NOTES:
- 1. VACUUM SEALING SURFACE
  - 2. THE FOLLOWING ARE NOT ALLOWED: GRINDING, HONING, LAPPING, POLISHING, BUFFING, SANDING, BLASTING.
  - 3. NO HYDROCARBONS ALLOWED IN THE COOLANT. COOLANT LIMITS AS FOLLOWS
    - a. WATER LEACHABLE CHLORIDES: 100PPM
    - b. TOTAL HALOGENS (INCLUDING CHLORIDES): 1000PPM
    - c. TOTAL SULFUR: 1000PPM
  - 4. DO NOT ALLOW PART TO BE CONTAMINATED BY CARBON STEEL OR IRON CONTACT.
  - 5. MACHINING TO BE IN LINE WITH LIGO SPECIFICATION E0900406, LATEST REVISION.
  - 6. DO NOT MACHINE OD OF FORGING; FORGING MANUFACTURER'S NUMBERS TO REMAIN INTACT



ITEM NO.	PART NUMBER	DESCRIPTION	QTY.
1	114259-00S	FORGING, FLANGE, 60.50 ID, 68.50 OD	1

MATERIAL: AISI 304L PER ASME SPEC SA182 GRADE F; MAX SULFUR CONTENT .006%

UNLESS OTHERWISE SPECIFIED:  
 DIMENSIONS ARE IN INCHES  
 TOLERANCES:  
 ANGULAR: ± 0°30'  
 .XX ± .03  
 .XXX ± .005  
 UNSPECIFIED FILLETS: R.015  
 BREAK EDGES .010x45°  
 REMOVE ALL BURRS

WEIGHT: 217.52#

APPROVALS	DATE
DRAFTER MKM2	7/13/10
CHECKER RW	7/22/10
ENGINEER MKM2	7/13/10

TITLE: FLANGE, 60.50 ID, SMOOTH

DO NOT SCALE DRAWING

**GNB CORPORATION**  
 SCIENTIFIC AND INDUSTRIAL EQUIPMENT

3200 DWIGHT RD. SUITE 100  
 ELK GROVE, CA, 95758  
 916-395-3003 FAX: 916-395-3363  
 www.gnbvalves.com

DWG. NO. 114258-00S  
 SCALE: 1:12 SHEET 1 OF 1