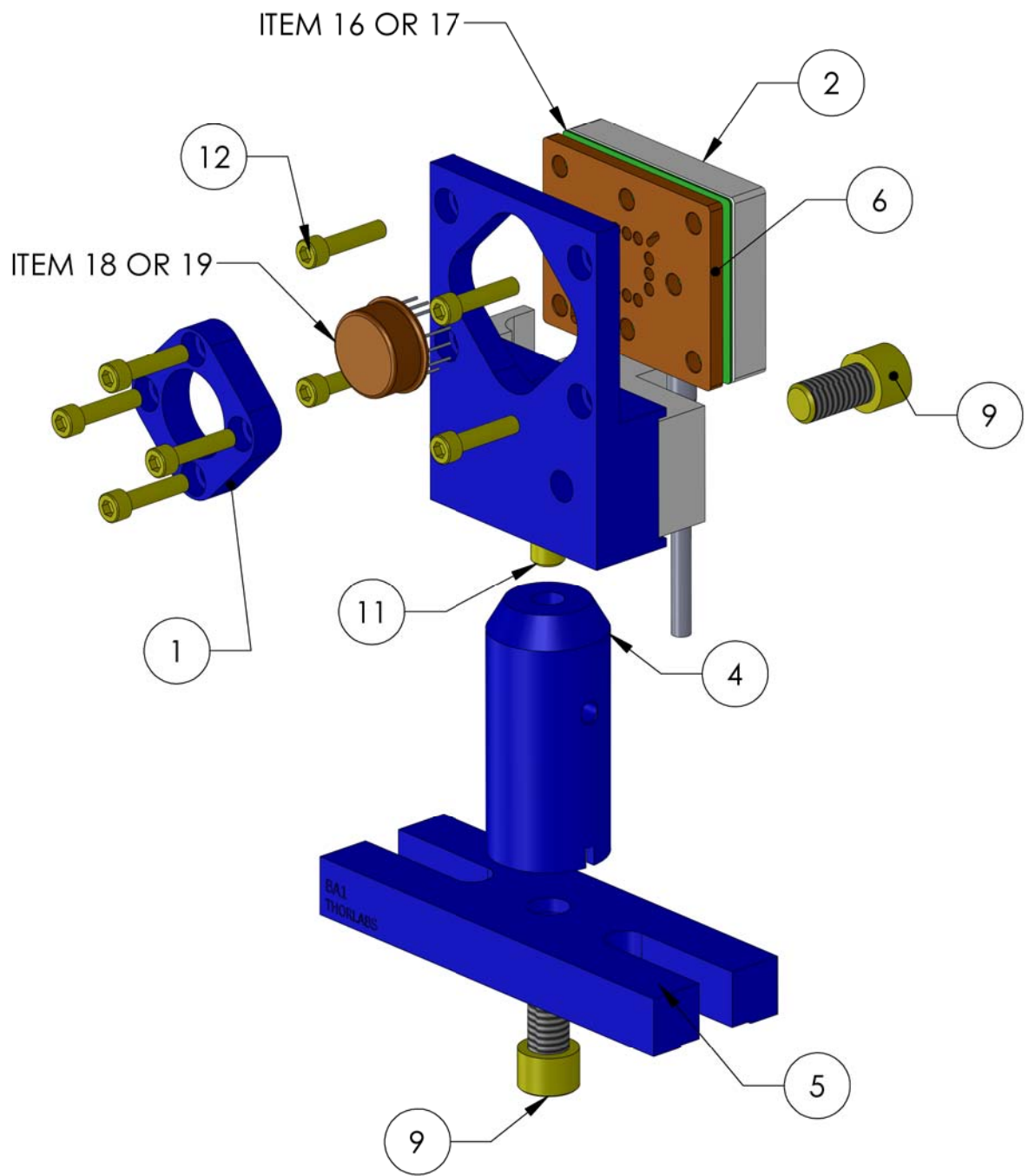


REV.	DATE	DCN #	DRAWING TREE #
v4	7 Oct. 2011	E1101003	E1101004

NOTES:
 1. VENDOR REFERENCES ARE PROVIDED AS EXAMPLES OF PARTS MEETING ALL REQUIRED SPECIFICATIONS. EQUIVALENTS ARE ALWAYS ACCEPTABLE UNLESS OTHERWISE SPECIFIED.
 2. FOR SIMPLICITY ONLY ONE BRANCH OF THE ASSEMBLY SHOWN, ALL QUANTITIES ARE DOUBLE EXCEPT THE CABLE.

D
C
B
A



19	InGaAs-Q3000	DIODE 1064 nm	N/A	1	-	1	-	1	-
18	C30845EH	DIODE 532 nm	N/A	-	1	-	1	-	1
17	D1002602	ISC QPD PCB 1064 nm	N/A	1	-	1	-	1	-
16	D1100521	ISC QPD PCB 532 nm	N/A	-	1	-	1	-	1
15	D1101654	CUSTOM CABLE V25T DUAL QPD ASSY 40" X 40"	N/A	-	-	-	-	1	1
14	D1101624	CUSTOM CABLE V25T DUAL QPD ASSY 68" X 80"	N/A	-	-	1	1	-	-
13	D1000231	CUSTOM CABLE V25T DUAL QPD ASSY 36" X 36"	N/A	1	1	-	-	-	-
12	HOLOKROME_72022	SCREW SHCS, 4-40 X 1/5 LG	18-8 SSTL	8	8	8	8	8	8
11	T-2008	SET SCREW 1/4-20 X 1/2 LG CUP POINT, VENTED	18-8 SSTL	1	1	1	1	1	1
10	HOLOKROME_72056	SCREW SHCS, 8-32 X 1/2 LG.	18-8 SSTL	2	2	2	2	2	2
9	UCC_C-2008-NA	SHCS, 1/4-20 x .50 AG PLATED	18-8 SSTL	2	2	2	2	2	2
8	D1101910	αLIGO ISC, MOUNT STRAIN RELIEF	PEEK	1	1	1	1	1	1
7	D1101911	αLIGO ISC, QPD STRAIN RELIEF CLAMP	PEEK	1	1	1	1	1	1
6	D1002603	ISC QPD FRONT - ALUMINA	CERAMIC	1	1	1	1	1	1
5	D1002059	ISC MOUNTING BASE - DOUBLE	6061-T6 Al	1	1	1	1	1	1
4	D1001116	ISC Short Mounting Post	6061-T6 Al	1	1	1	1	1	1
3	D1002110	ISC QPD Housing	6061-T6 Al	1	1	1	1	1	1
2	D1002601	ISC QPD BACK - PEEK	PEEK	1	1	1	1	1	1
1	D1002172	ISC QPD HOUSING - Retainer	6061-T6 Al	1	1	1	1	1	1
ITEM NO.	PART NUMBER	DESCRIPTION	MATERIAL	-01	-02	-03	-04	-05	-06

NOTES AND TOLERANCES: (UNLESS OTHERWISE SPECIFIED)

DIMENSIONS ARE IN INCHES
 TOLERANCES:
 .XX ± N/A
 .XXX ± N/A
 ANGULAR ± .5°

MATERIAL: N/A FINISH: N/A μinch

LIGO CALIFORNIA INSTITUTE OF TECHNOLOGY
 MASSACHUSETTS INSTITUTE OF TECHNOLOGY

SYSTEM: ADVANCED LIGO SUB-SYSTEM: ISC

PART NAME: ISC QPD MOUNT ASSEMBLY

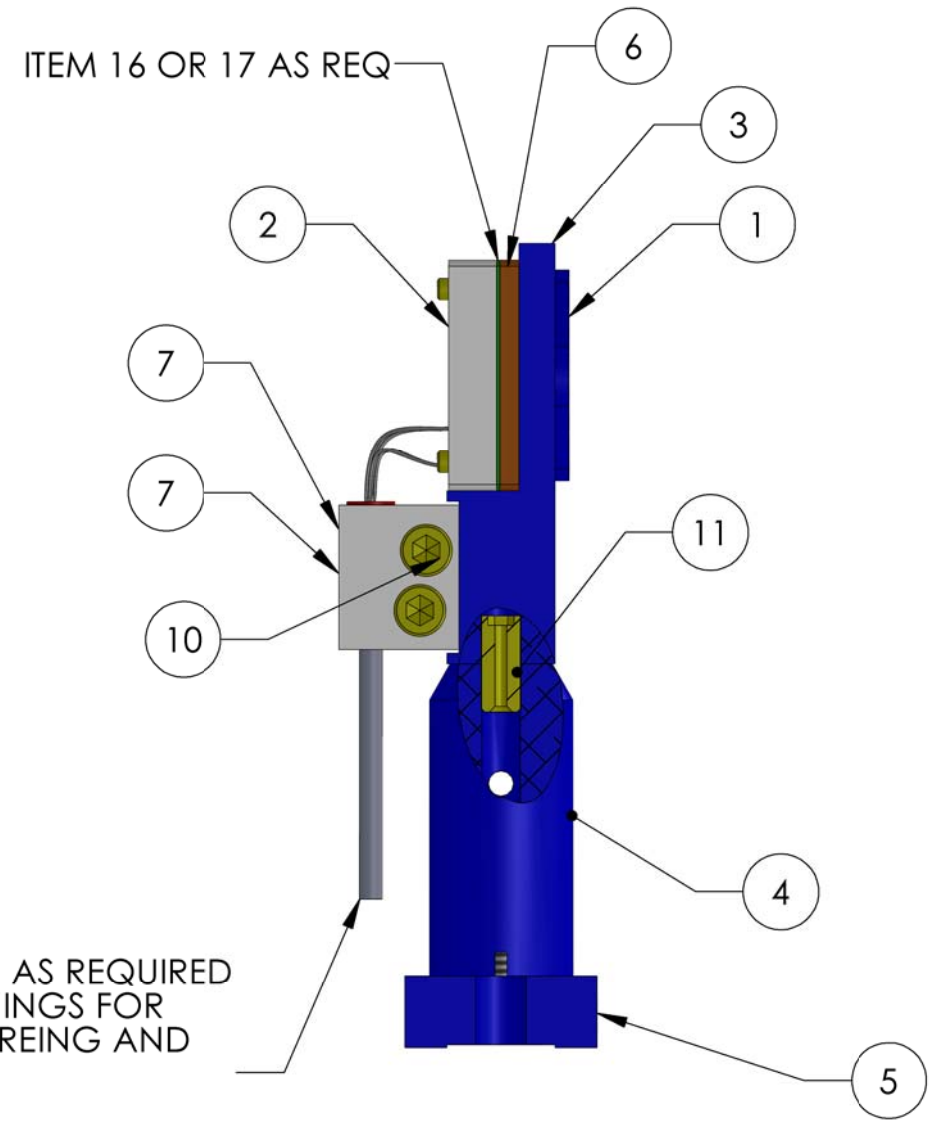
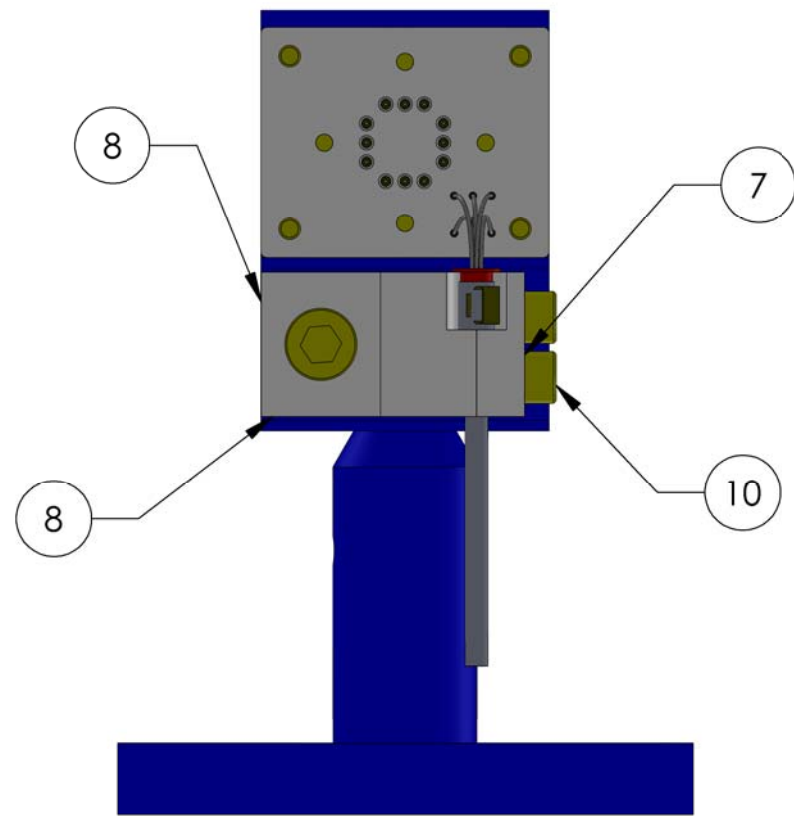
DESIGNER: J. FISHER 18 AUG 2010 SIZE: B DWG. NO.: D1002106 REV.: v4
 DRAFTER: P.FRITSCHEL 7 Oct. 2011
 CHECKER: P.FRITSCHEL 7 Oct. 2011
 APPROVAL: P.FRITSCHEL 7 Oct. 2011


SCALE: 1:1 PROJECTION: SHEET 1 OF 2

D1002106_ISC_QPD_Mount_Assembly, PART PDM REV: X-048, DRAWING PDM REV: X-006

8 7 6 5 4 3 2 1

D1002106_ISC_QPD_Mount_Assembly, PART PDM REV: X-048, DRAWING PDM REV: X-006



 CALIFORNIA INSTITUTE OF TECHNOLOGY MASSACHUSETTS INSTITUTE OF TECHNOLOGY		
SIZE	DWG. NO.	REV.
B	D1002106-01	v4
SCALE: 1:2	PROJECTION:	SHEET 2 OF 2