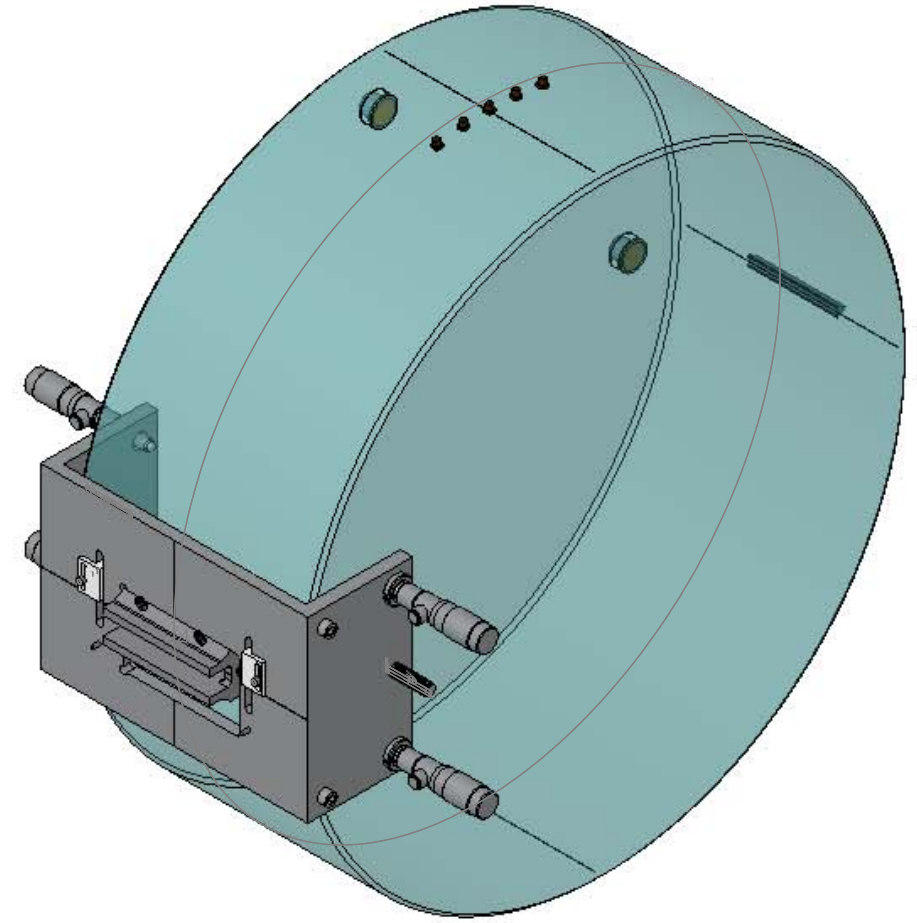
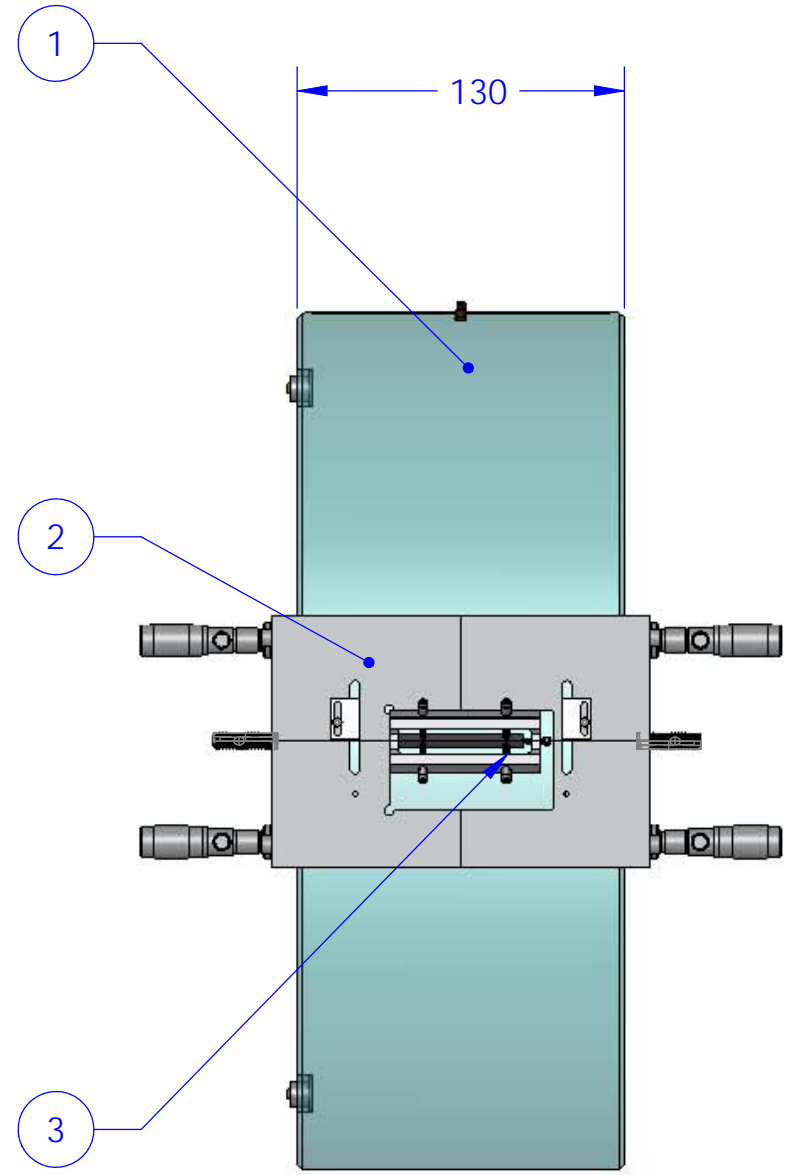
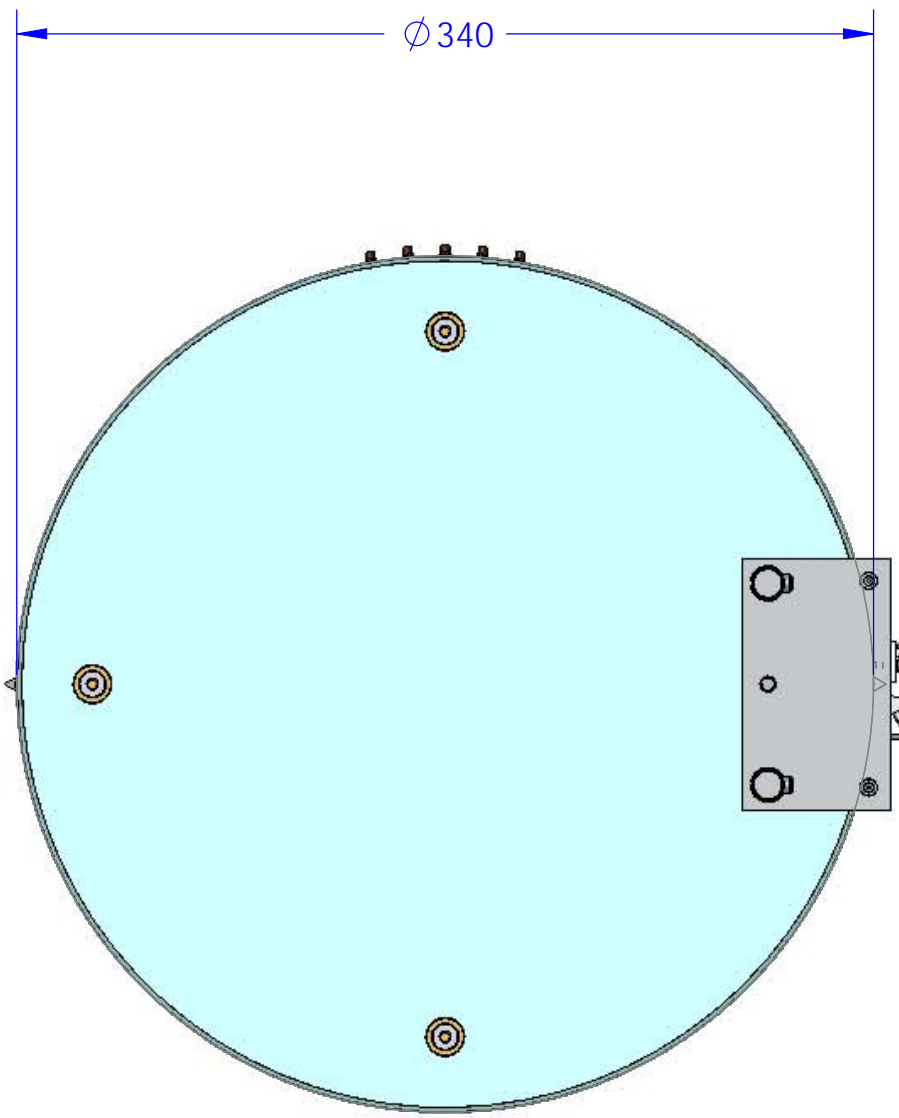


REV.	DATE	DCN #	DRAWING TREE #
v1	21/10/2010	-	-
-	-	-	-
-	-	-	-

NOTES CONTINUED:



D1002201\_aLIGO\_ERM\_PRISM\_BONDING\_JIG, PART PDM REV: v1, DRAWING PDM REV:

ITEM NO.	ASSEMBLY NO.	DESCRIPTION	QTY.
1	D0902822	aLIGO ERM optic with prisms assembly	1
2	D1002202	aLIGO ERM prism bonding fixture	1
3	D1002145	aLIGO TCP/ERM prism holder assembly	1

NOTES AND TOLERANCES: (UNLESS OTHERWISE SPECIFIED)				LIGO CALIFORNIA INSTITUTE OF TECHNOLOGY MASSACHUSETTS INSTITUTE OF TECHNOLOGY				PART NAME aLIGO ERM Prism bonding jig			
DIMENSIONS ARE IN mm				1. INTERPRET DRAWING PER ASME Y14.5-1994.				DESIGNER M.v.Veggel 26/08/2010			
TOLERANCES: .XX ± N/A .XXX ± N/A				2. REMOVE ALL SHARP EDGES, R.5 MIN.				DRAFTER M.v.Veggel 11/10/2010			
ANGULAR ± N/A*				3. DO NOT SCALE FROM DRAWING.				CHECKER R.Jones 12/10/2010			
MATERIAL N/A				4. ALL MACHINING FLUIDS MUST BE FULLY SYNTHETIC, FULLY WATER SOLUBLE AND FREE OF SULFUR, SILICONE, AND CHLORINE.				APPROVAL			
FINISH N/A µinch				SYSTEM aLIGO				SUB-SYSTEM SUS			
				NEXT ASSY				SIZE DWG. NO. B D1002201			
								SCALE: 1:3			
								PROJECTION:			
								SHEET 1 OF 1			