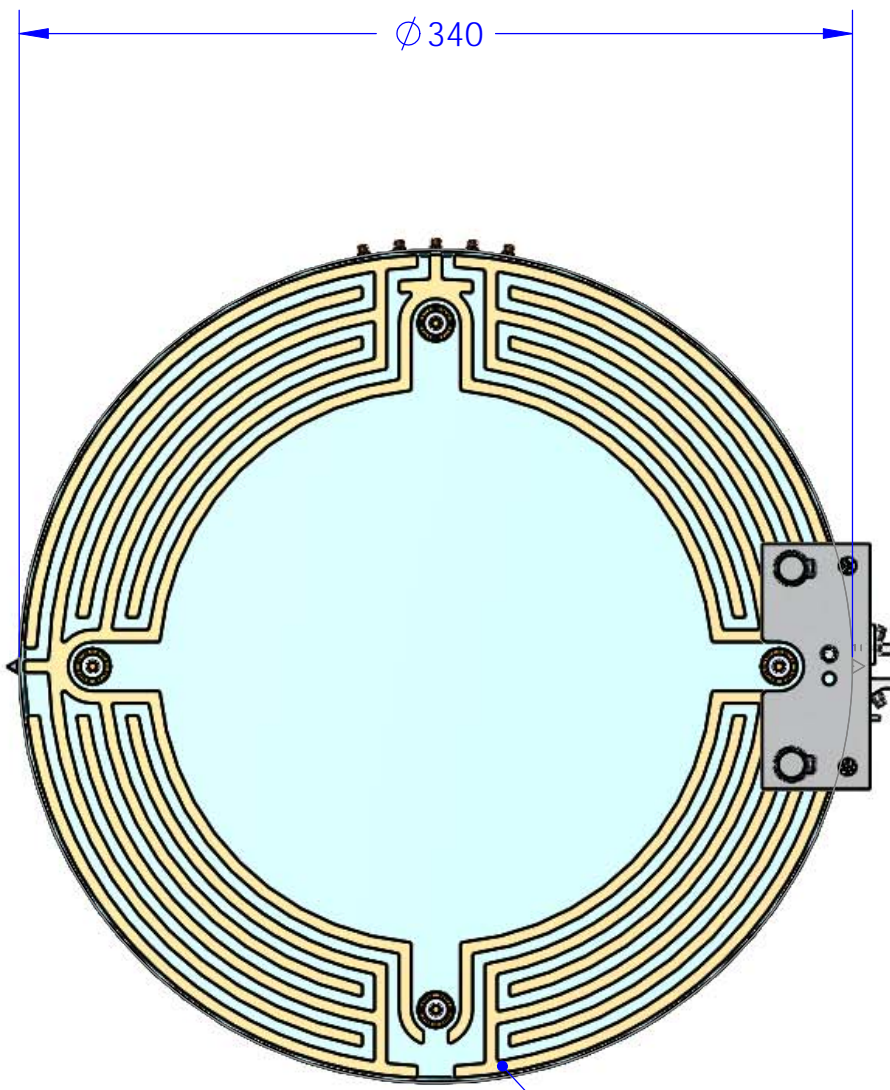


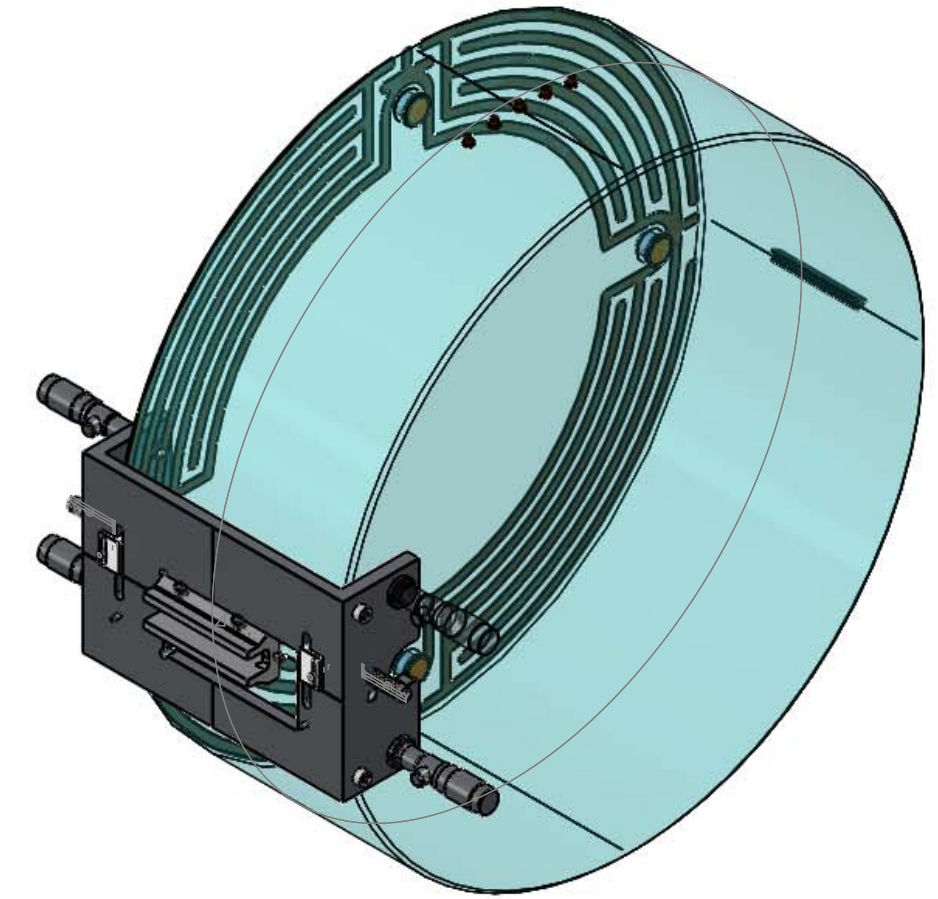
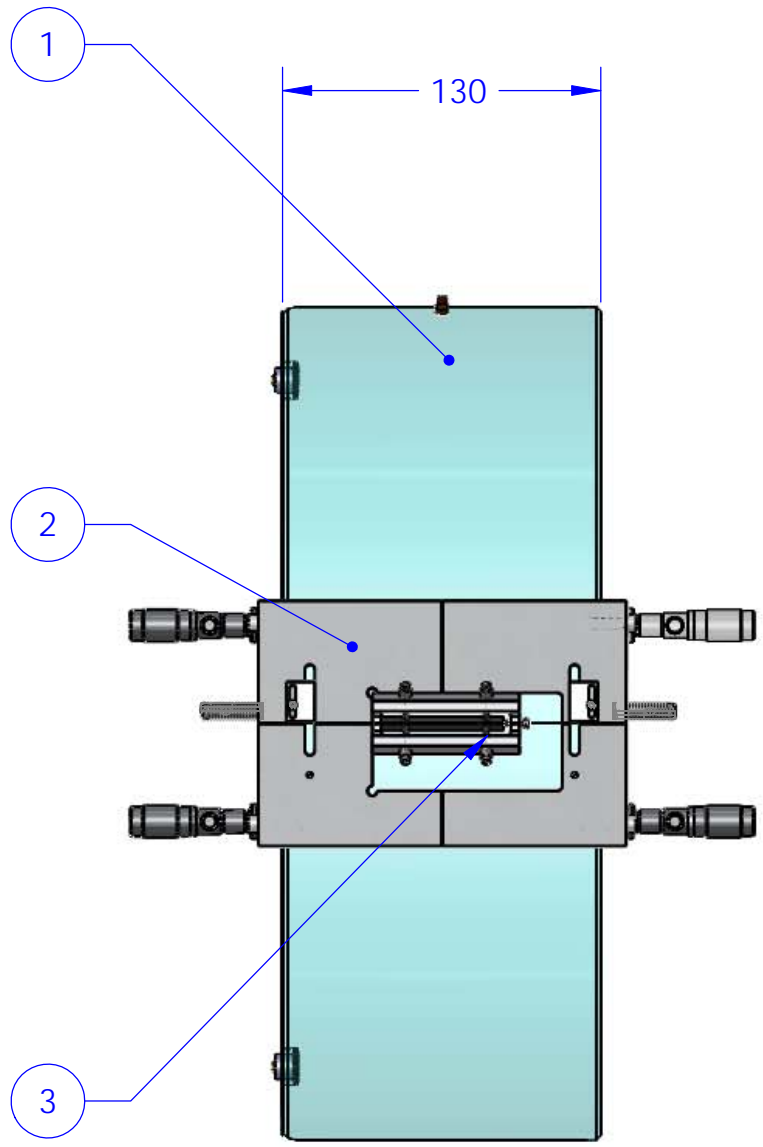
D1002201\_aLIGO\_ERM\_PRISM\_BONDING\_JIG, PART PDM REV: v2, DRAWING PDM REV:

NOTES CONTINUED:

REV.	DATE	DCN #	DRAWING TREE #
v1	21/10/2010	-	-
-	-	-	-
-	-	-	-



[ERM ESD PATTERN: D060189-v4]



ITEM NO.	ASSEMBLY NO.	DESCRIPTION	QTY.
1	D0902822	aLIGO ERM optic with prisms assembly	1
2	D1002202	aLIGO ERM prism bonding fixture	1
3	D1002145	aLIGO TCP/ERM prism holder assembly	1

DIMENSIONS ARE IN mm		TOLERANCES:		ANGULAR ± N/A*	
.XX	± N/A	.XX	± N/A		
.XXX	± N/A	.XXX	± N/A		

NOTES AND TOLERANCES: (UNLESS OTHERWISE SPECIFIED)			
1.	INTERPRET DRAWING PER ASME Y14.5-1994.		
2.	REMOVE ALL SHARP EDGES, R.5 MIN.		
3.	DO NOT SCALE FROM DRAWING.		
4.	ALL MACHINING FLUIDS MUST BE FULLY SYNTHETIC, FULLY WATER SOLUBLE AND FREE OF SULFUR, SILICONE, AND CHLORINE.		
MATERIAL	N/A	FINISH	N/A µinch

CALIFORNIA INSTITUTE OF TECHNOLOGY MASSACHUSETTS INSTITUTE OF TECHNOLOGY		PART NAME		aLIGO ERM Prism bonding jig	
SYSTEM	aLIGO	SUB-SYSTEM	SUS	DESIGNER	M.v.Veggel 26/08/2010
NEXT ASSY		DRAPER	M.v.Veggel 11/10/2010	CHECKER	R.Jones 12/10/2010
		APPROVAL		SCALE:	1:3
				PROJECTION:	
				SIZE DWG. NO.	<b>B</b> D1002201
				REV.	v2
					SHEET 1 OF 1