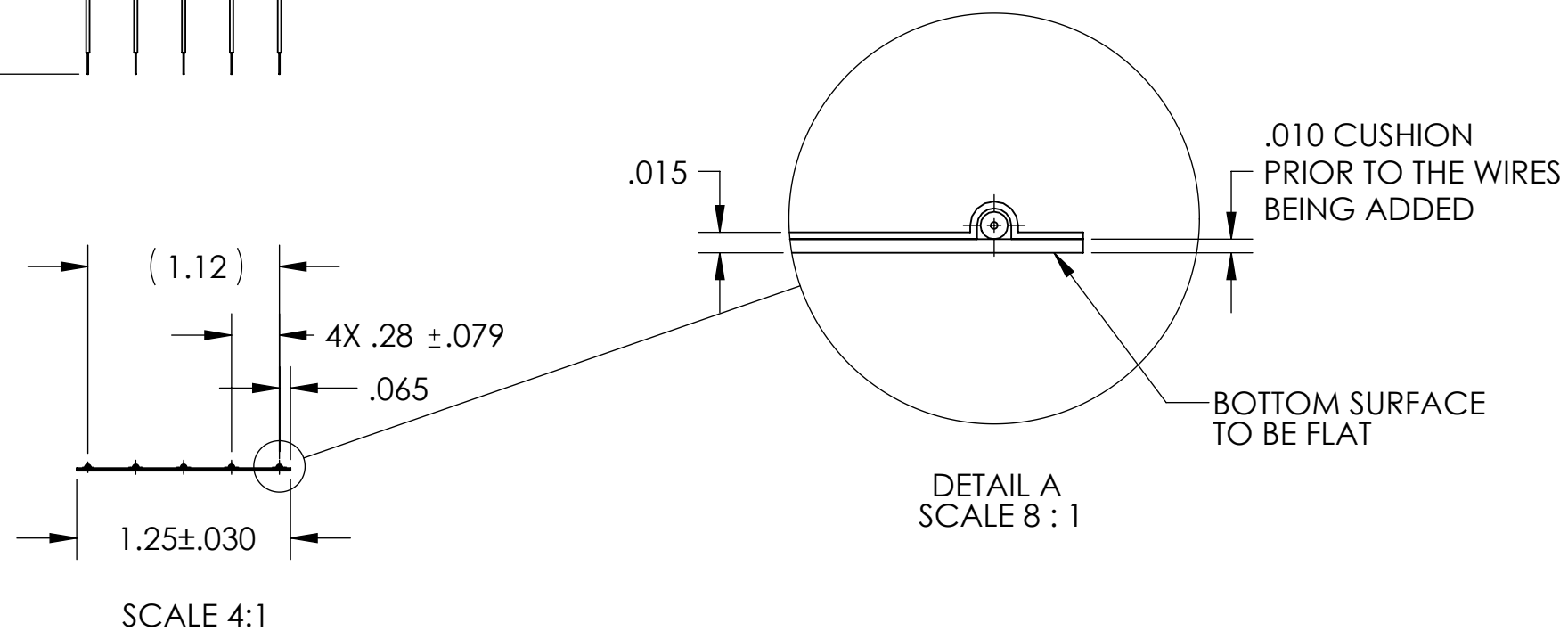
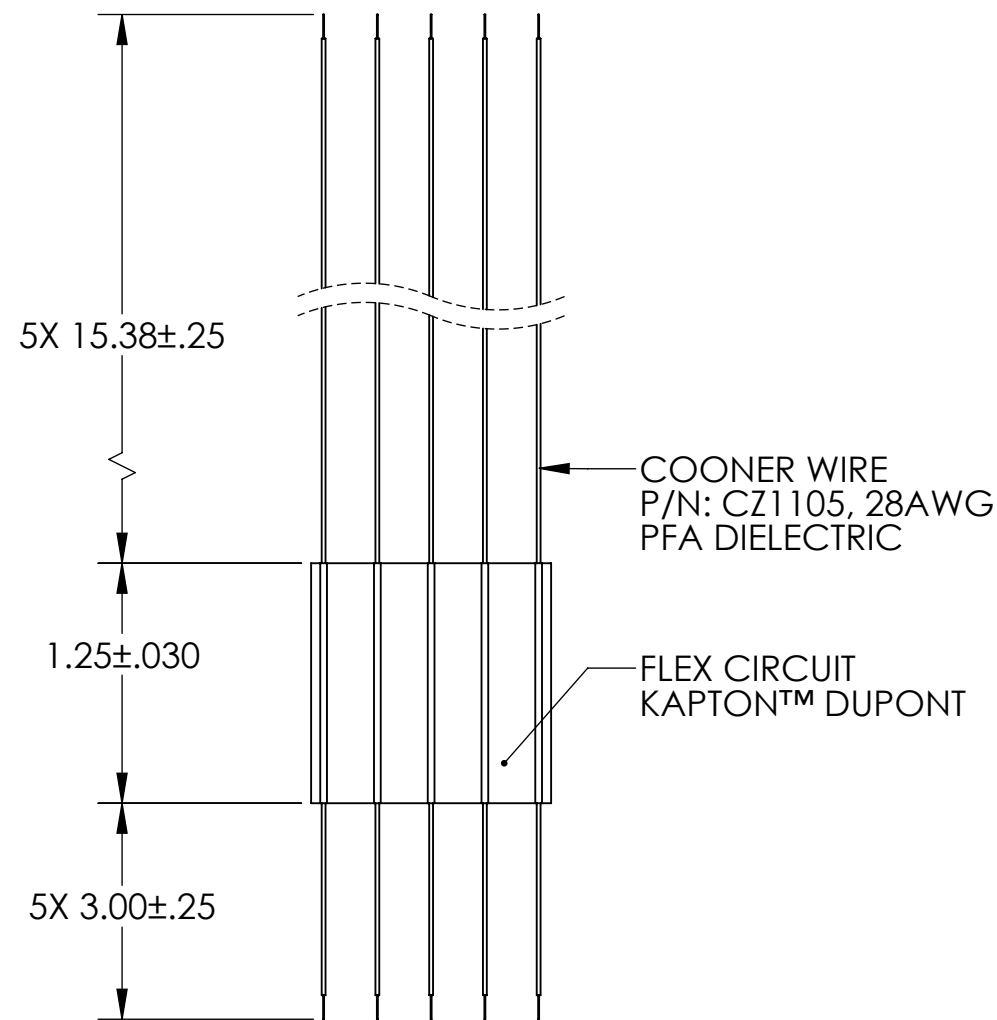


REV.	DATE	DCN #	DRAWING TREE #
v1	14 APR 2011	-	-
v2	03 MAY 2011	-	-
v3	09 MAY 2011	E1100424-x0	-

5 BAG AND TAG INDIVIDUAL FLEX CIRCUITS WITH PART NUMBER AND LATEST REVISION.



NOTES AND TOLERANCES: (UNLESS OTHERWISE SPECIFIED)		
DIMENSIONS ARE IN INCHES		
TOLERANCES: .XX ± .02 .XXX ± .010 ANGULAR ± 0.5°		
1. INTERPRET DRAWING PER ASME Y14.5-1994. 2. REMOVE ALL SHARP EDGES, R.02 MIN. 3. DO NOT SCALE FROM DRAWING. 4. ALL MACHINING FLUIDS MUST BE FULLY SYNTHETIC, FULLY WATER SOLUBLE AND FREE OF SULFUR, SILICONE, AND CHLORINE.		
MATERIAL	SEE F/D	FINISH N/A μinch

LIGO CALIFORNIA INSTITUTE OF TECHNOLOGY MASSACHUSETTS INSTITUTE OF TECHNOLOGY		PART NAME	
SYSTEM ADVANCED LIGO	SUB-SYSTEM COC	aLIGO, FLEX CIRCUIT, ESD	
DESIGNER J. DAVIS	18 AUG 2010	SIZE	DWG. NO.
DRAFTER J. DAVIS	18 AUG 2010	B	D1002225
CHECKER S. SHANKLE	14 APR 2011	SCALE	1:1
APPROVAL M. PHELPS	15 APR 2011	PROJECTION:	1ST ANGLE
			SHEET 1 OF 1

D1002225_1 - aLIGO, FLEX CIRCUIT, PART PDM REV: X-005, DRAWING PDM REV: X-004