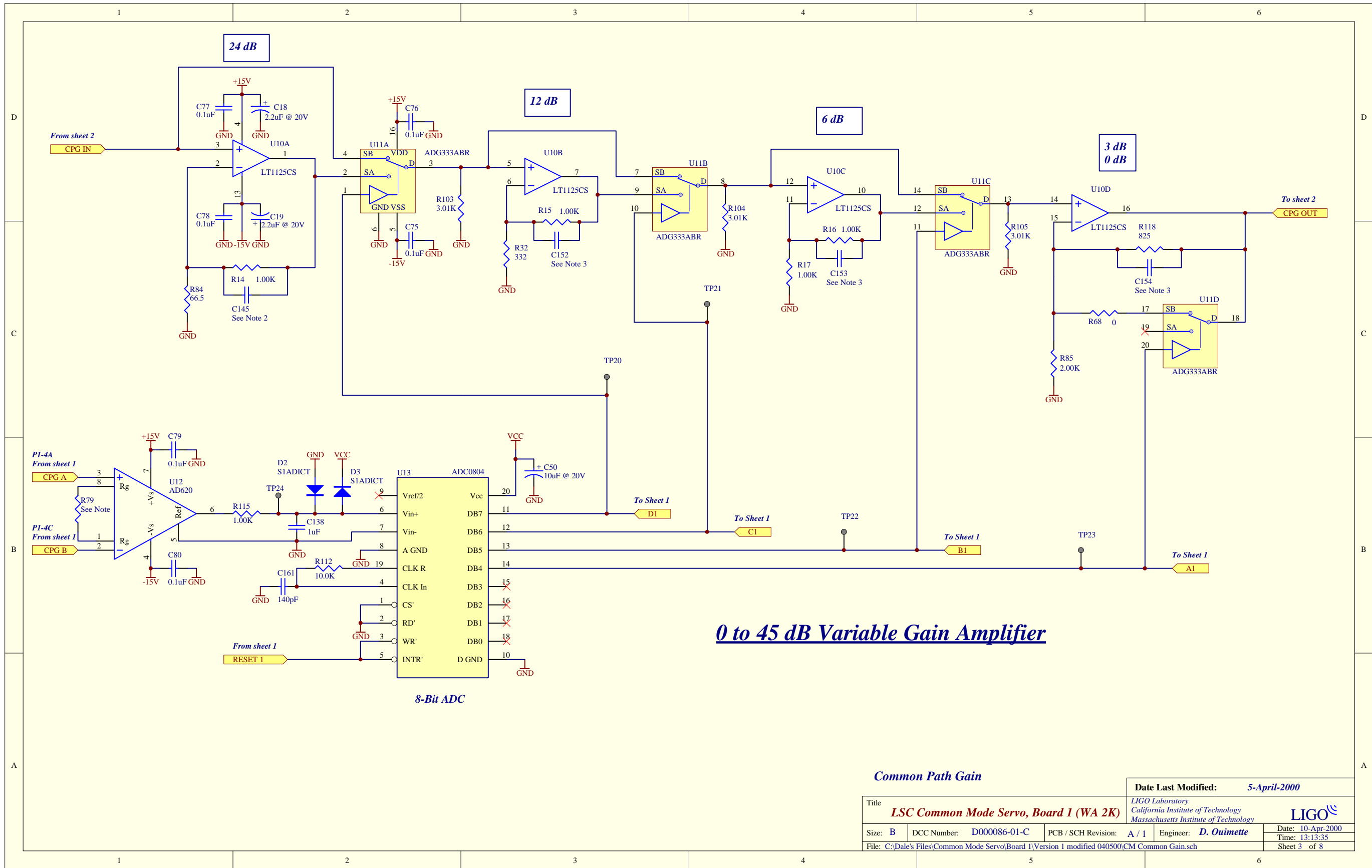


Common Path

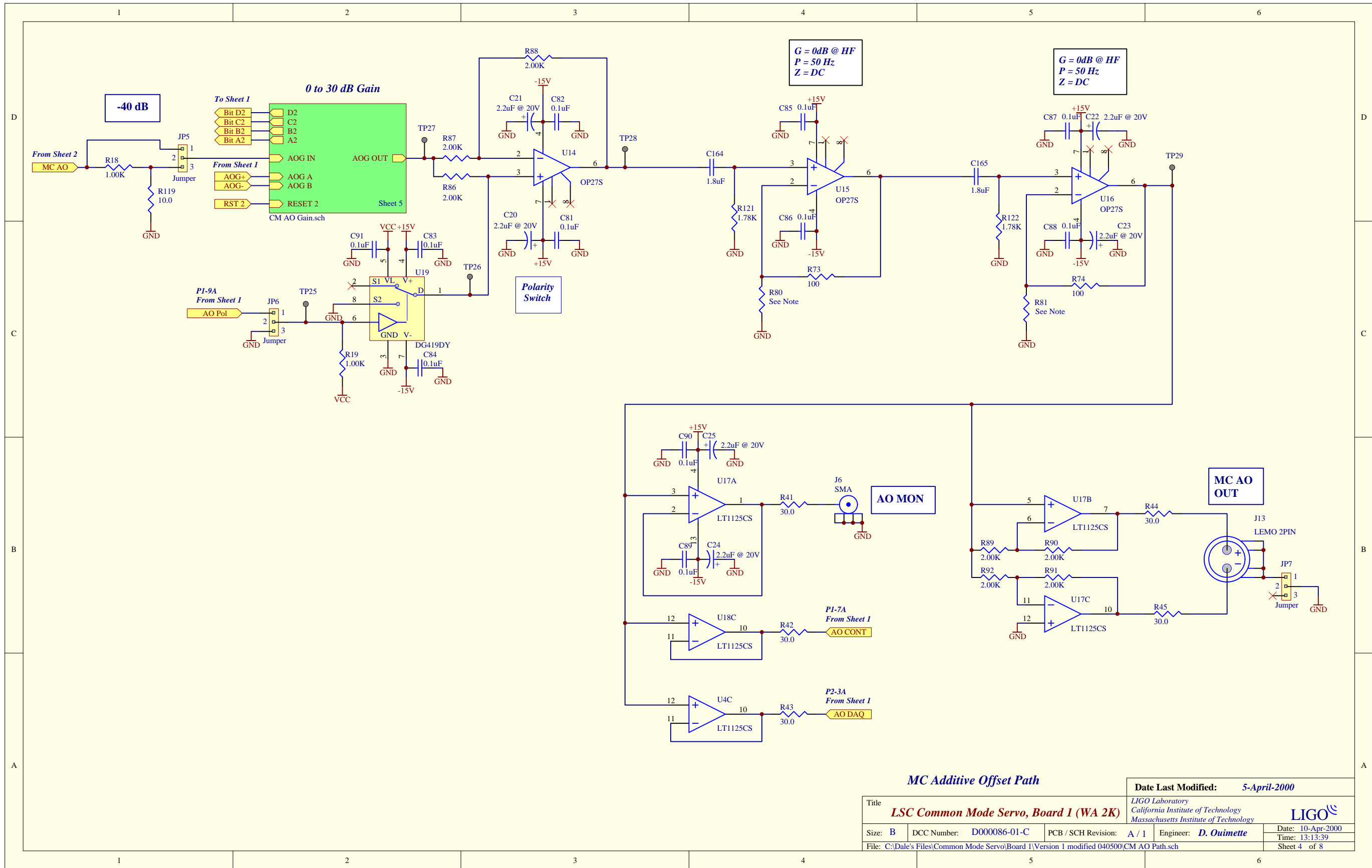
Title			Date Last Modified: 5-April-2000	
LSC Common Mode Servo, Board 1 (WA 2K)			LIGO Laboratory California Institute of Technology Massachusetts Institute of Technology	
Size: B	DCC Number: D000086-01-C	PCB / SCH Revision: A / 1	Engineer: D. Ouimette	LIGO
File: C:\Dale's Files\Common Mode Servo\Board 1\Version 1 modified 040500\CM Common Path.sch			Date: 10-Apr-2000	Time: 13:13:29
				Sheet 2 of 8



0 to 45 dB Variable Gain Amplifier

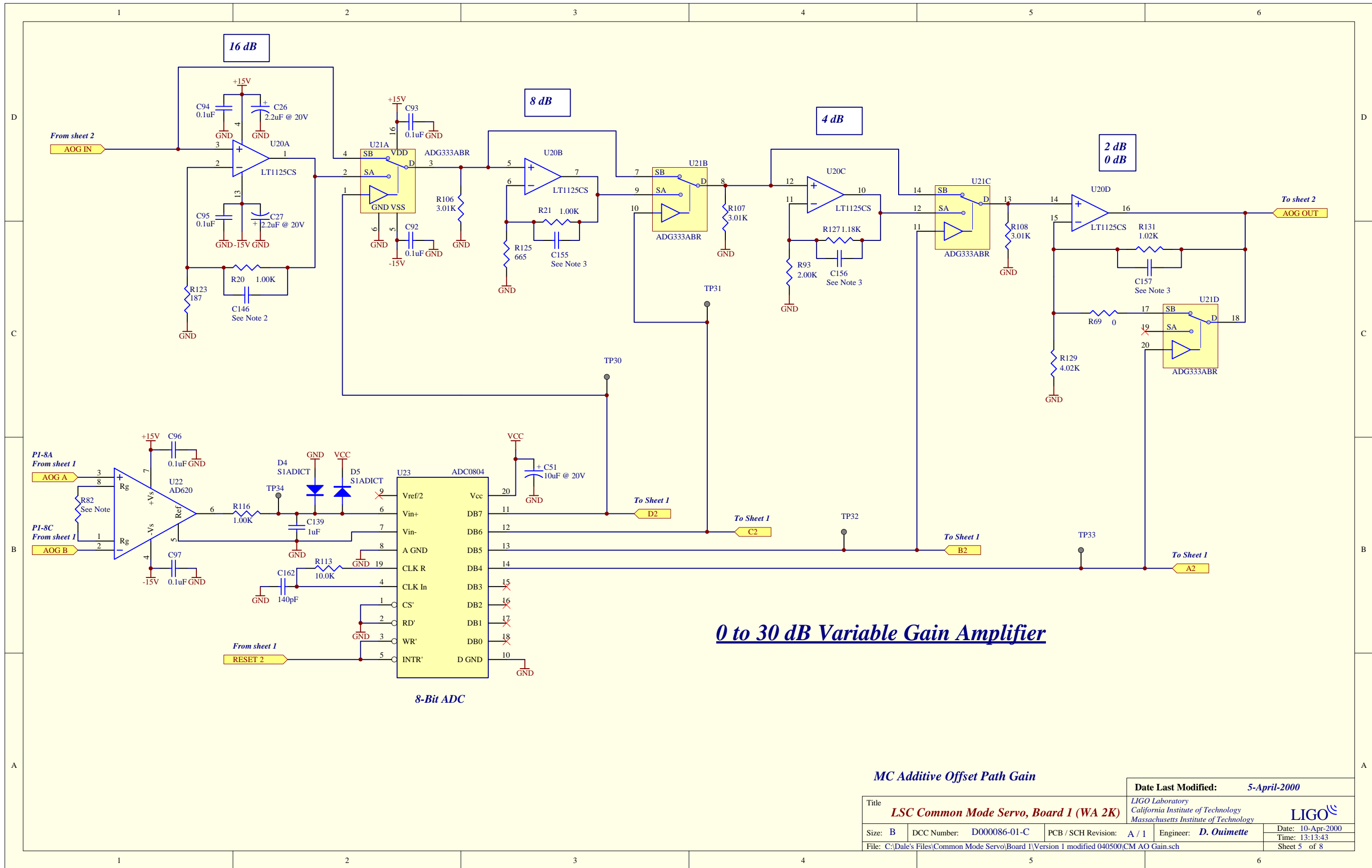
Common Path Gain

Title			Date Last Modified: 5-April-2000	
LSC Common Mode Servo, Board 1 (WA 2K)			LIGO Laboratory California Institute of Technology Massachusetts Institute of Technology	
Size: B	DCC Number: D000086-01-C	PCB / SCH Revision: A / 1	Engineer: D. Ouimette	Date: 10-Apr-2000
File: C:\Dale's Files\Common Mode Servo\Board 1\Version 1 modified 040500\CM Common Gain.sch				Time: 13:13:35
				Sheet 3 of 8



MC Additive Offset Path

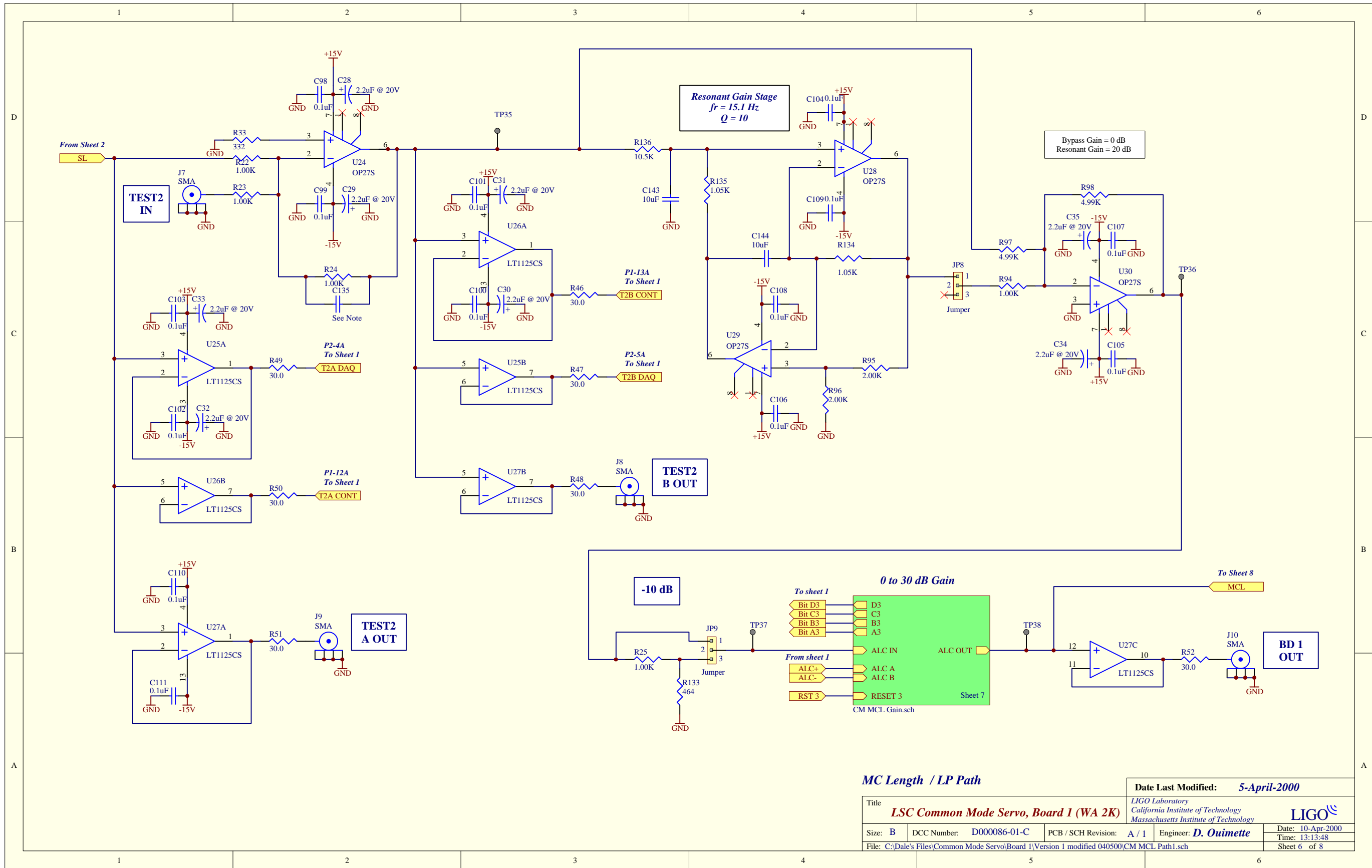
Title			Date Last Modified: 5-April-2000	
LSC Common Mode Servo, Board 1 (WA 2K)			LIGO Laboratory California Institute of Technology Massachusetts Institute of Technology	
Size: B	DCC Number: D000086-01-C	PCB / SCH Revision: A / 1	Engineer: D. Ouimette	Date: 10-Apr-2000
File: C:\Dale's Files\Common Mode Servo\Board 1\Version 1 modified 040500\CM AO Path.sch				Time: 13:13:39
				Sheet 4 of 8



0 to 30 dB Variable Gain Amplifier

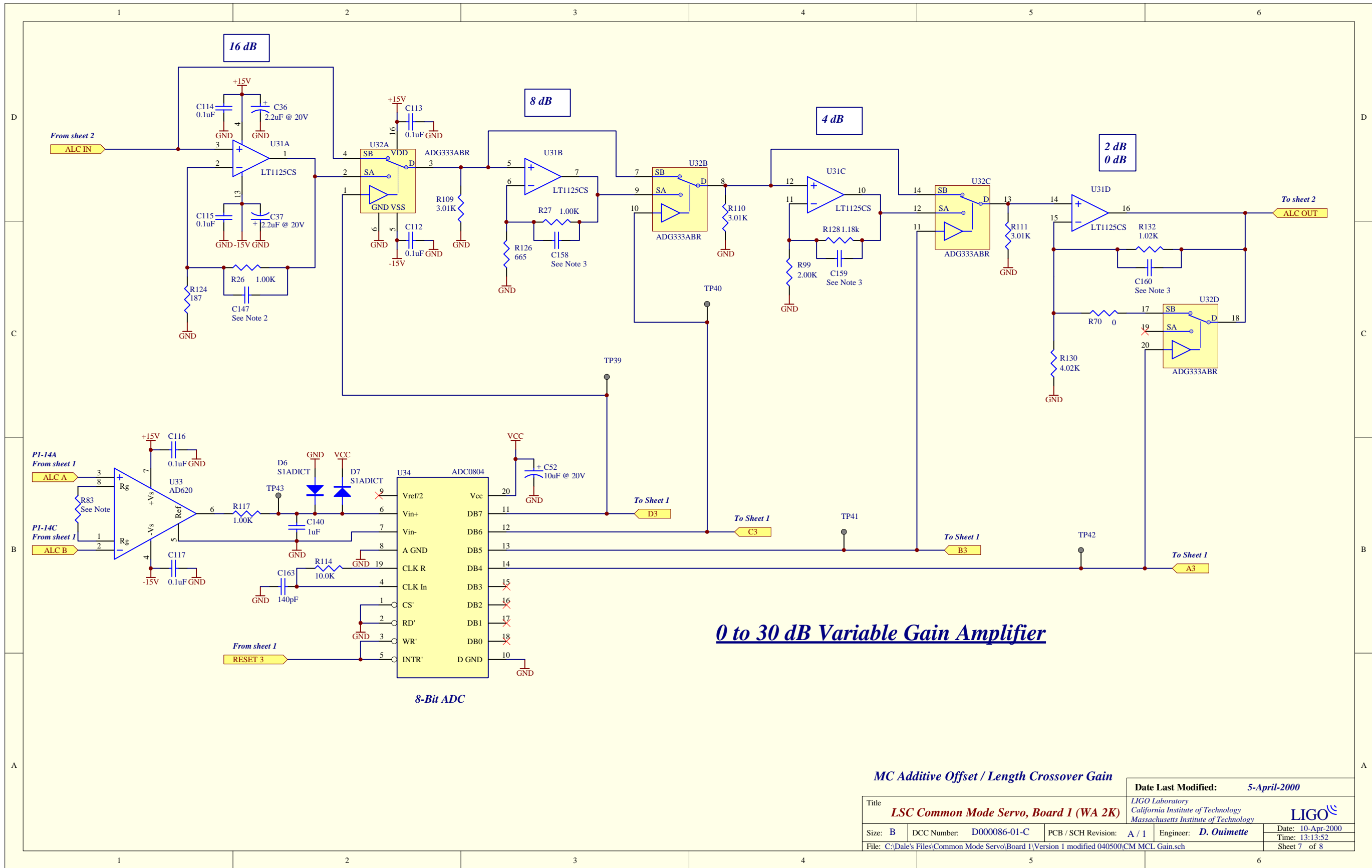
MC Additive Offset Path Gain

Title			Date Last Modified: 5-April-2000	
LSC Common Mode Servo, Board 1 (WA 2K)			LIGO Laboratory California Institute of Technology Massachusetts Institute of Technology	
Size: B	DCC Number: D000086-01-C	PCB / SCH Revision: A / 1	Engineer: D. Ouimette	Date: 10-Apr-2000
File: C:\Dale's Files\Common Mode Servo\Board 1\Version 1 modified 040500\CM AO Gain.sch				Time: 13:13:43
				Sheet 5 of 8



MC Length / LP Path

Title				Date Last Modified: 5-April-2000	
LSC Common Mode Servo, Board 1 (WA 2K)				LIGO Laboratory California Institute of Technology Massachusetts Institute of Technology	
Size: B	DCC Number: D000086-01-C	PCB / SCH Revision: A / 1	Engineer: D. Ouimette	Date: 10-Apr-2000	LIGO
File: C:\Dale's Files\Common Mode Servo\Board 1\Version 1 modified 040500\CM MCL Path1.sch				Time: 13:13:48	Sheet 6 of 8

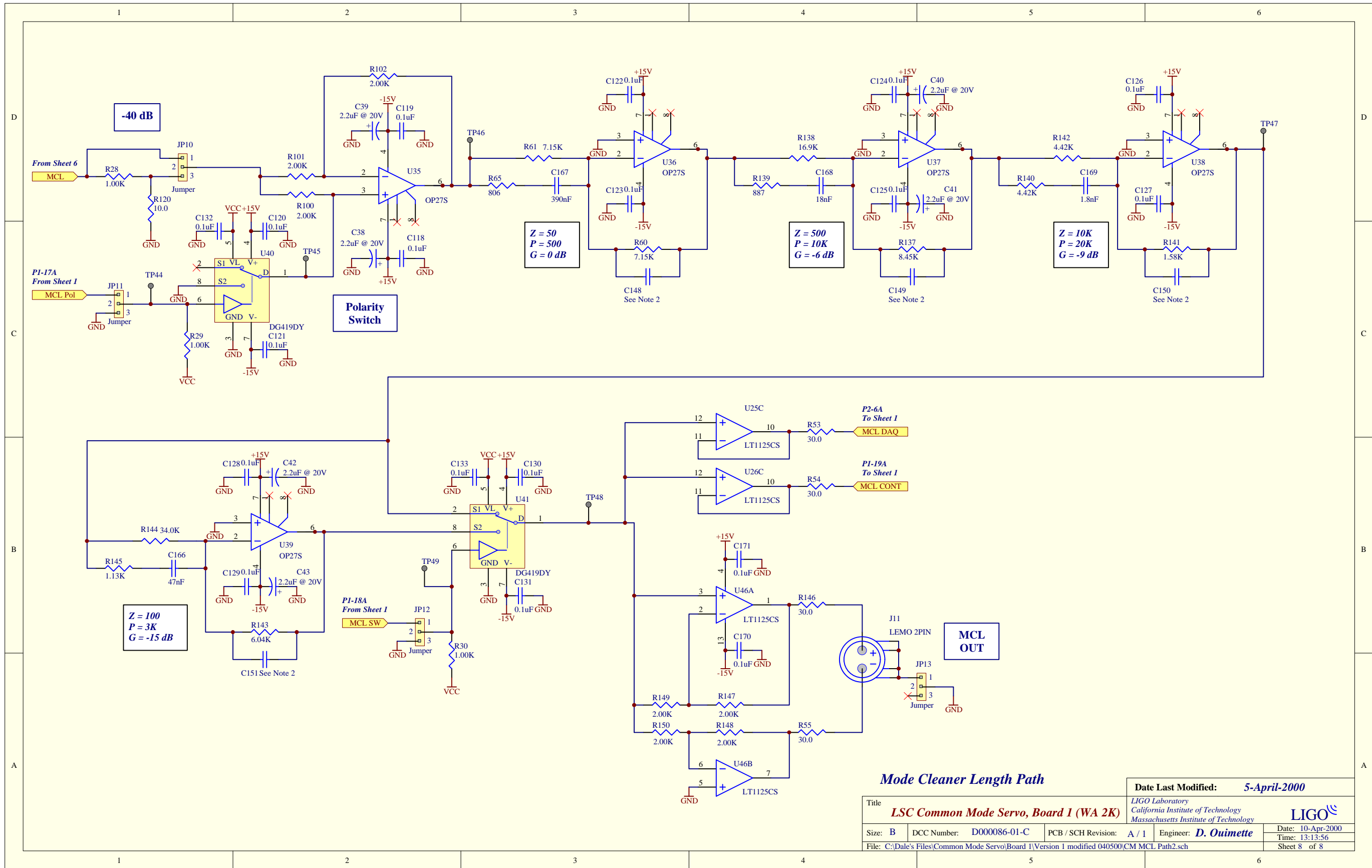


0 to 30 dB Variable Gain Amplifier

MC Additive Offset / Length Crossover Gain

Title			Date Last Modified: 5-April-2000	
LSC Common Mode Servo, Board 1 (WA 2K)			LIGO Laboratory California Institute of Technology Massachusetts Institute of Technology	
Size: B	DCC Number: D000086-01-C	PCB / SCH Revision: A / 1	Engineer: D. Ouimette	Date: 10-Apr-2000
File: C:\Dale's Files\Common Mode Servo\Board 1\Version 1 modified 040500\CM MCL Gain.sch				Time: 13:13:52
				Sheet 7 of 8





Title			Date Last Modified: 5-April-2000	
LSC Common Mode Servo, Board 1 (WA 2K)			LIGO Laboratory California Institute of Technology Massachusetts Institute of Technology	
Size: B	DCC Number: D000086-01-C	PCB / SCH Revision: A / 1	Engineer: D. Ouimette	Date: 10-Apr-2000
File: C:\Dale's Files\Common Mode Servo\Board 1\Version 1 modified 040500\CM MCL Path2.sch				Time: 13:13:56
				Sheet 8 of 8