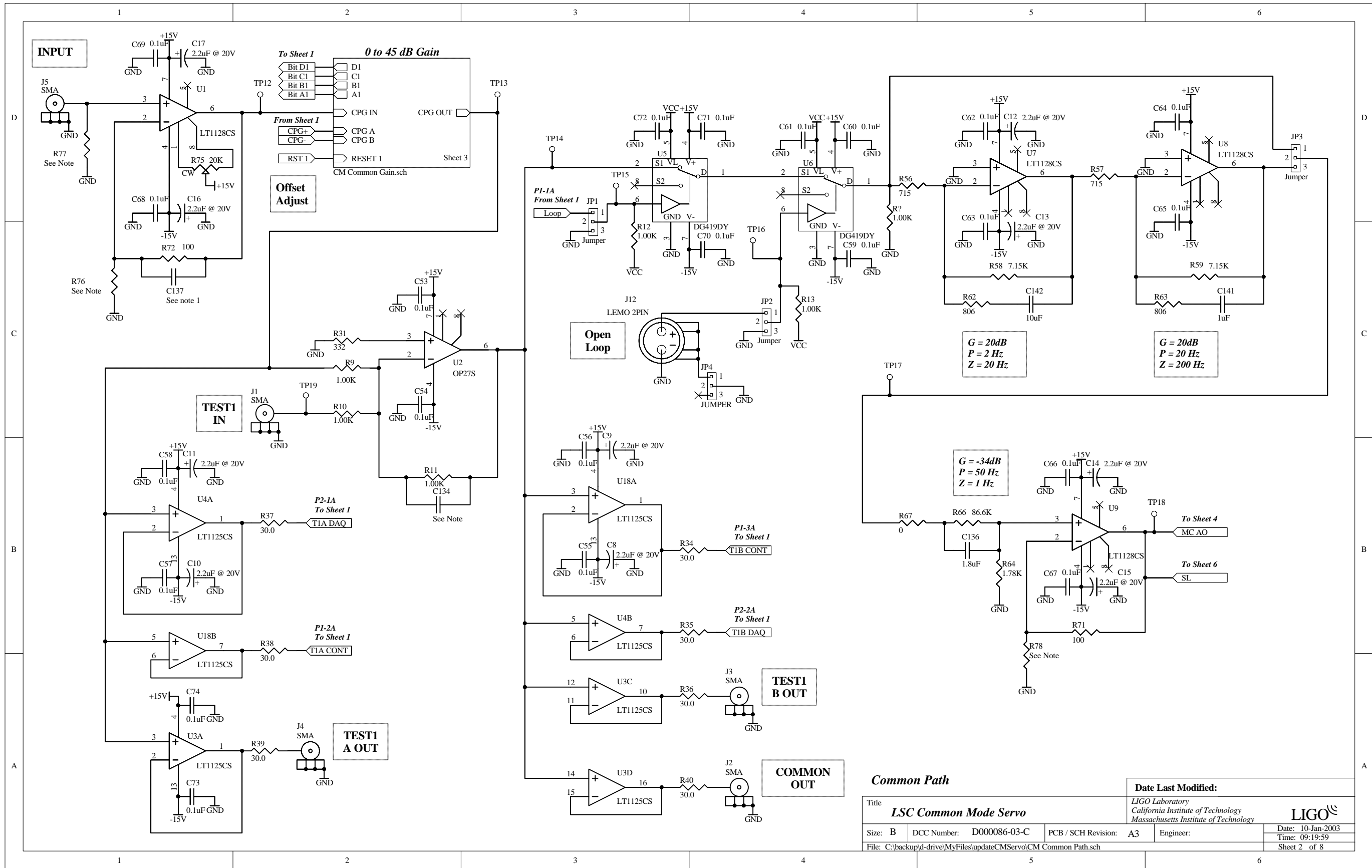


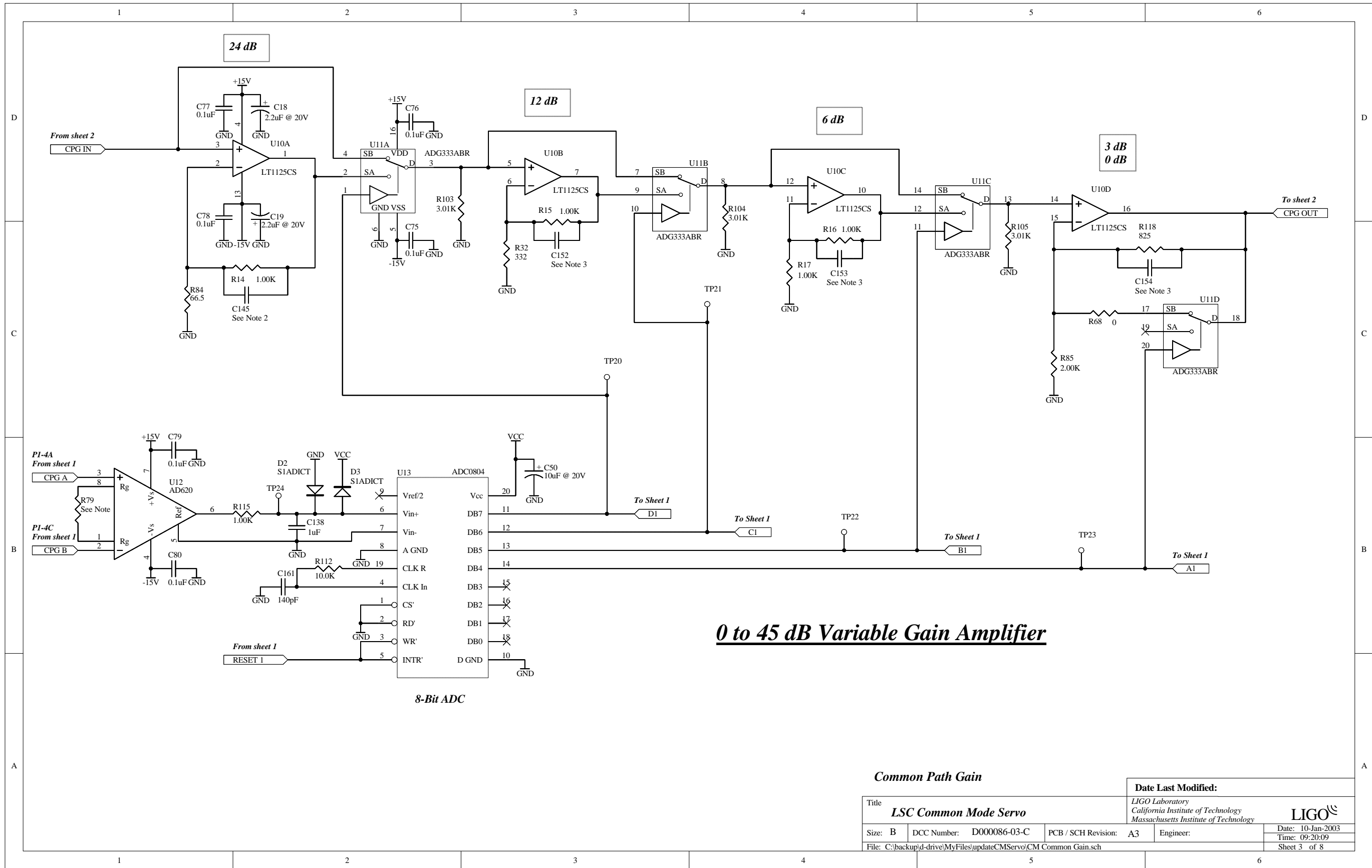
Title		Date Last Modified:	
LSC Common Mode Servo		LIGO Laboratory California Institute of Technology Massachusetts Institute of Technology	
Size: B	DCC Number: D000086-03-C	PCB / SCH Revision: A3	Engineer:
File: C:\backup\d-drive\MyFiles\updateCMServo\CM Servo1.prj		Date: 10-Jan-2003 Time: 09:19:34 Sheet 1 of 8	



Common Path

Title		Date Last Modified:	
LSC Common Mode Servo		LIGO Laboratory California Institute of Technology Massachusetts Institute of Technology	
Size: B	DCC Number: D000086-03-C	PCB / SCH Revision: A3	Engineer:
File: C:\backup\d-drive\MyFiles\updateCMServo\CM Common Path.sch		Date: 10-Jan-2003	Time: 09:19:59
		Sheet 2 of 8	

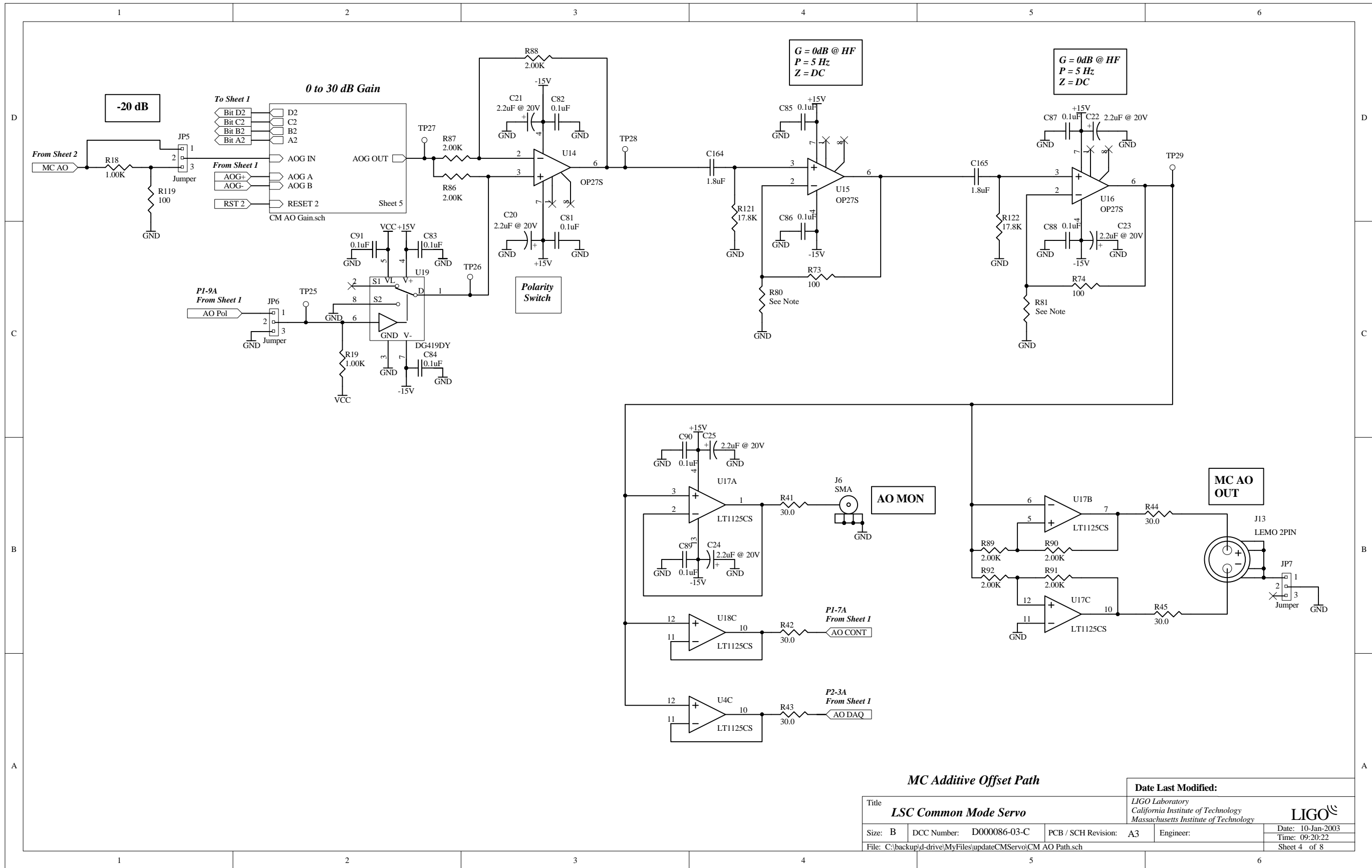




0 to 45 dB Variable Gain Amplifier

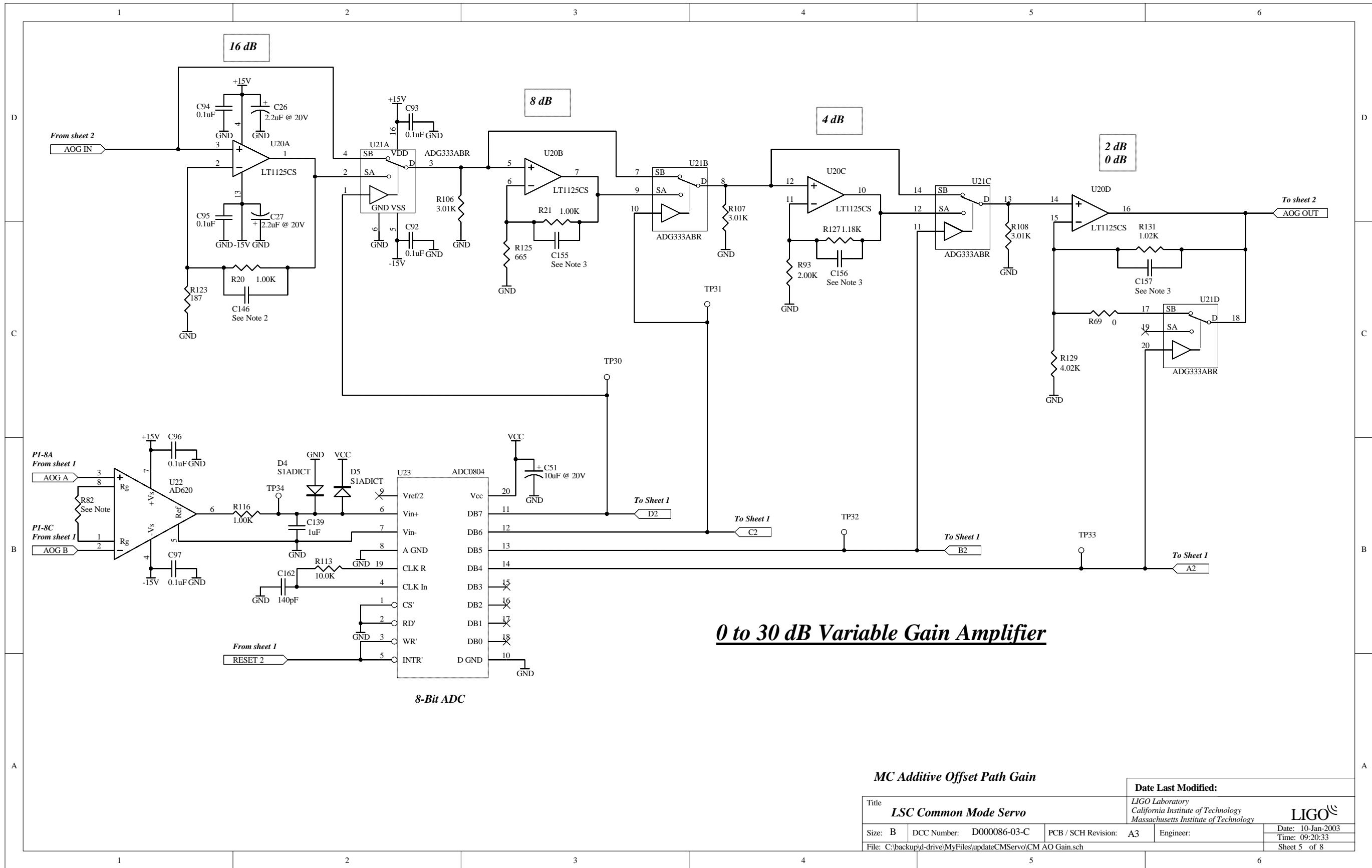
Common Path Gain

Title LSC Common Mode Servo			Date Last Modified:	
LIGO Laboratory California Institute of Technology Massachusetts Institute of Technology			LIGO	
Size: B	DCC Number: D000086-03-C	PCB / SCH Revision: A3	Engineer:	Date: 10-Jan-2003
File: C:\backup\d-drive\MyFiles\updateCMServo\CM Common Gain.sch			Time: 09:20:09	
			Sheet 3 of 8	



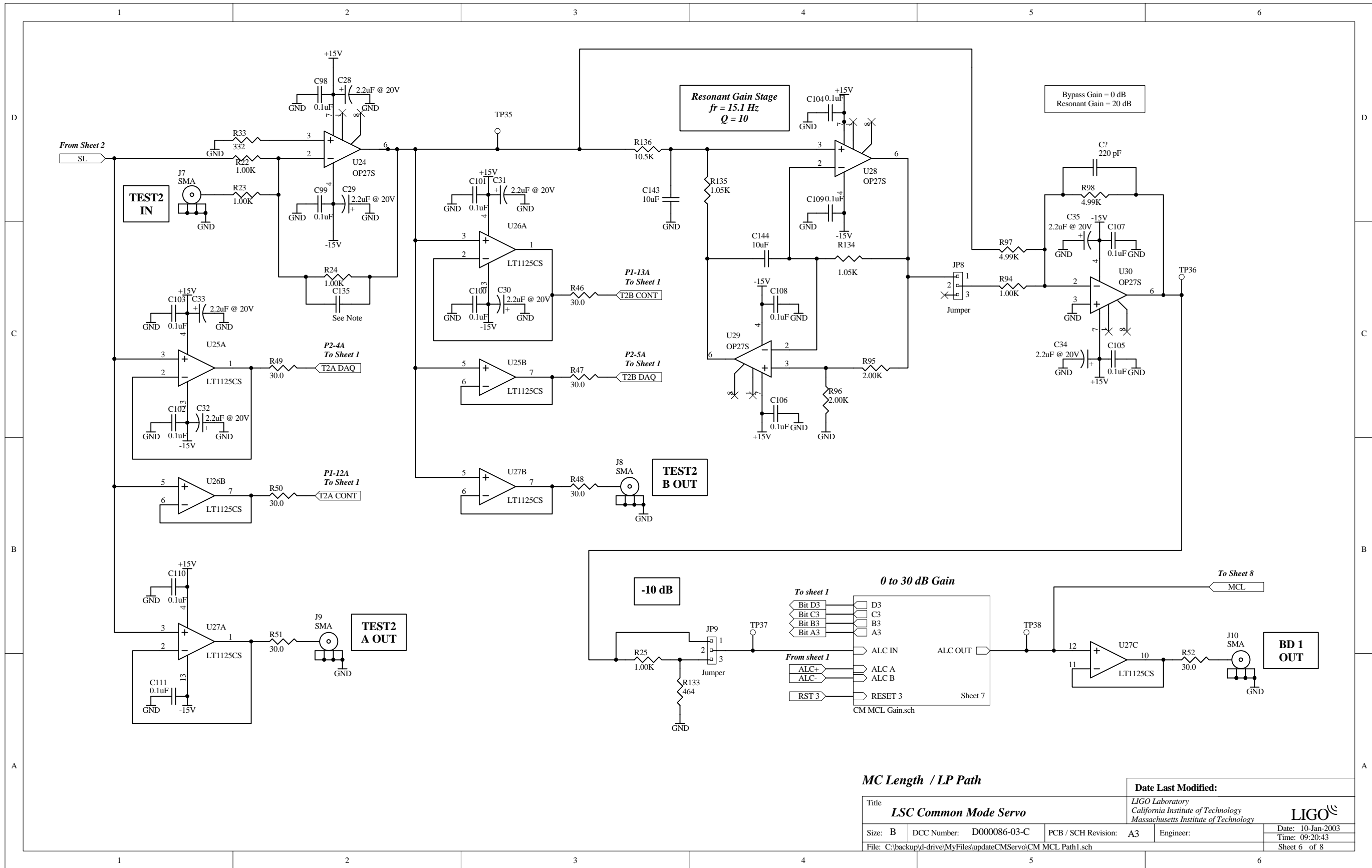
MC Additive Offset Path

Title			Date Last Modified:	
LSC Common Mode Servo			LIGO Laboratory California Institute of Technology Massachusetts Institute of Technology	
Size: B	DCC Number: D000086-03-C	PCB / SCH Revision: A3	Engineer:	LIGO
File: C:\backup\d-drive\MyFiles\updateCMServo\CM AO Path.sch			Date: 10-Jan-2003	Time: 09:20:22
				Sheet 4 of 8



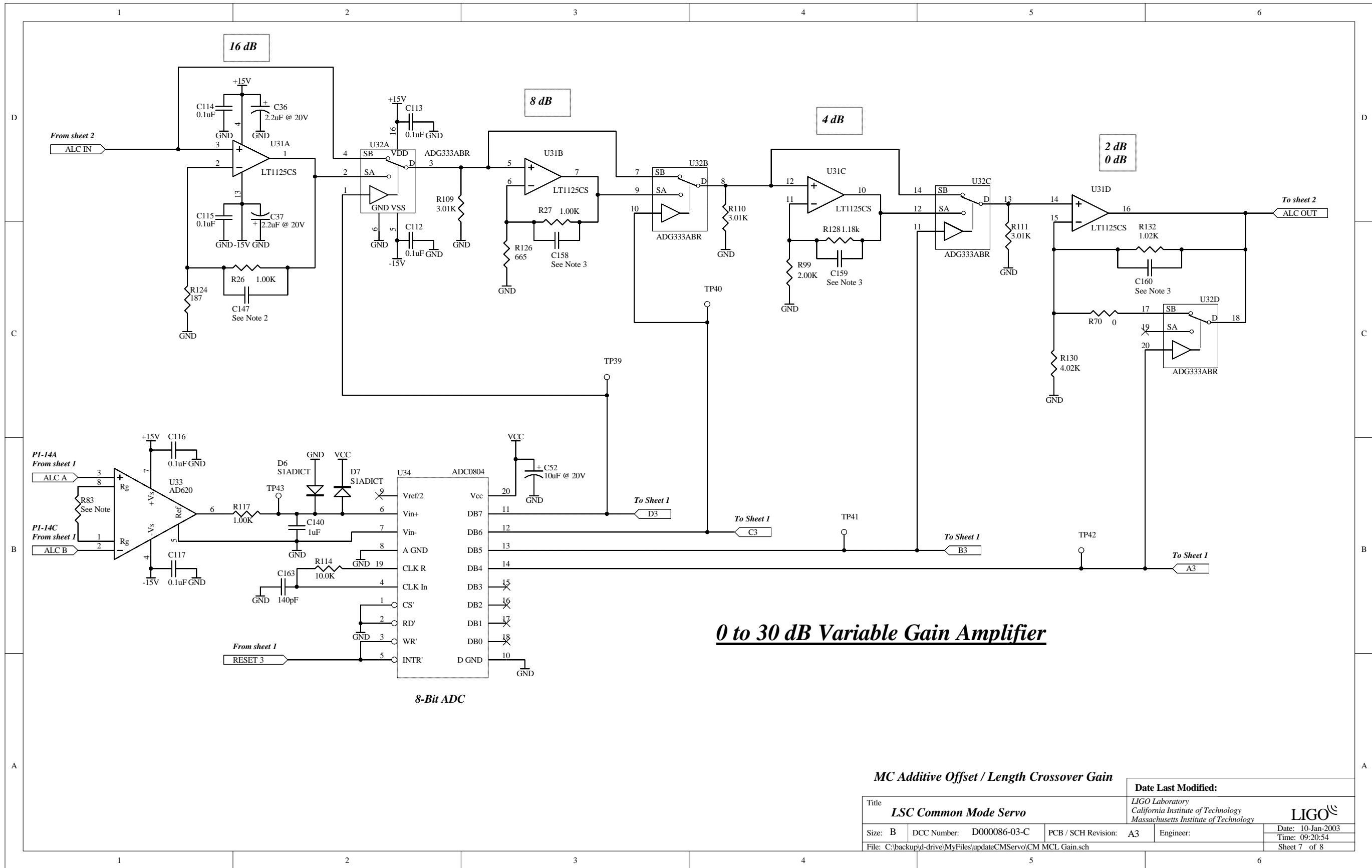
MC Additive Offset Path Gain

Title			Date Last Modified:	
LSC Common Mode Servo			LIGO Laboratory California Institute of Technology Massachusetts Institute of Technology	
Size: B	DCC Number: D000086-03-C	PCB / SCH Revision: A3	Engineer:	LIGO
File: C:\backup\d-drive\MyFiles\updateCMServo\CM AO Gain.sch			Date: 10-Jan-2003	Time: 09:20:33
			Sheet 5 of 8	



MC Length / LP Path

Title LSC Common Mode Servo			Date Last Modified: LIGO Laboratory California Institute of Technology Massachusetts Institute of Technology LIGO	
Size: B	DCC Number: D000086-03-C	PCB / SCH Revision: A3	Engineer:	Date: 10-Jan-2003
File: C:\backup\d-drive\MyFiles\updateCMServo\CM MCL Path1.sch				Time: 09:20:43
				Sheet 6 of 8

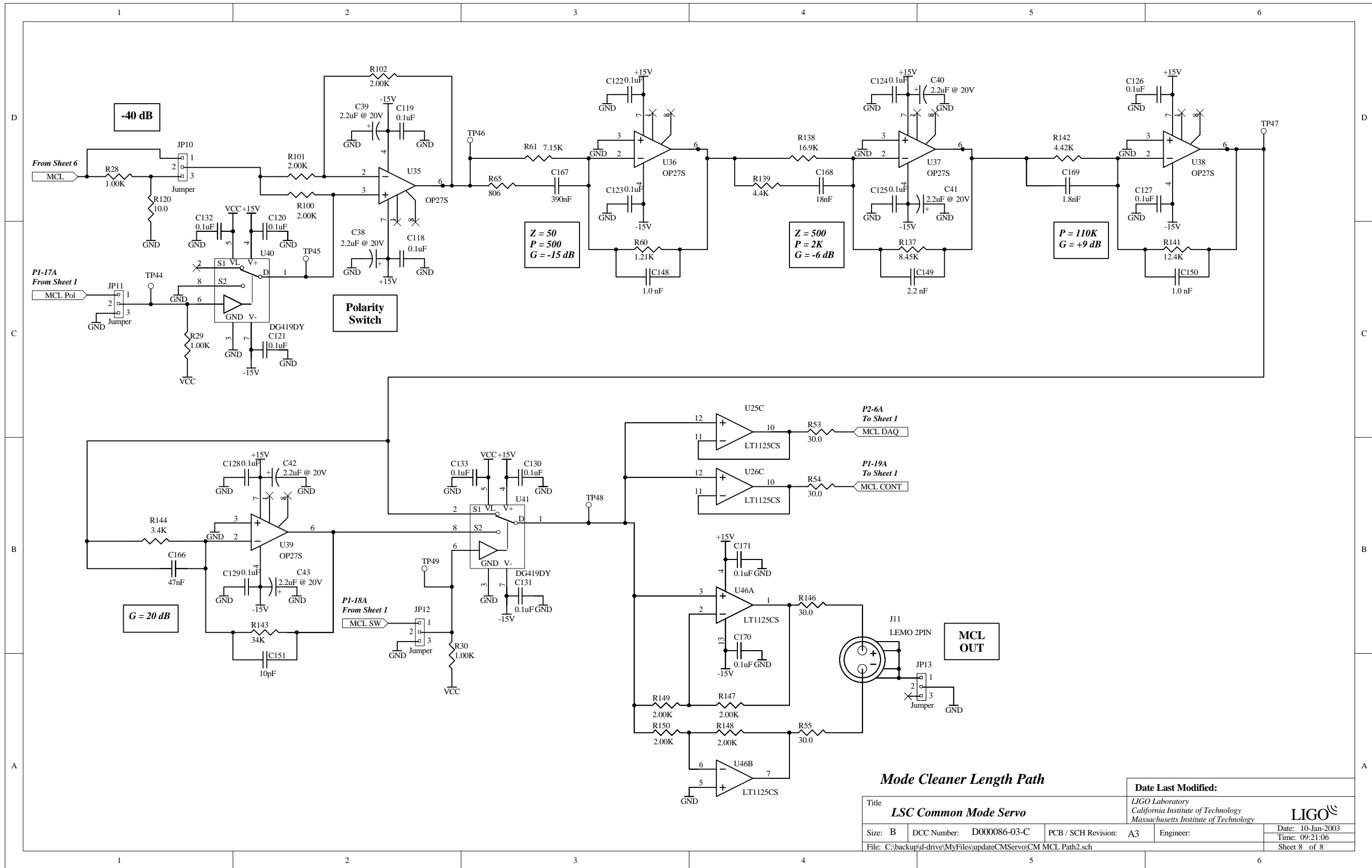


0 to 30 dB Variable Gain Amplifier

MC Additive Offset / Length Crossover Gain

Title LSC Common Mode Servo			Date Last Modified:	
Size: B			LIGO Laboratory California Institute of Technology Massachusetts Institute of Technology	
DCC Number: D000086-03-C	PCB / SCH Revision: A3	Engineer:	Date: 10-Jan-2003	
File: C:\backup\d-drive\MyFiles\updateCMServo\CM MCL Gain.sch			Time: 09:20:54	
			Sheet 7 of 8	





Mode Cleaner Length Path

Title			Date Last Modified:	
LSC Common Mode Servo			LIGO Laboratory California Institute of Technology Massachusetts Institute of Technology	
Size: B	DCC Number: D000086-03-C	PCB / SCH Revision: A3	Engineer:	LIGO
File: C:\backup\d-drive\MyFiles\updateCMServo\CM MCL Path2.sch			Date: 10-Jan-2003	Time: 09:21:06
				Sheet 8 of 8