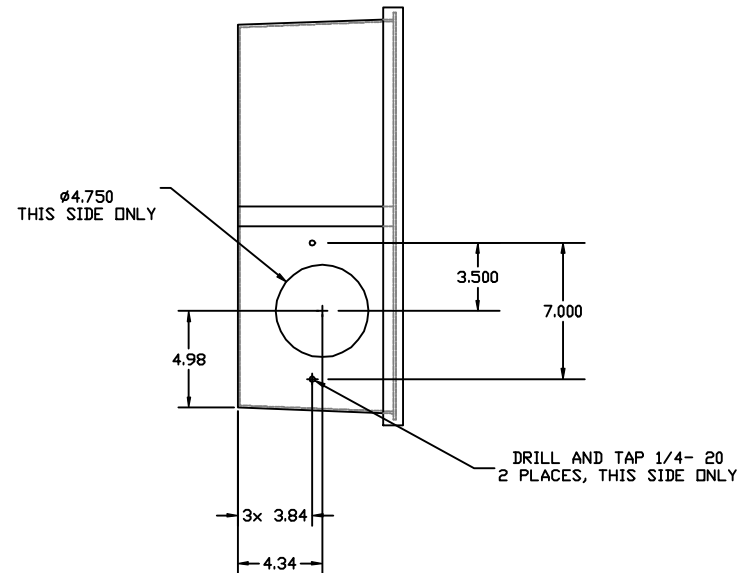
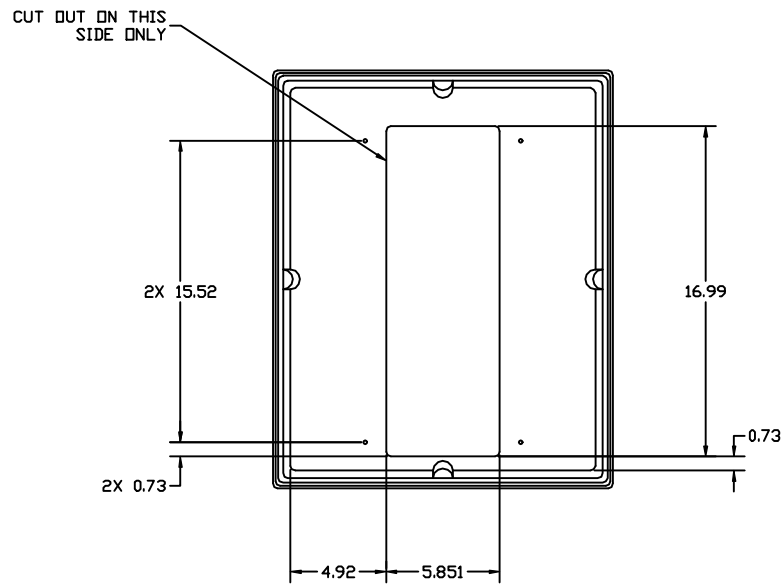
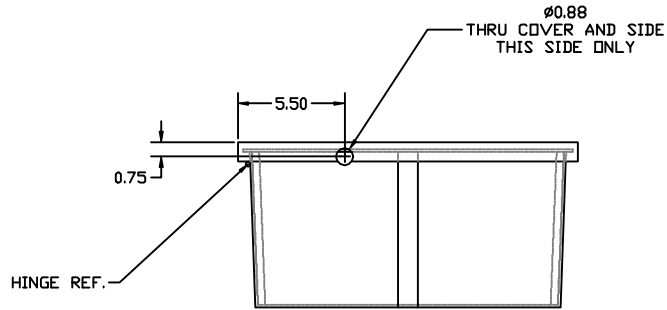


NOTES:

1. MAKE FROM NEWARK PART NUMBER 50F8478.



REF		QTY	PART or DRWG No.	CDS										MATERIAL
PARTS and MATERIAL LIST													CALIFORNIA INSTITUTE OF TECHNOLOGY MASSACHUSETTS INSTITUTE OF TECHNOLOGY	
													ETM ENCLOSURE	
UNLESS OTHERWISE SPECIFIED													SMITH 4/00	
DIMENSIONS ARE IN FEET (cm)													SMITH 3-00	
TOLERANCES: FRACTIONAL ± 1/16(1.6)													DATE	
FINISHED SURFACE RMS 63													SCALE FULL	
ANGULAR ± 1°													SHEET 1 OF 1	
TWO PLACE DECIMAL ± .01(0.25)														
THREE PLACE DECIMAL ± .005(0.13)														
BREAK CORNERS: .02														
REMOVE ALL BURRS														
NOTE 1														
MATERIAL: NEMA CRATE														
HEAT TREAT: -														
FINISH: -														
USED ON: ET MONITOR														
NEXT ASS'Y: D980341														
ISSUE DESCRIPTION														
A RELEASE														
PRE-RELEASE														
DESCRIPTION														
DCC SYS DET CDS VE CC BT CHECK DRWN DATE														
REV														