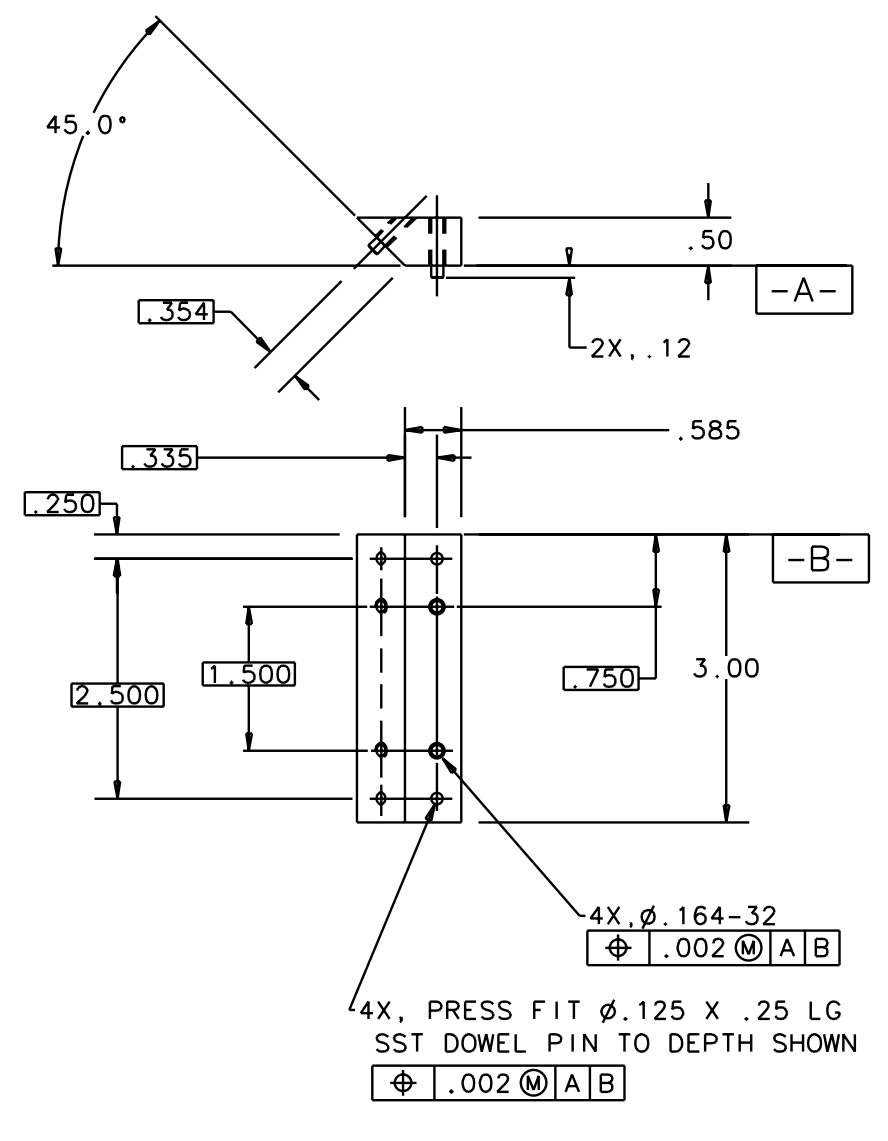
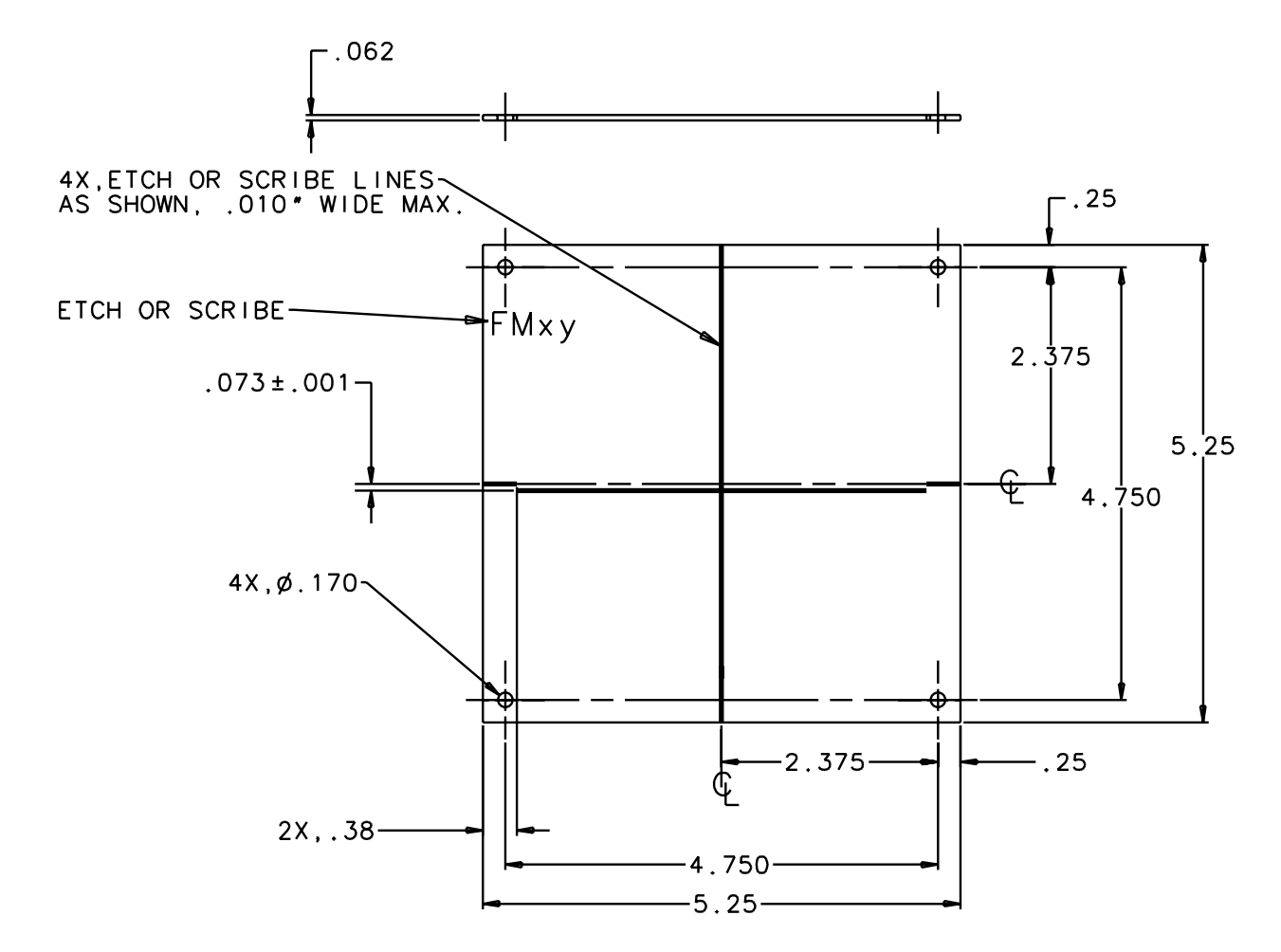


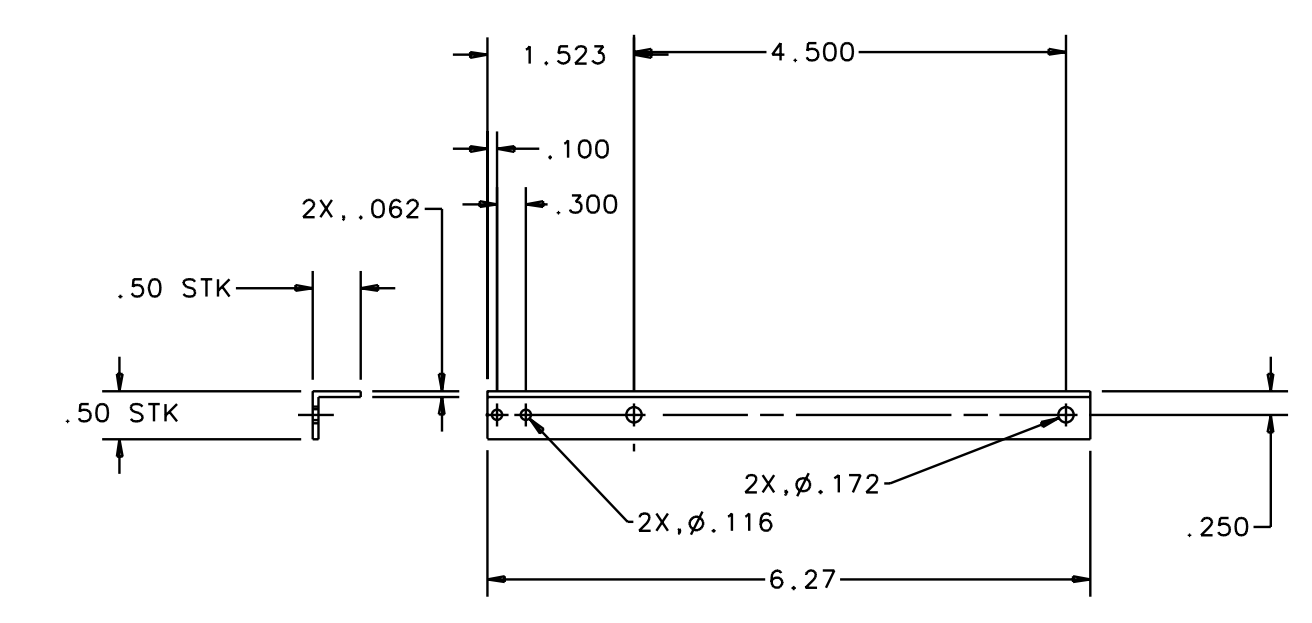
REV	DATE	DRAWN BY	CHECKED	DCC	DCN/DESCRIPTION



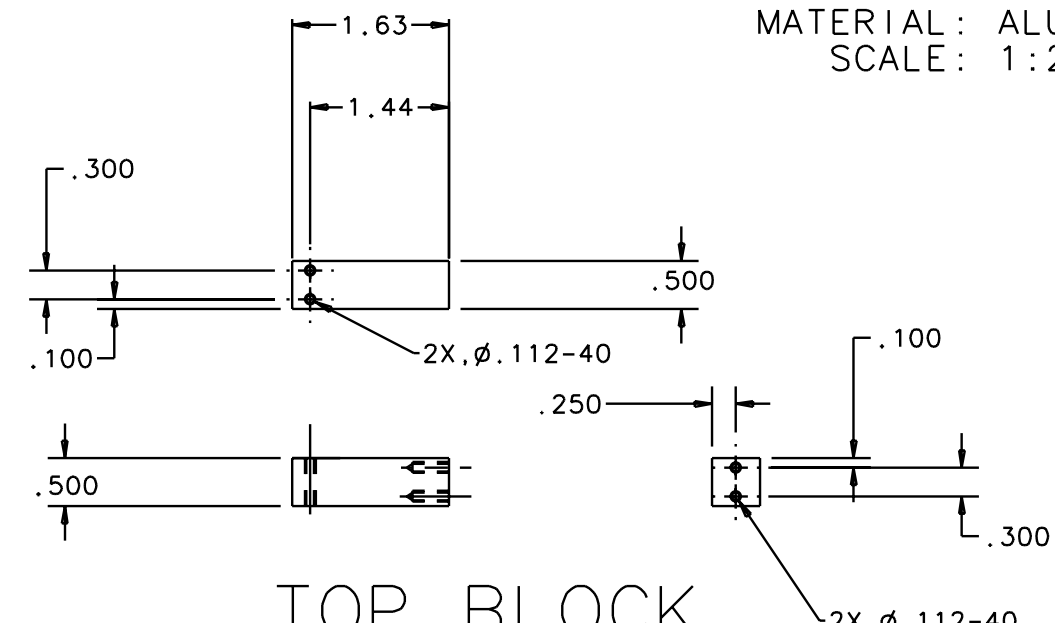
TRIANGLE BLOCK
 D000136
 MATERIAL: ALUM. 6061-T6
 SCALE: 1:2



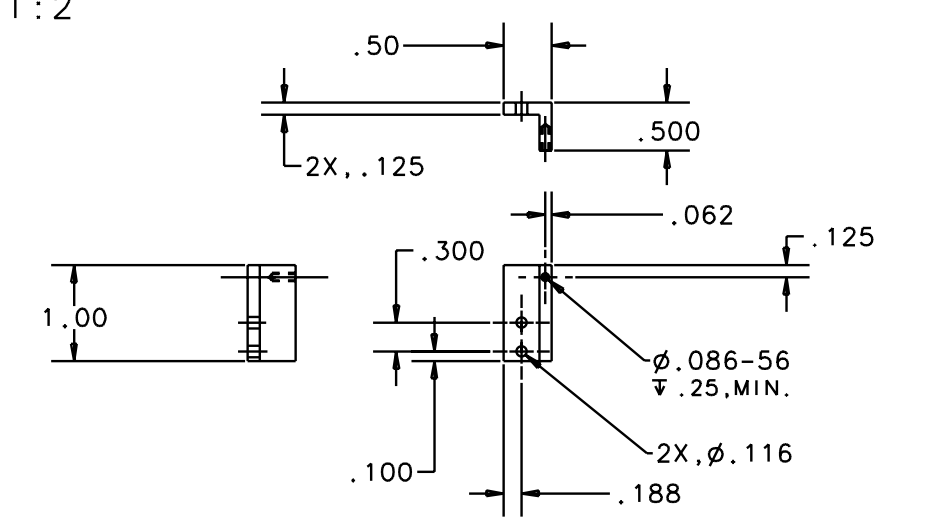
FMxy 2k TARGET
 D000135
 MATERIAL: LEXAN
 SCALE: 1:2



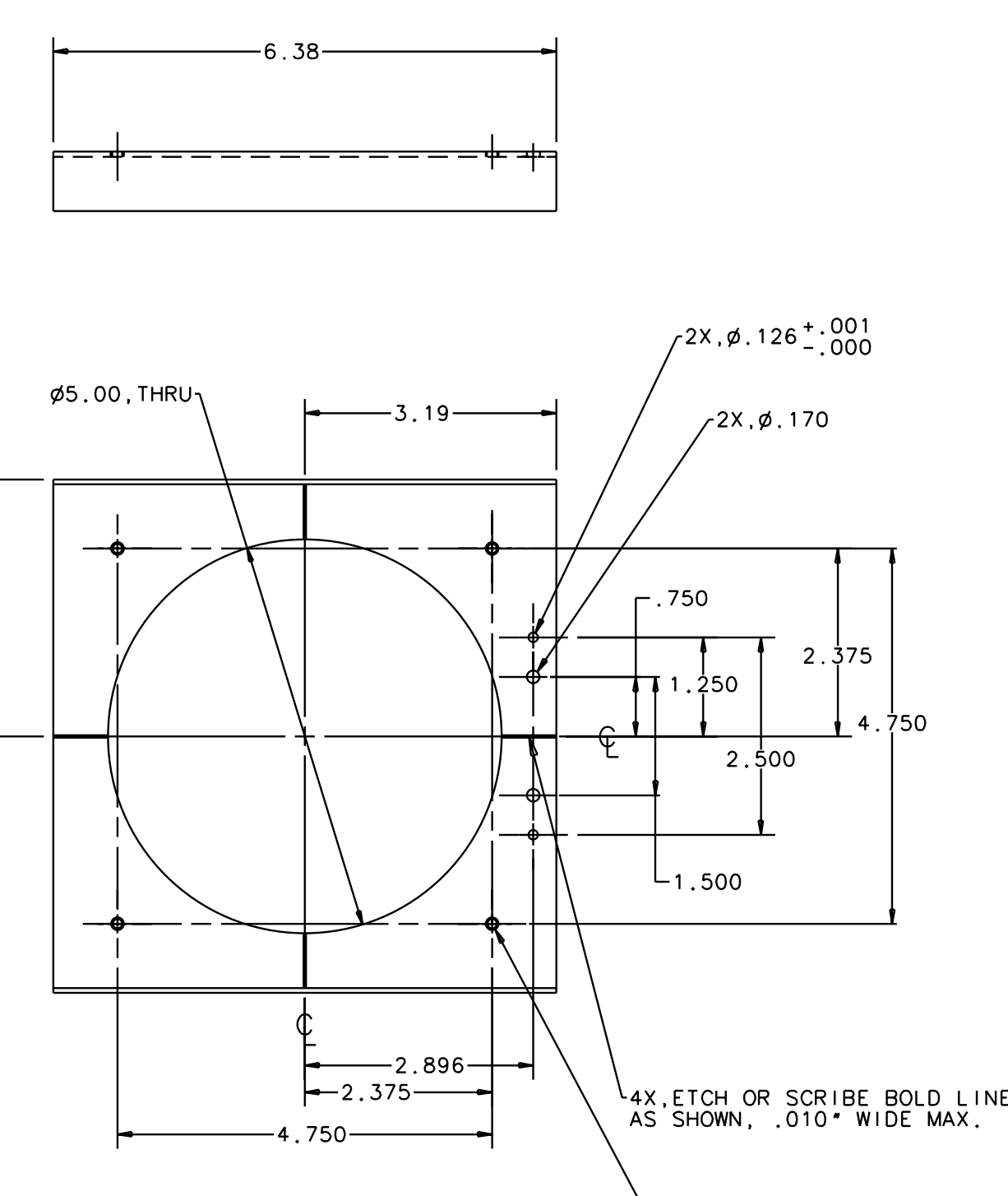
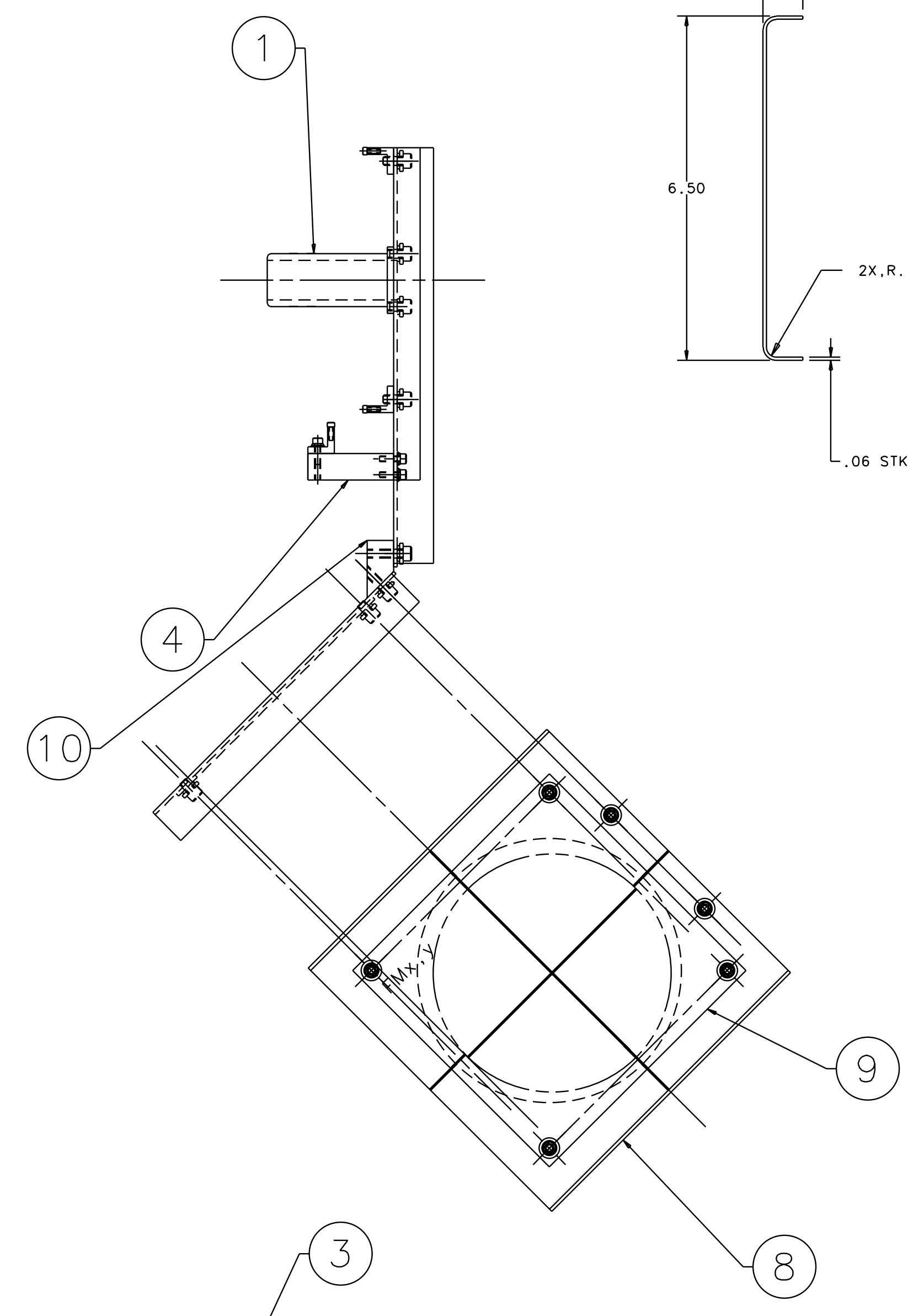
TOP CROSSBAR
 D000131
 MATERIAL: ALUM 6063
 SCALE: 1:2



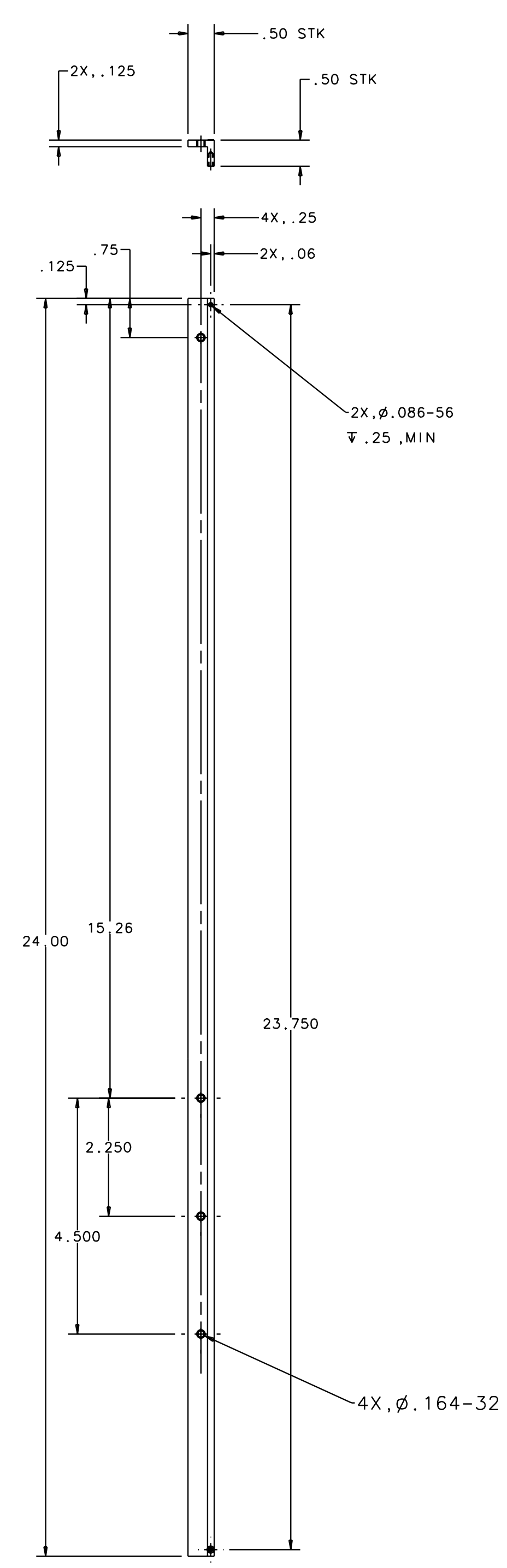
TOP BLOCK
 D000130
 MATERIAL: ALUM 6061-T6
 SCALE: 1:2



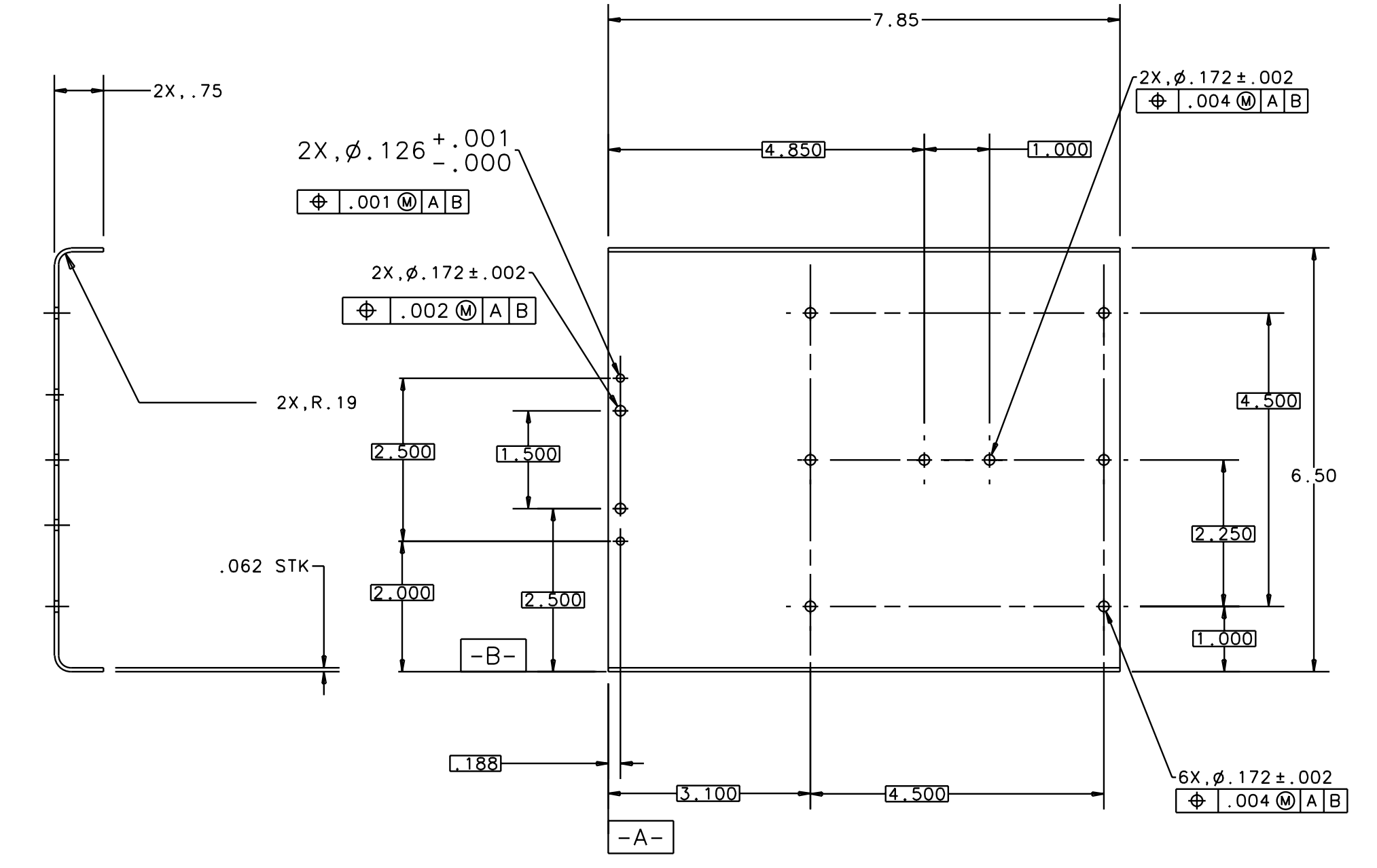
FRONT STOPPER
 D000129
 MATERIAL: ALUM 6063 OR 6061-T6
 SCALE: 1:2



TARGET FRAME
 D000134
 MATERIAL: ALUM 5052-H32
 SCALE: 1:2



LEG 1
 D000132
 MATERIAL: ALUM 6063
 SCALE: 1/1
 LEG 2, D000133 IS MIRROR IMAGE OF LEG 1



BRACE
 D000128
 MATERIAL: ALUM. 5052-H32
 SCALE: 1:2

QTY	REQD	FSCM NO	PART OR IDENTIFYING NO	NOMENCLATURE OR DISCRPTION	MATERIAL SPECIFICATION	ITEM NO
1			D000136	TRIANGLE BLOCK	ALUM 6061-T6	10
1			D000135	FMxy2k TARGET	LEXAN	9
1			D000134	TARGET FRAME	ALUM 5052-H32	8
1			D000133	LEG 1	ALUM 6063	7
1			D000132	LEG 2	ALUM 6063	6
1			D000131	TOP CROSSBAR	ALUM 6063	5
1			D000130	TOP BLOCK	ALUM 6061-T6	4
1			D000129	FRONT STOPPER	ALUM 6063 OR 6061-T6	3
1			D000128	BRACE	ALUM 5052-H32	2
1			D000127	FAUX OSEM	ALUM 6061-T6	1

DRWN	J. Romie	DATE	4-10-00	CALIFORNIA INSTITUTE OF TECHNOLOGY MASSACHUSETTS INSTITUTE OF TECHNOLOGY		LIGO PROJECT	
CHKD				1-Deas CAD file: dcc file:			
ENGR				TITLE			
APPD				UNLESS OTHERWISE SPECIFIED: DIMENSION UNITS ARE inches [mm] TOLERANCES ARE: X.XXX: ± 0.005 X.XX: ± 0.01 ANGLES: ± 0.5°			
SCALE: NTS		SIZE	E	DRAWING NUMBER	D000126-00-D		SHEET
						1	OF 1