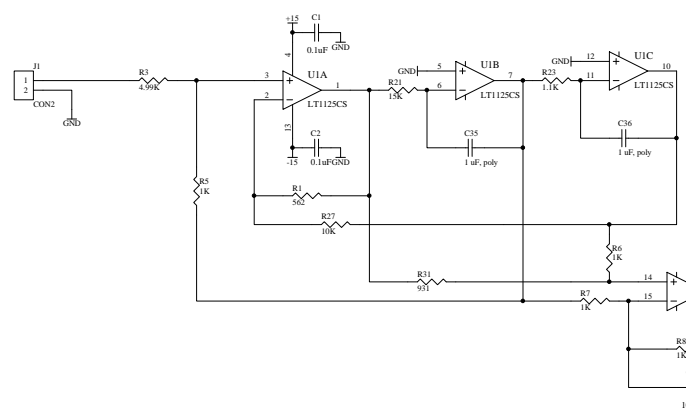


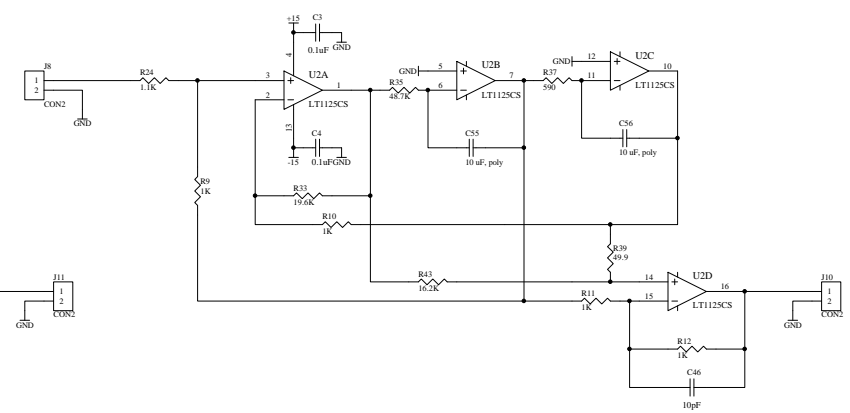
Transfer Function 2

$$K \frac{s^2 + 64.14s + 5.653e4}{s^2 + 58.64s + 3444}$$

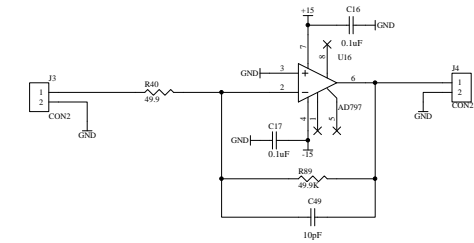


Transfer Function 1

$$K \frac{s^2 + 336s + 1.131e5}{s^2 + 22.4s + 6893}$$

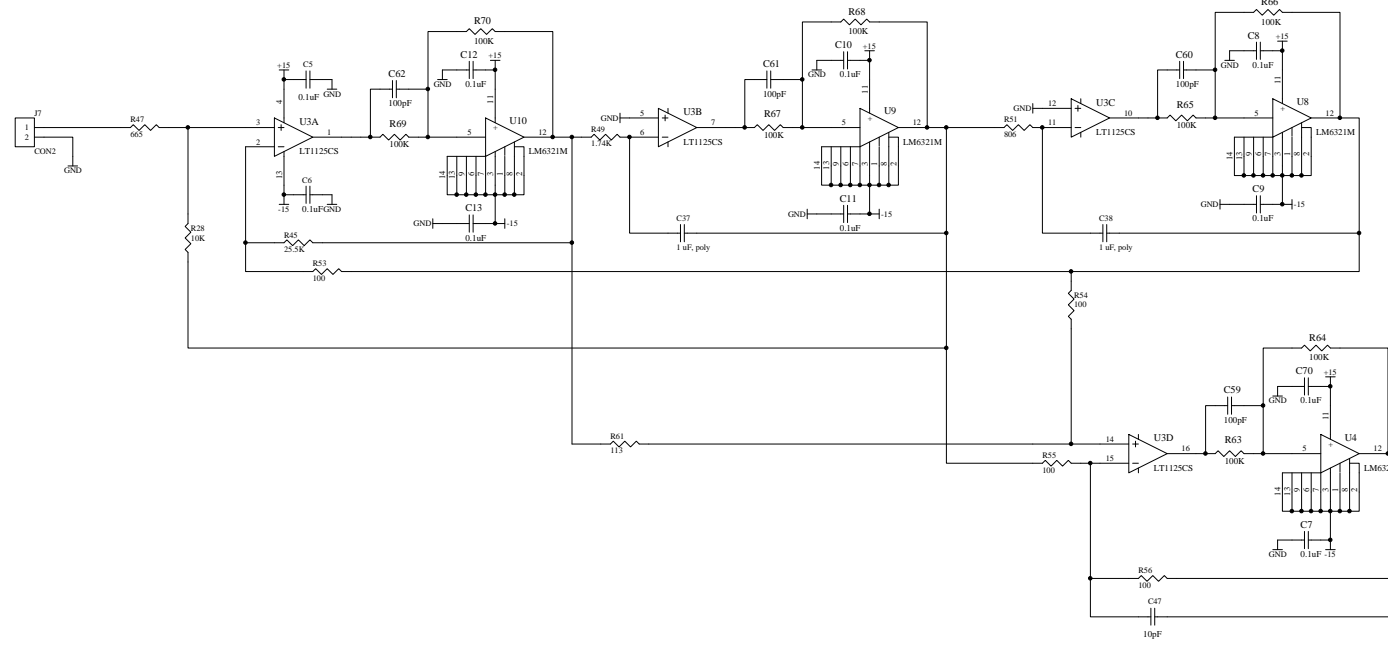


High Gain, Low Noise for noise measurement

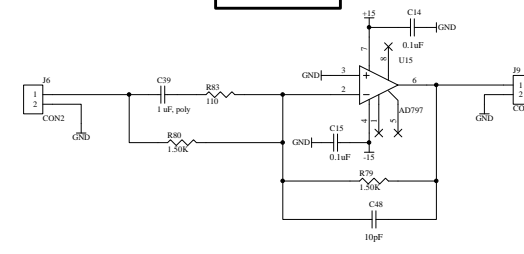


Transfer Function 3

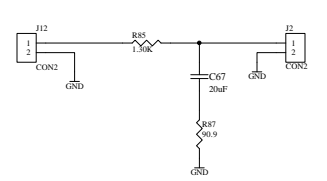
$$K \frac{s^2 + 614.2s + 8.036e5}{s^2 + 9213s + 1.808e8}$$



Fpole= 1466 Hz  
Fzero= 97.76 Hz



Fpole=5.77 Hz  
Fzero= 86.7 Hz





1

2

3

4

5

6

UnivDewhiteProto1  
UnivDewhiteProto1.Sch



UnivDewhiteProto2  
UnivDewhiteProto2.Sch



D

D

C


C

B

B

A

A

Title		<i>Universal Dewhiteing Filter Prototype</i>		LIGO Laboratory California Institute of Technology Massachusetts Institute of Technology		LIGO 	
Size: B	DCC Number: D000137	SCH / PCB Revision: 00	Engineer: J. Heefner	Date: 11-Apr-2000	Time: 14:49:39		
File: K:\h\cad\ligo\users\jay\UnivDewhite\Prototype\UnivDewhiteProto.prj				Sheet 0 of 2			

1

2

3

4

5

6