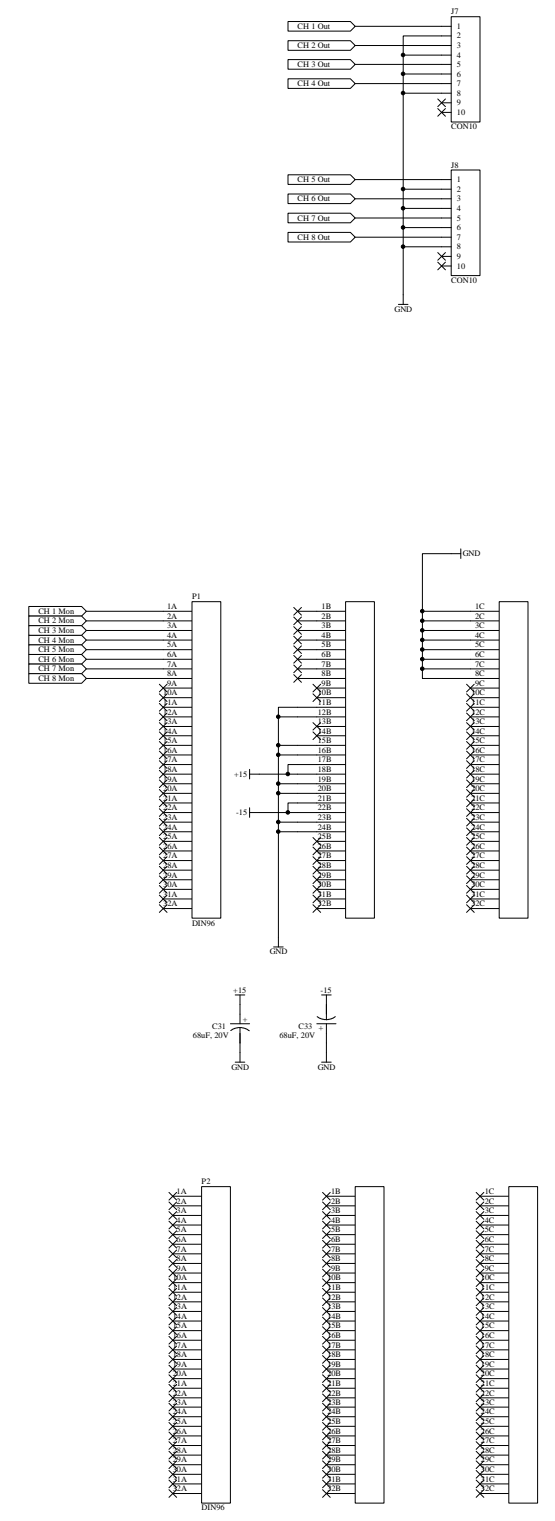
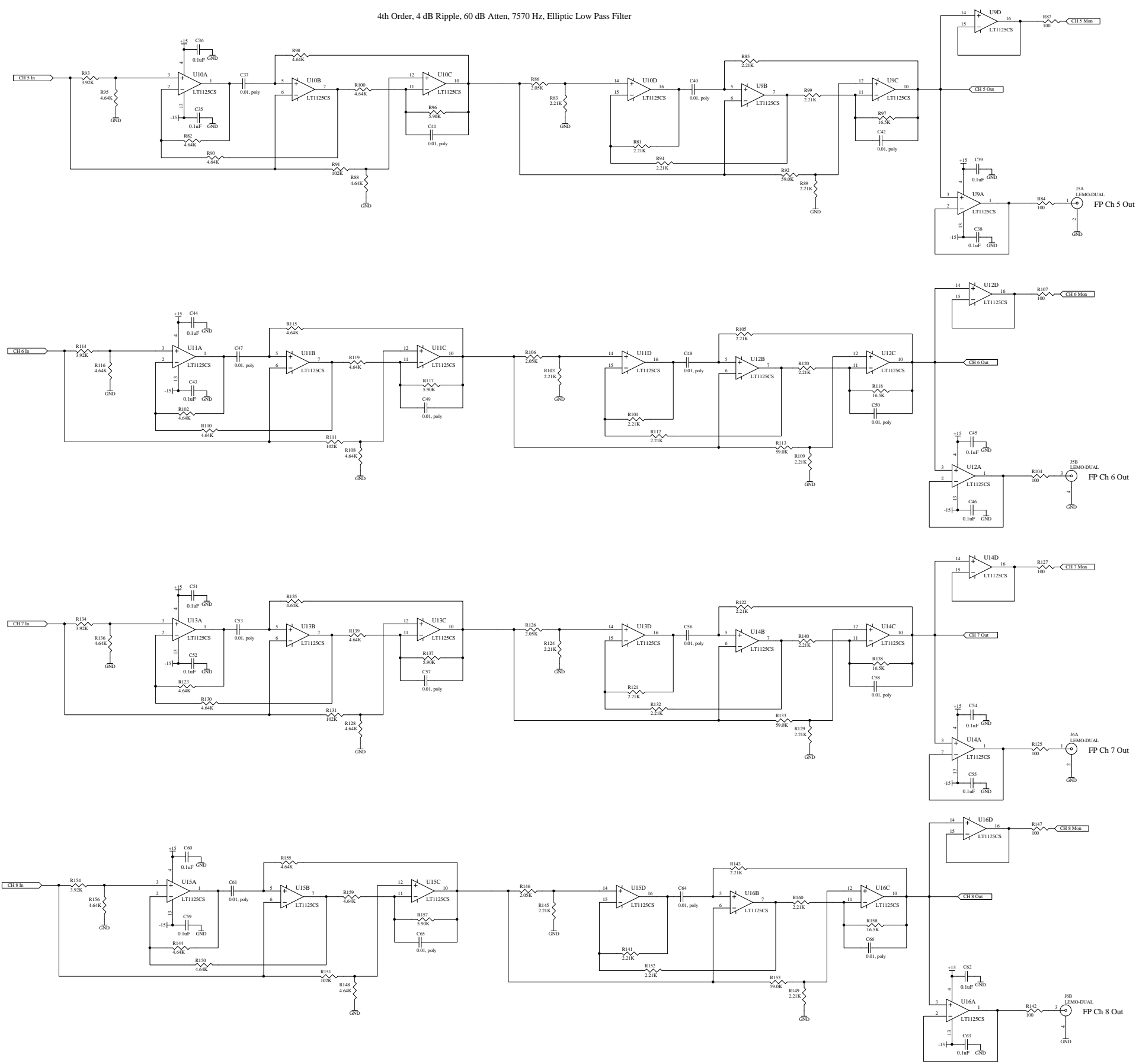
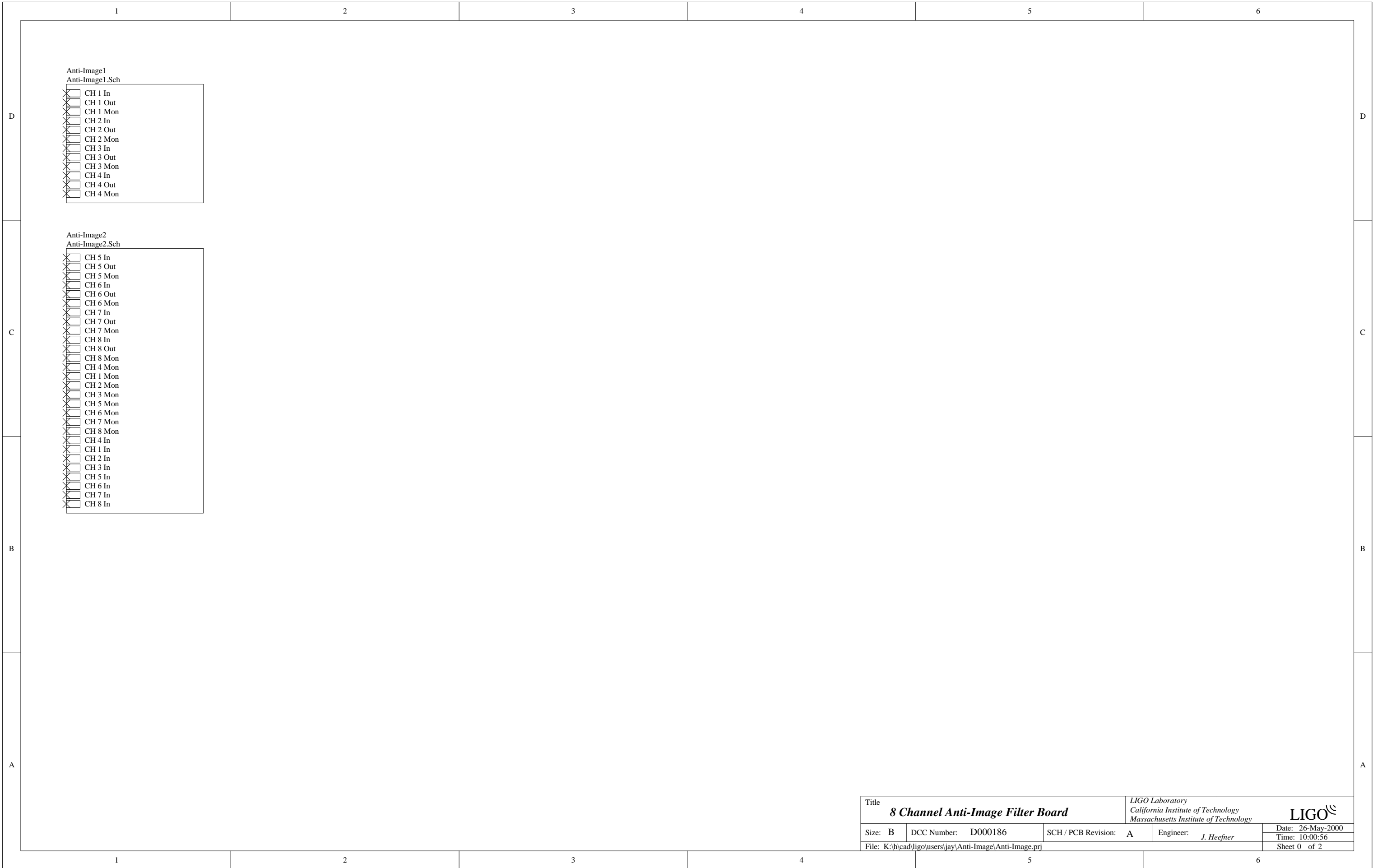


4th Order, 4 dB Ripple, 60 dB Atten, 7570 Hz, Elliptic Low Pass Filter





Anti-Image1
Anti-Image1.Sch

- CH 1 In
- CH 1 Out
- CH 1 Mon
- CH 2 In
- CH 2 Out
- CH 2 Mon
- CH 3 In
- CH 3 Out
- CH 3 Mon
- CH 4 In
- CH 4 Out
- CH 4 Mon

Anti-Image2
Anti-Image2.Sch

- CH 5 In
- CH 5 Out
- CH 5 Mon
- CH 6 In
- CH 6 Out
- CH 6 Mon
- CH 7 In
- CH 7 Out
- CH 7 Mon
- CH 8 In
- CH 8 Out
- CH 8 Mon
- CH 4 Mon
- CH 1 Mon
- CH 2 Mon
- CH 3 Mon
- CH 5 Mon
- CH 6 Mon
- CH 7 Mon
- CH 8 Mon
- CH 4 In
- CH 1 In
- CH 2 In
- CH 3 In
- CH 5 In
- CH 6 In
- CH 7 In
- CH 8 In

Title		8 Channel Anti-Image Filter Board		LIGO Laboratory California Institute of Technology Massachusetts Institute of Technology		LIGO	
Size: B	DCC Number: D000186	SCH / PCB Revision: A	Engineer: J. Heefner	Date: 26-May-2000		Time: 10:00:56	
File: K:\hcad\ligo\users\jay\Anti-Image\Anti-Image.prj				Sheet 0 of 2			