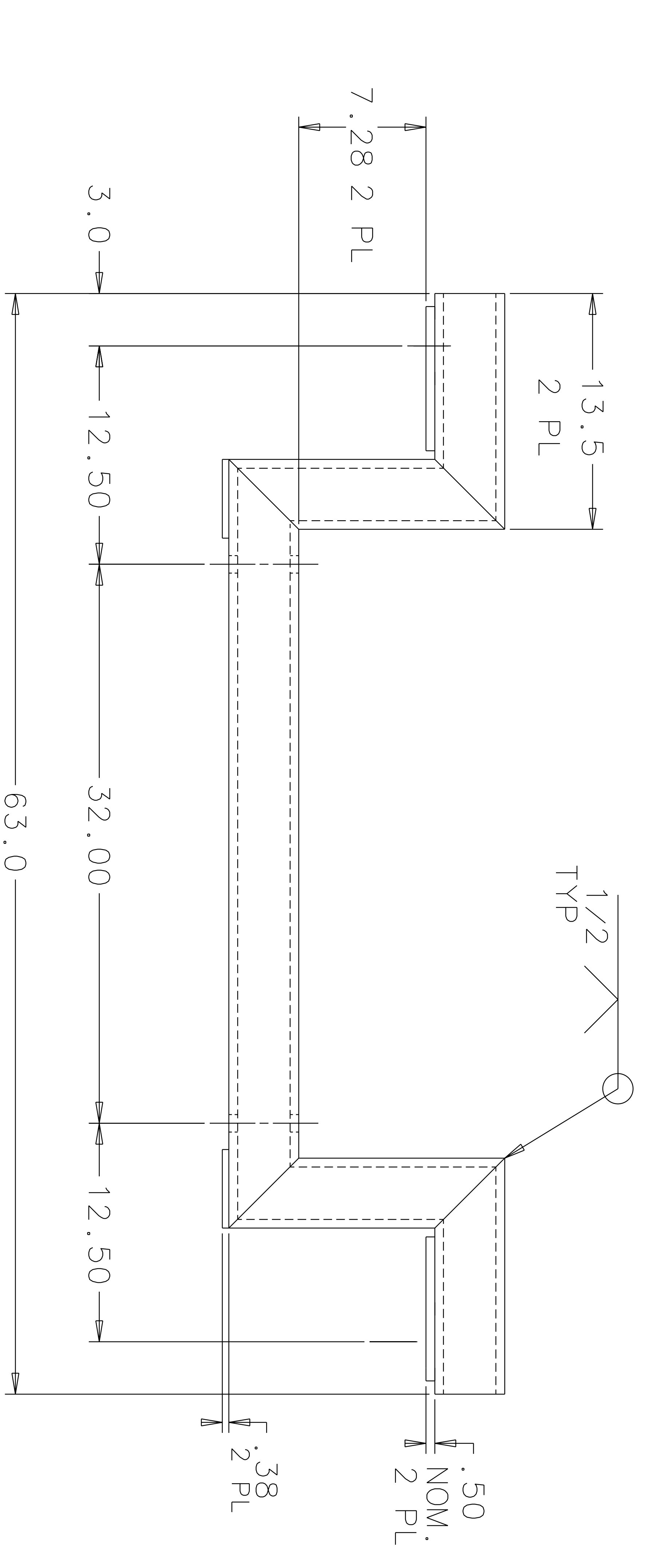
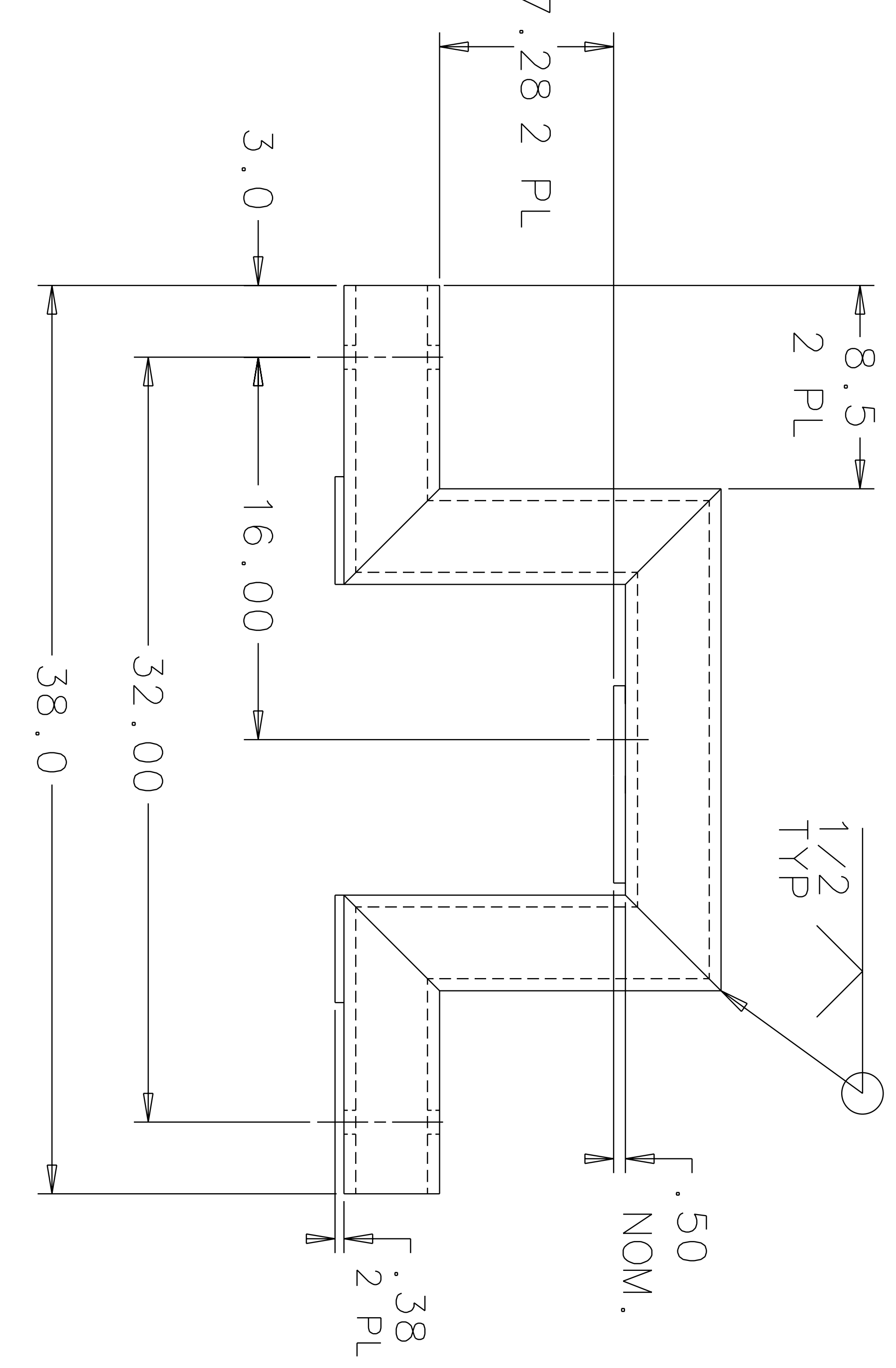
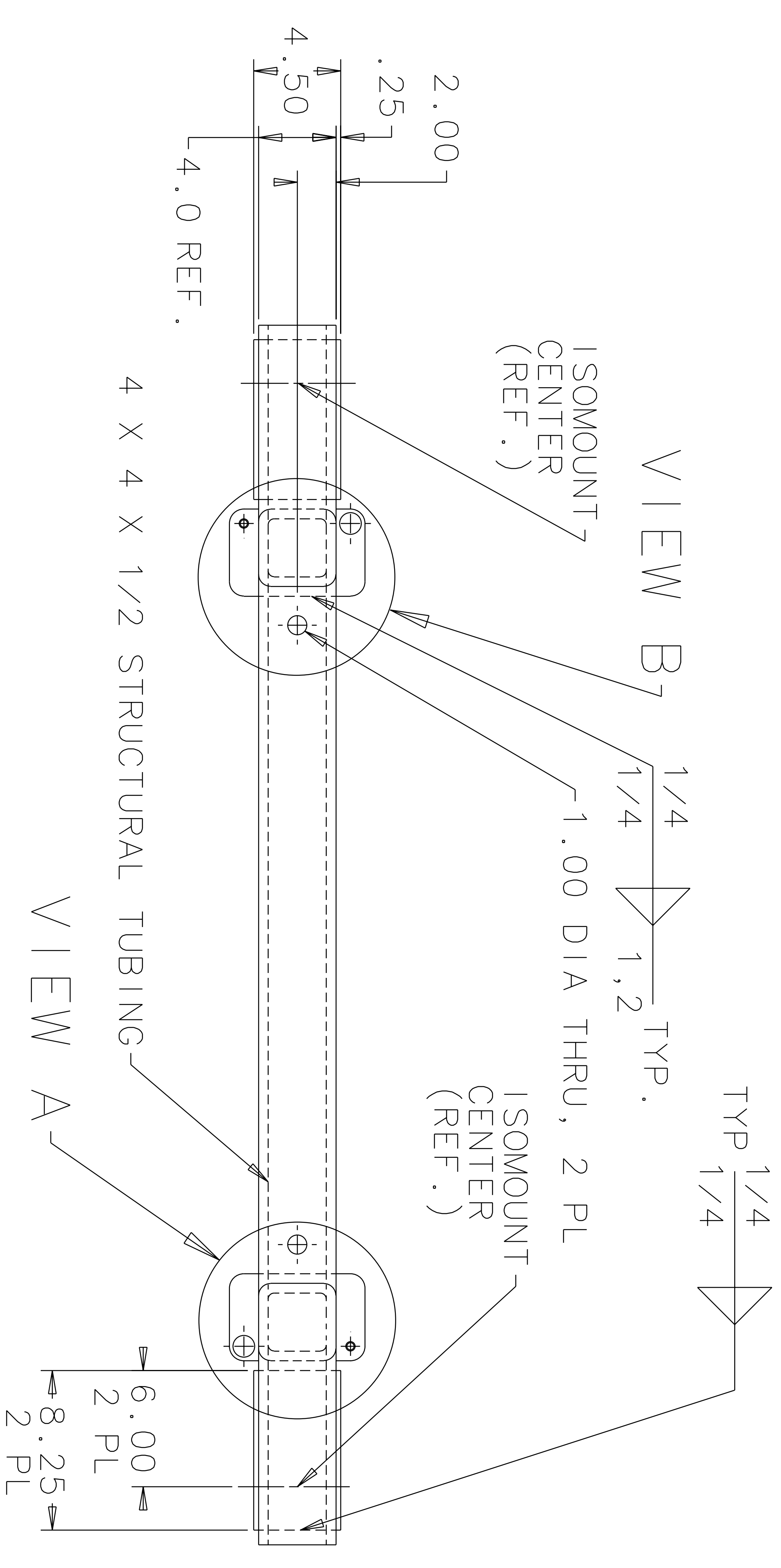
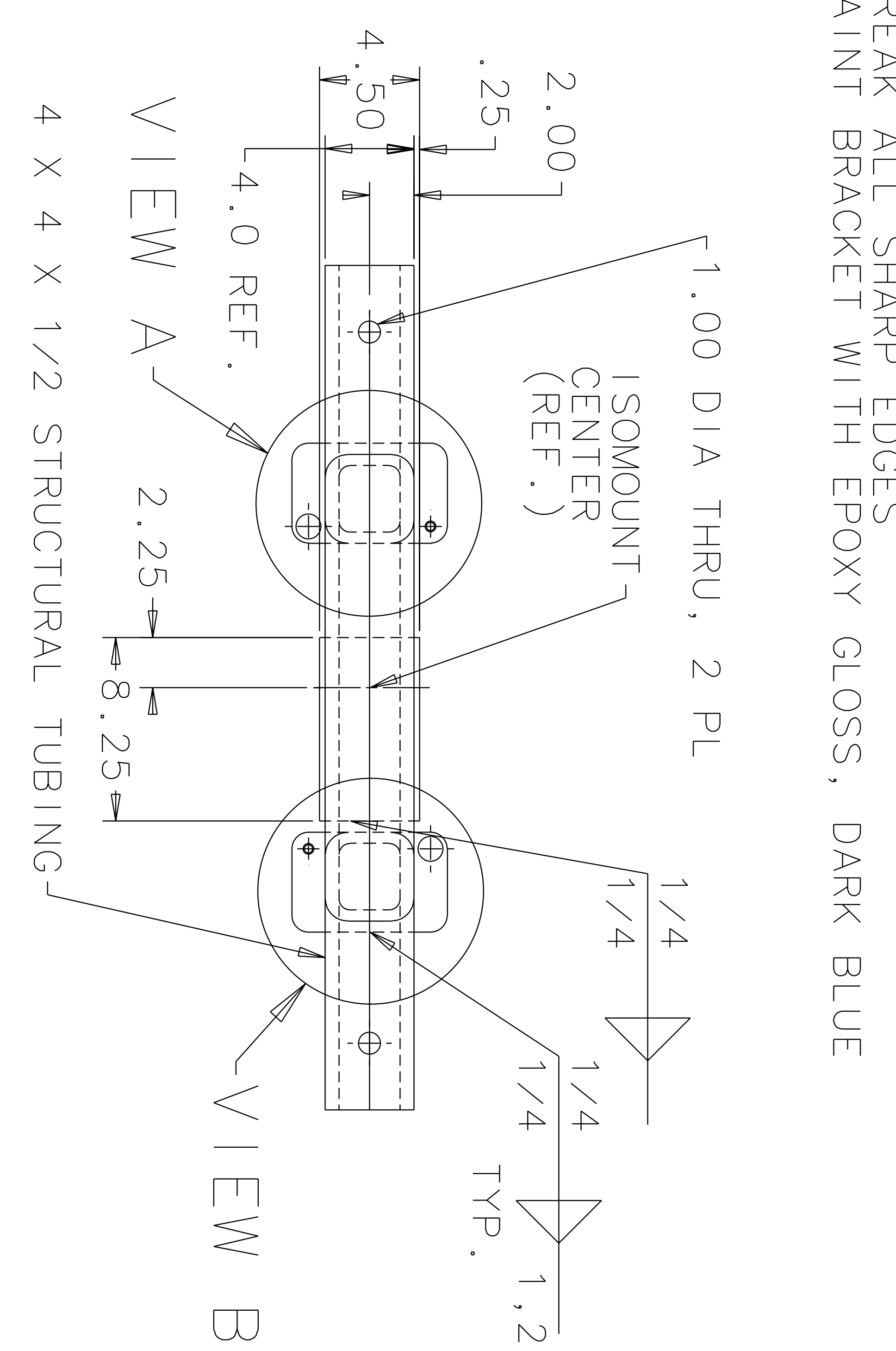
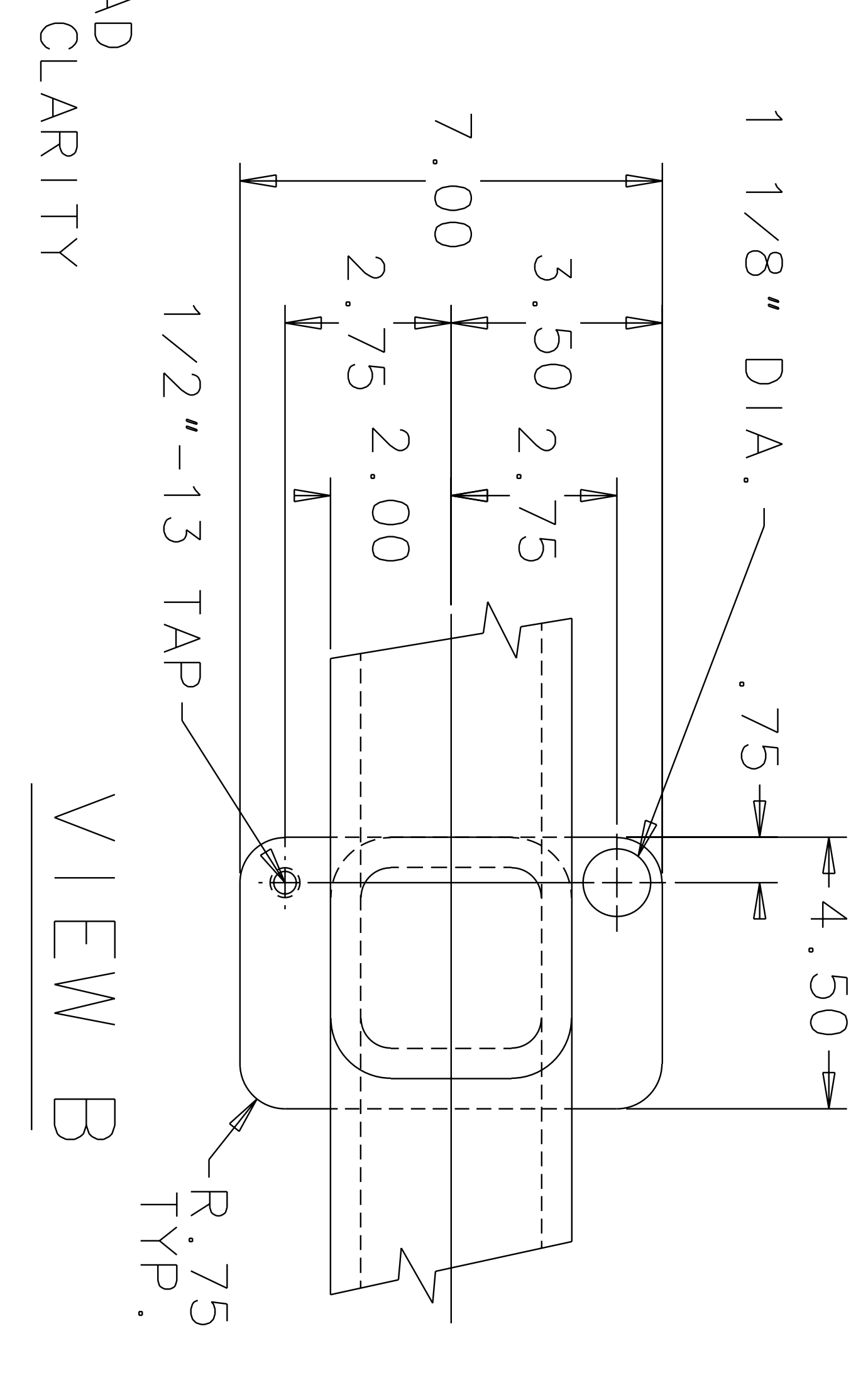
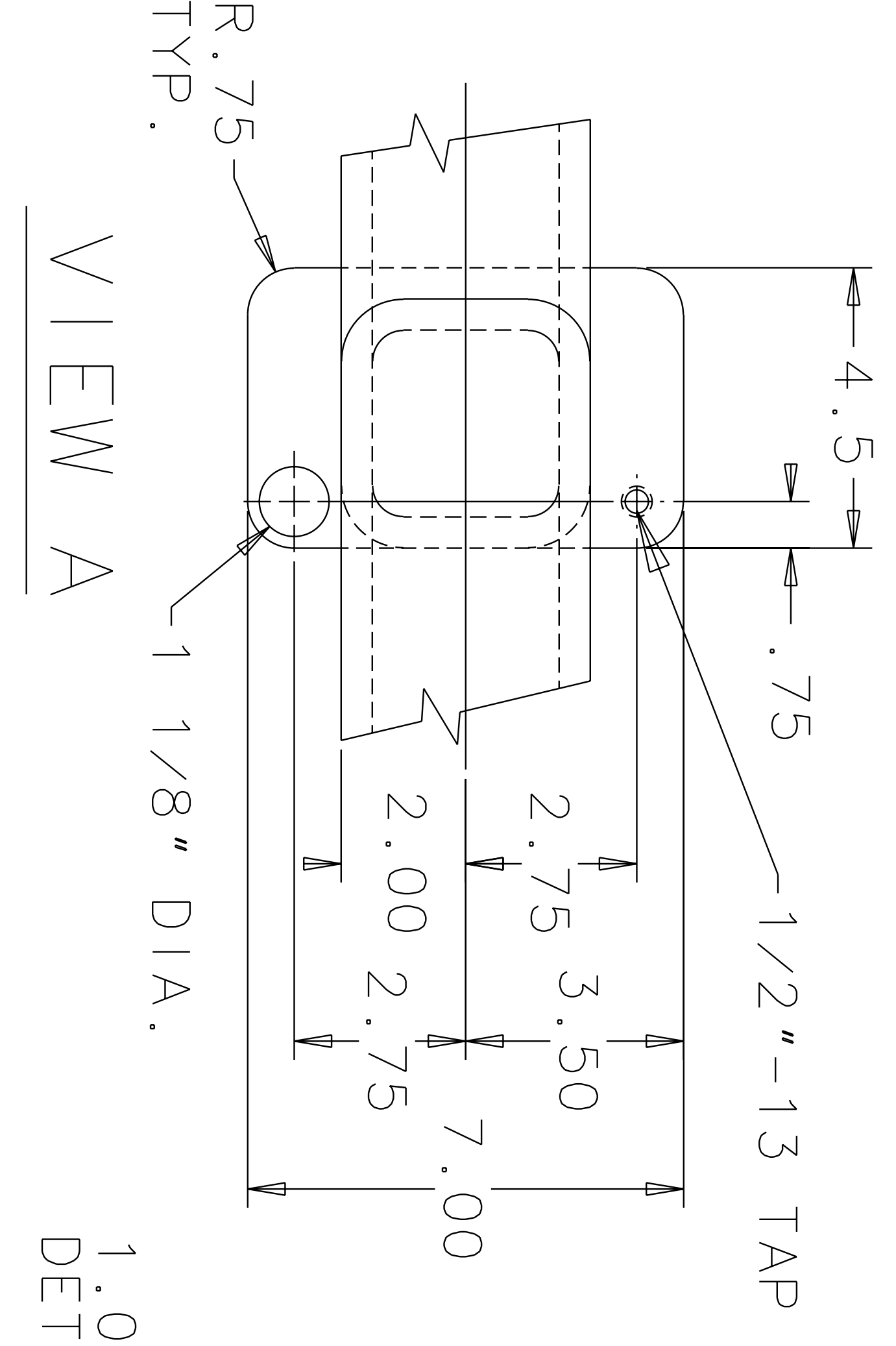


GENERAL NOTES, BOTH BRACKETS:
 1. MACHINE BOTTOM SURFACE OF 4.50" X 8.25" PADS TO CLEAN UP AFTER WELDING
 2. BREAK ALL SHARP EDGES
 3. PAINT BRACKET WITH EPOXY GLOSS, DARK BLUE



-1 SINGLE ISOLATOR BRACKET
 4 REQUIRED FOR 4 CHAMBERS
 WEIGHT: 121 LB EACH

-2 DUAL ISOLATOR BRACKET
 4 REQUIRED FOR 4 CHAMBERS
 WEIGHT: 169 LB EACH



QTY	PART OR RECD IDENTIFYING NO	DATE	NOMENCLATURE OR DISCRPTION	MATERIAL SPECIFICATION	ITEM
		6/29/00	CALIFORNIA INSTITUTE OF TECHNOLOGY MASSACHUSETTS INSTITUTE OF TECHNOLOGY	LIGO PROJECT	
DRWN	L. JONES				
CHKD					
ENGR					
APPD					
UNLESS OTHERWISE SPECIFIED:					
DIMENSION UNITS ARE inches (mm)					
X.XXX: ± 0.005					
X.XX: ± 0.03					
X.X: ± 0.1					
DO NOT SCALE DRAWING					
ISOLATOR BRACKETS FOR 40M ACTIVE ISOLATORS				SCALE: NTS	SHEET 1 OF 1