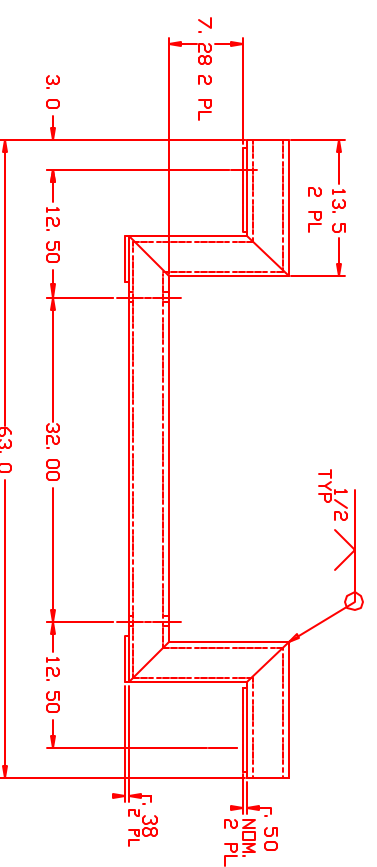
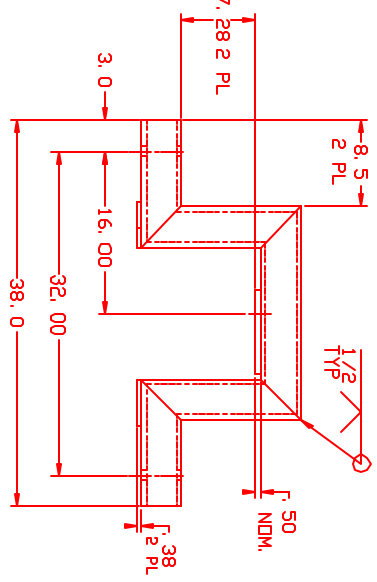
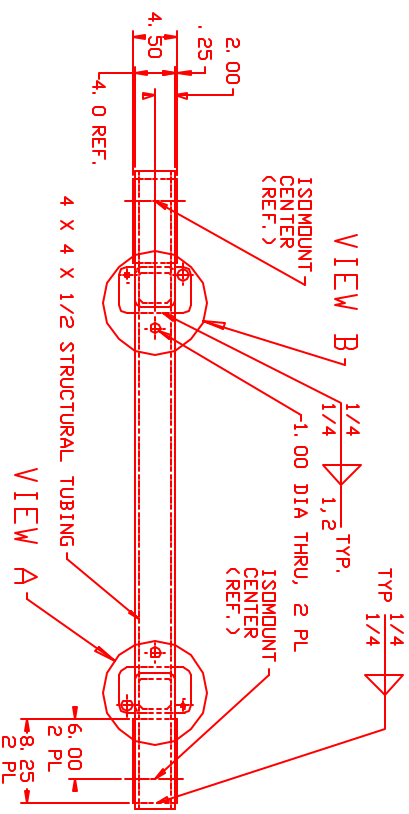
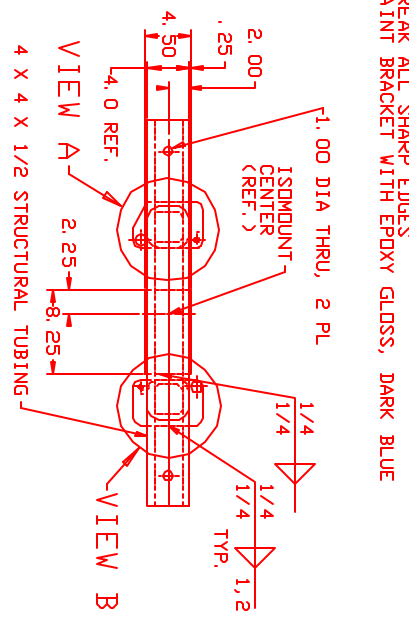


GENERAL NOTES: BOTH BRACKETS:
 1. MACHINE BOTTOM SURFACE OF 4.50" X 8.25" PADS TO CLEAN UP AFTER WELDING
 2. BREAK ALL SHARP EDGES
 3. PAINT BRACKET WITH EPOXY GLOSS, DARK BLUE

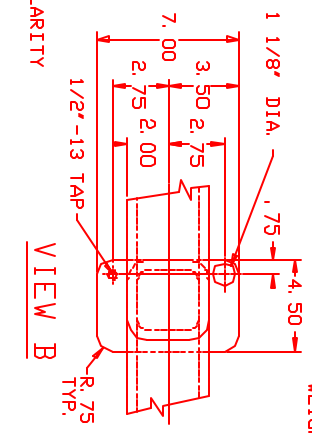
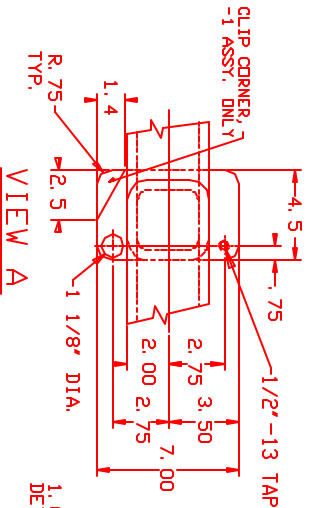


-1 SINGLE ISOLATOR BRACKET

4 REQUIRED FOR 4 CHAMBERS
 WEIGHT: 121 LB EACH

-2 DUAL ISOLATOR BRACKET

4 REQUIRED FOR 4 CHAMBERS
 WEIGHT: 169 LB EACH



1.00 DIA HOLE & UPPER PAD
 DETAILS ARE OMITTED FOR CLARITY

REV	DATE	BY	CHKD	DESCRIPTION
1	08/18/20	JL	JL	ISSUED FOR FABRICATION
2	08/18/20	JL	JL	ISSUED FOR FABRICATION

PROJECT: ISOLATOR BRACKETS FOR 40M ACTIVE ISOLATORS
 DRAWING NO: 0000187-B
 SHEET NO: 2 OF 2