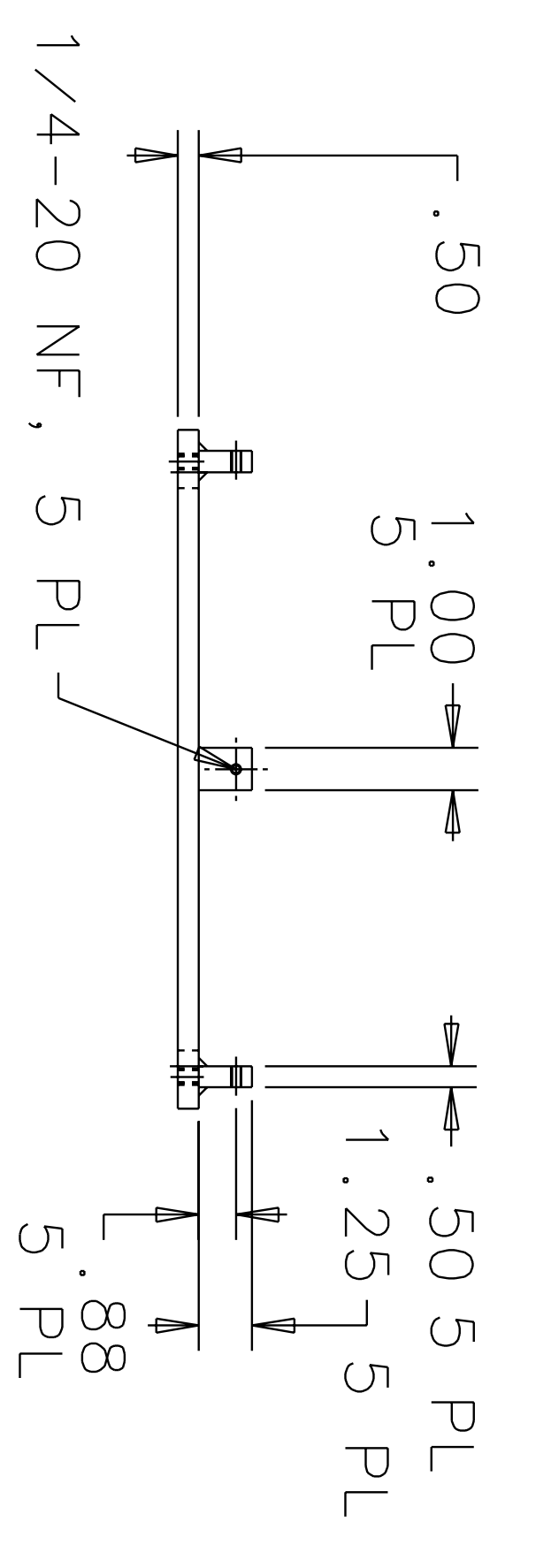
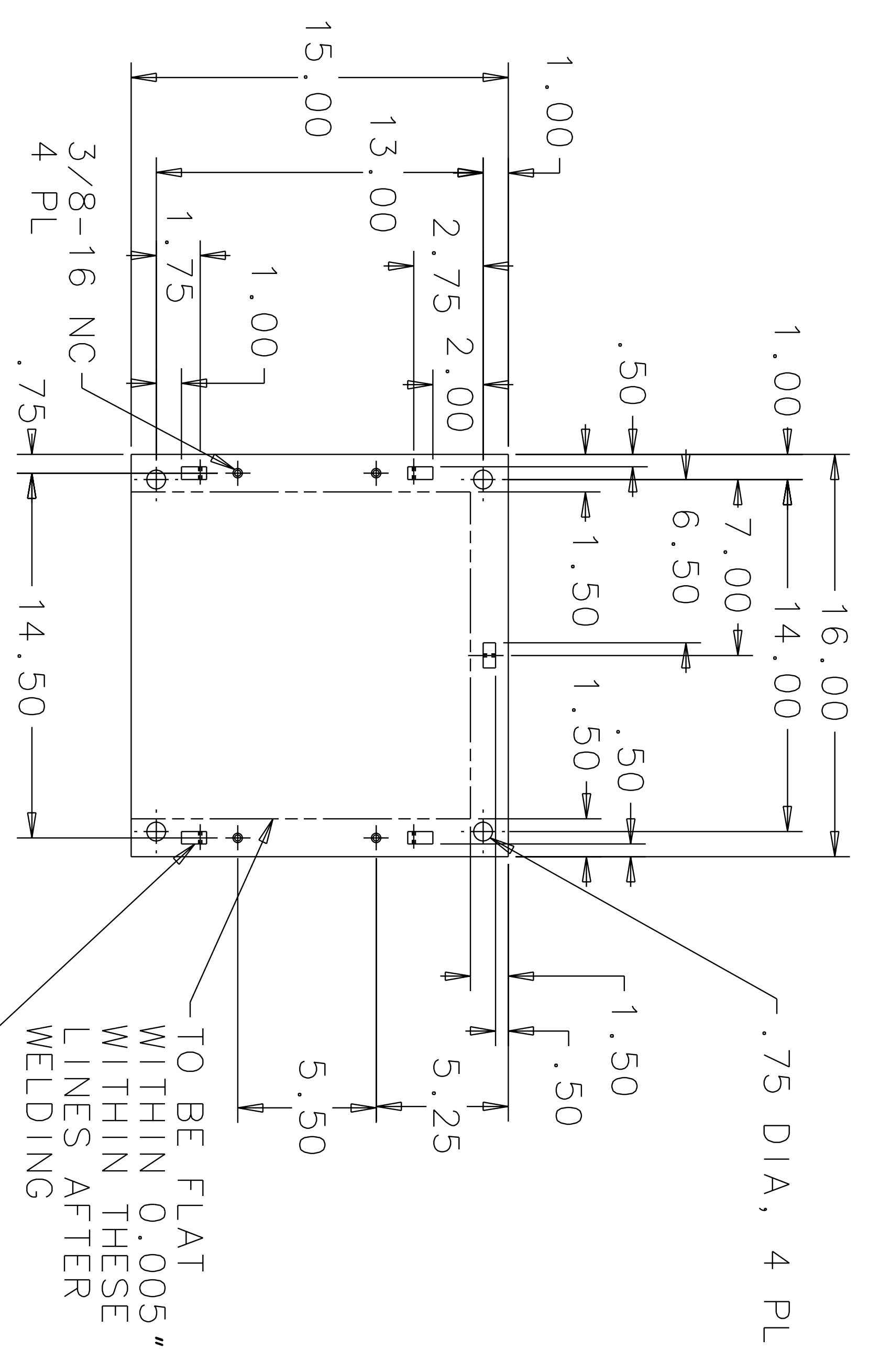
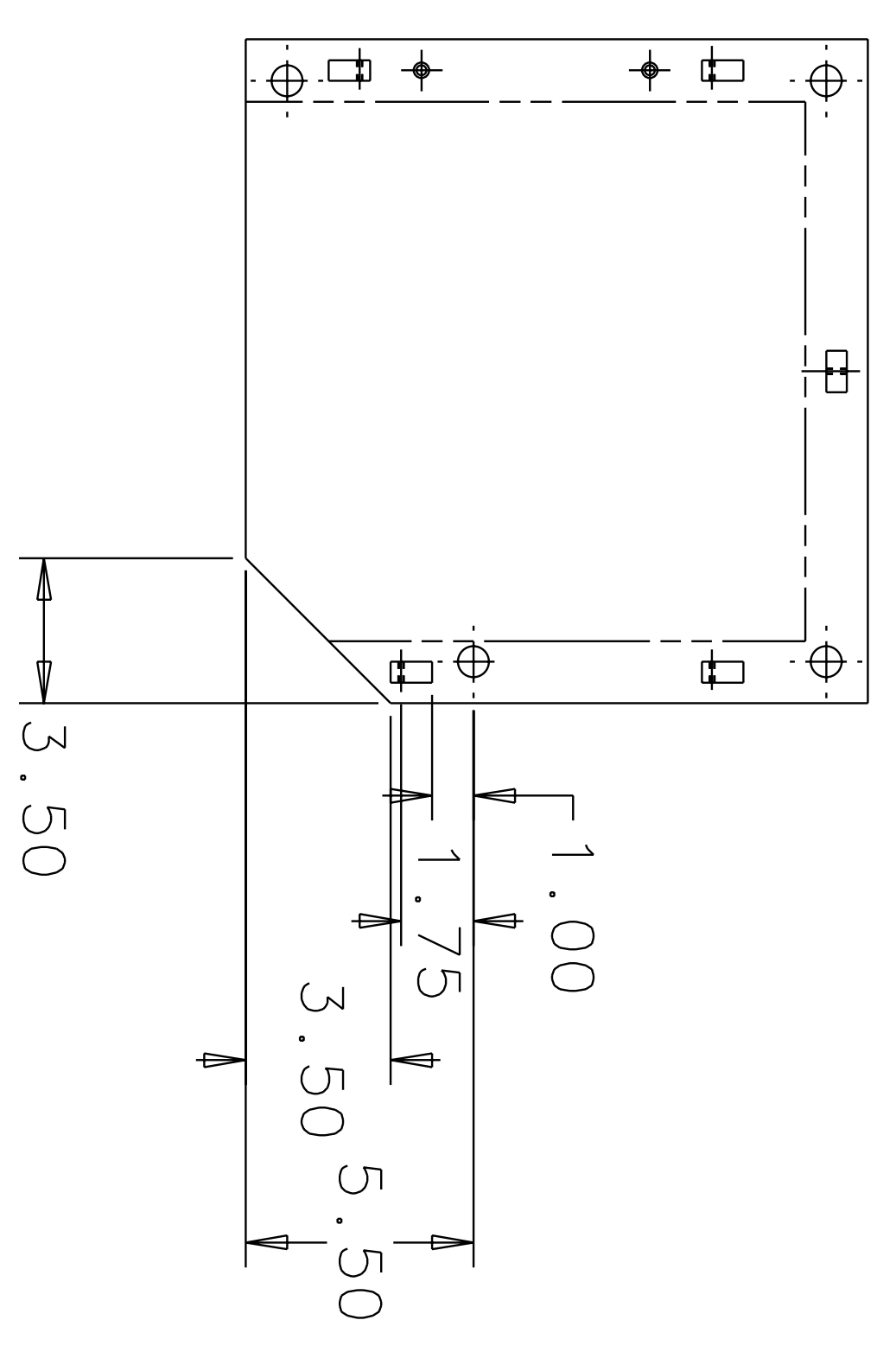


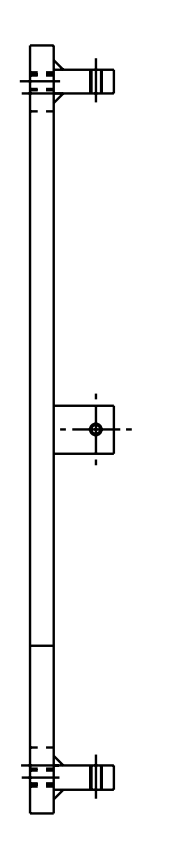
REV	DATE	DRAWN BY	CHECKED	DOC	DESCRIPTION
2					



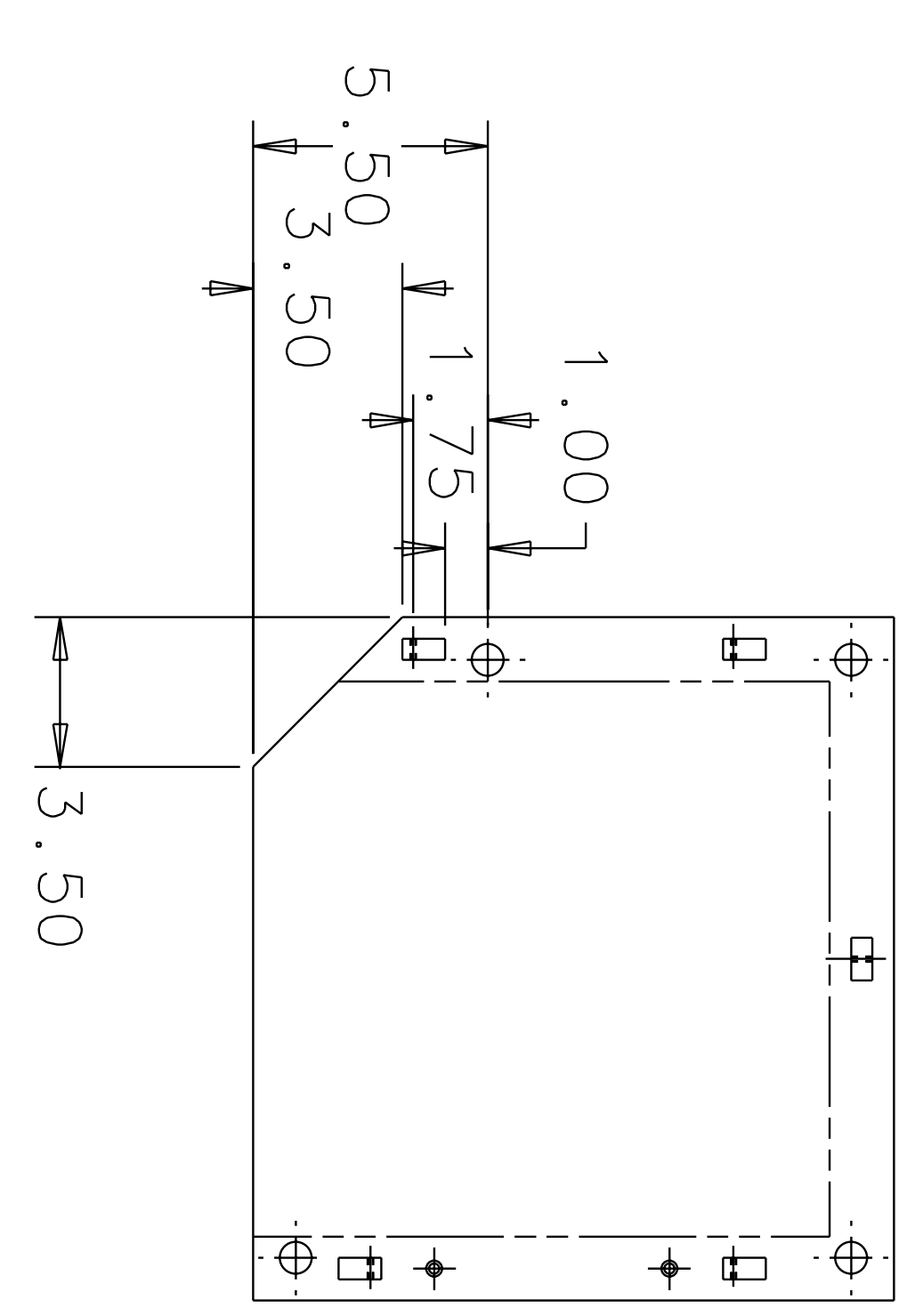
-1 GROUT PLATE, SYMMETRICAL
10 REQUIRED



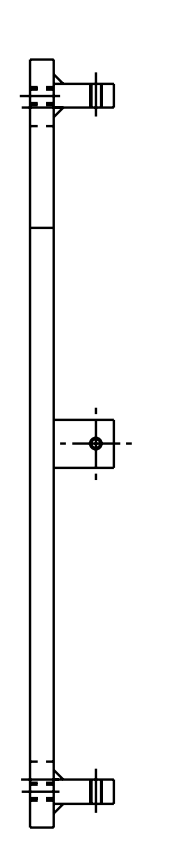
ALL OTHER DIMENSIONS OF FEATURES ARE IDENTICAL TO THOSE OF SYMMETRICAL UNIT



-2 GROUT PLATE, RIGHT CLIP
1 REQUIRED



ALL OTHER DIMENSIONS OF FEATURES ARE IDENTICAL TO THOSE OF SYMMETRICAL UNIT



-3 GROUT PLATE, LEFT CLIP
1 REQUIRED

ALL MATERIAL: TYPE 304 OR 304L STAINLESS STEEL

QTY	PART OR RECD IDENTIFYING NO	NOMENCLATURE OR DESCRIPTION	MATERIAL SPECIFICATION	ITEM NO
PARTS LIST				
DRWN	L. JONES	DATE	7/6/00	
ENGR				
APPD				
UNLESS OTHERWISE SPECIFIED:				
DIMENSION UNITS ARE inches (mm)				
X.XXX: ± 0.005				
X.XX: ± 0.03				
X.X: ± 0.1				
DO NOT SCALE DRAWING				
GROUT PLATES FOR 40M ACTIVE ISOLATORS			SCALE: NTS	
CALIFORNIA INSTITUTE OF TECHNOLOGY			SHEET 1 OF 1	
MASONER'S INSTITUTE OF TECHNOLOGY			D000208-A	
LIGO PROJECT			D000208-A	