

1

2

3

4

NOTES: (UNLESS OTHERWISE SPECIFIED)
 1. FABRICATION INSTRUCTIONS FOR THIS ASSEMBLY ARE DETAILED IN LIGO-E000388.

REV	DATE	DRAWN BY	CHECKED	DCC	DCN/DESCRIPTION
A	10-27-00	J.Romie			E000482/INITIAL RELEASE
B	01-16-01	J.Romie			E010013/CHANGE NOTES

A

A

B

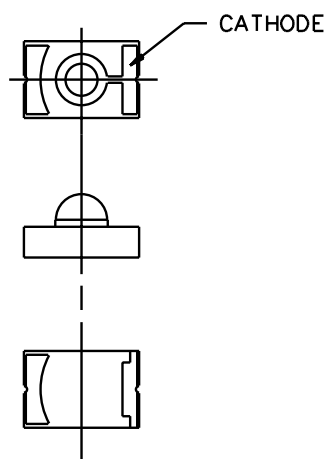
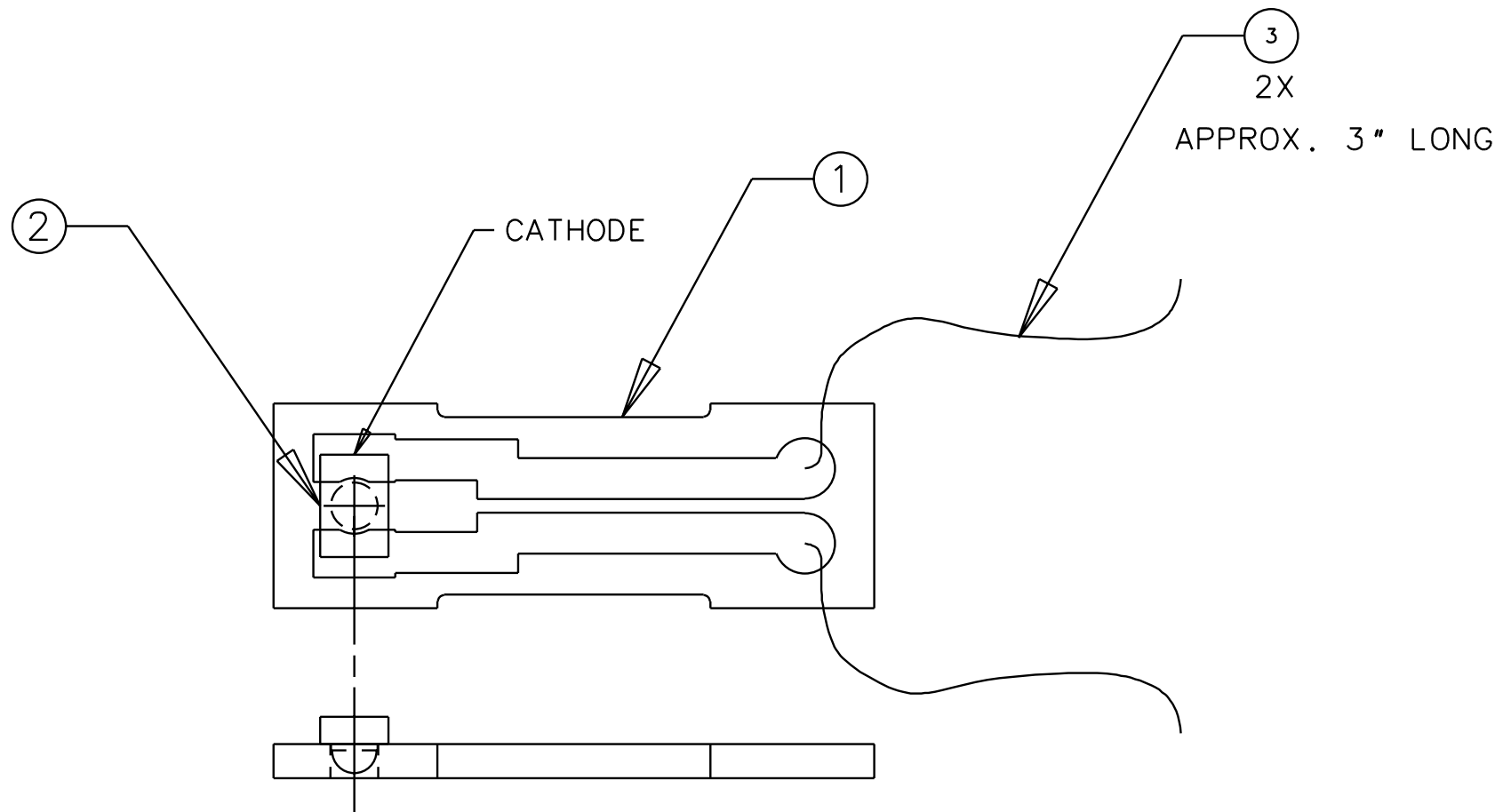
B

C

C

D

D



HONEYWELL LED SME-2470-001

QTY REQD	PART OR IDENTIFYING NO	NOMENCLATURE OR DESCRIPTION	MATERIAL SPECIFICATION	ITEM NO
				6
				5
A/R	MWS WIRE P/N 32 HML	KAPTON WIRE		4
1	HONEYWELL P/N SME-2470-001	SURFACE MOUNT LED		3
ALT	D000204	ALUMINA CIRCUIT BD., LONG, LED		2
1	D000194	ALUMINA CIRCUIT BOARD, LED		1

PARTS LIST			
UNLESS OTHERWISE SPECIFIED DIMENSIONS ARE IN INCHES TOLERANCES ARE:		APPROVALS	DATE
FRACTIONS	DECIMALS	DRAWN	5/00
0.XX=±0.01	0.XXX=±0.005	J. Romie	
0.XXX=±0.005	ANGLES=±0.5°	CHECKED	
DO NOT SCALE DRAWING			
NEXT ASSEMBLY D000069, D000180		MATERIAL	
FILE LOCATION /home/dcc/docs/D000243.pdf		FINISH	
		APPROVALS	
		DATE	
		TITLE	
		LIGO CALIFORNIA INSTITUTE OF TECHNOLOGY MASSACHUSETTS INSTITUTE OF TECHNOLOGY	
		CIRCUIT BOARD ASSEMBLY, LED	
		DWC NO. D000243	
		REV B	
		SCALE 4/1	
		SHEET 1 OF 1	

1

2

3

4