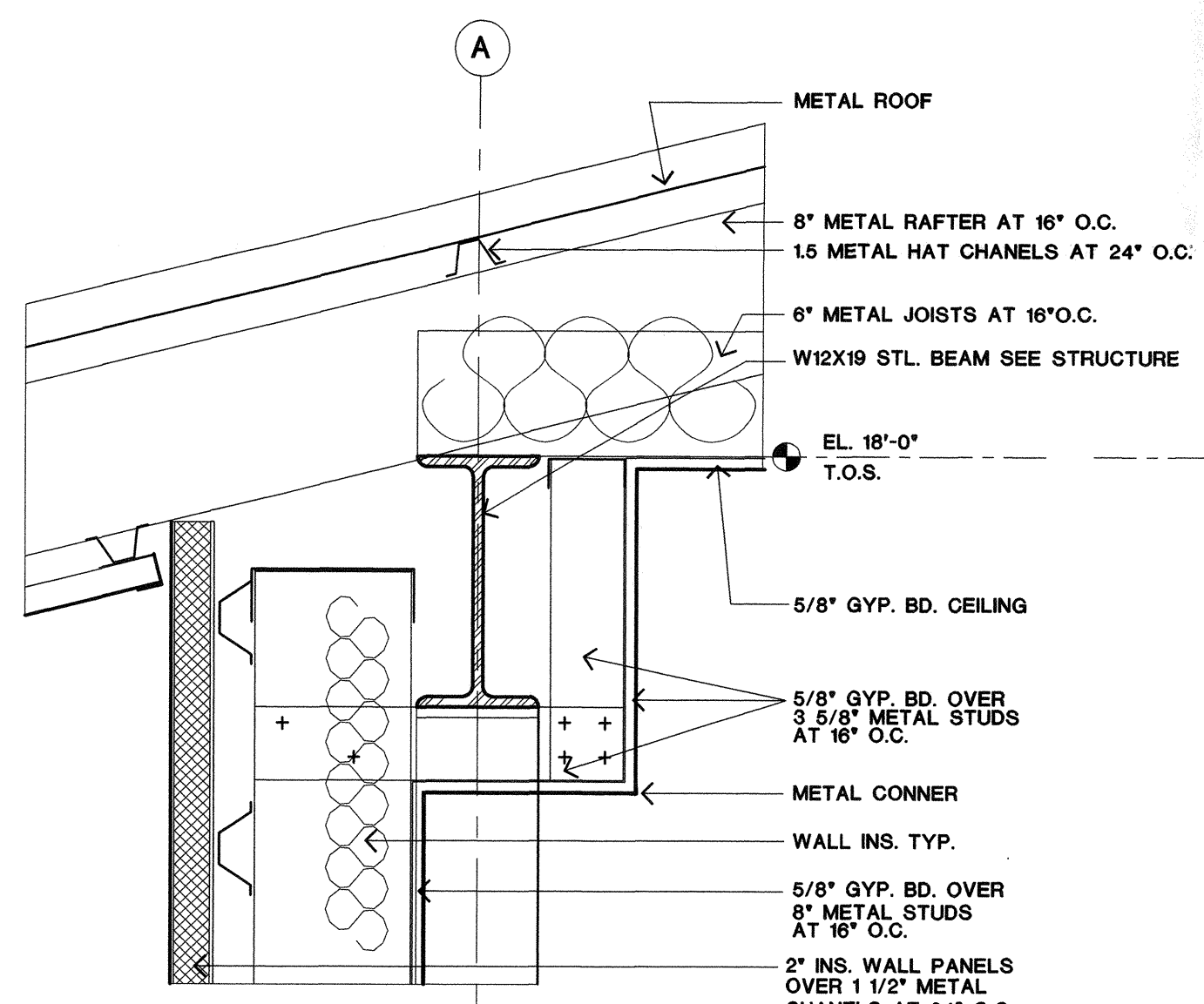
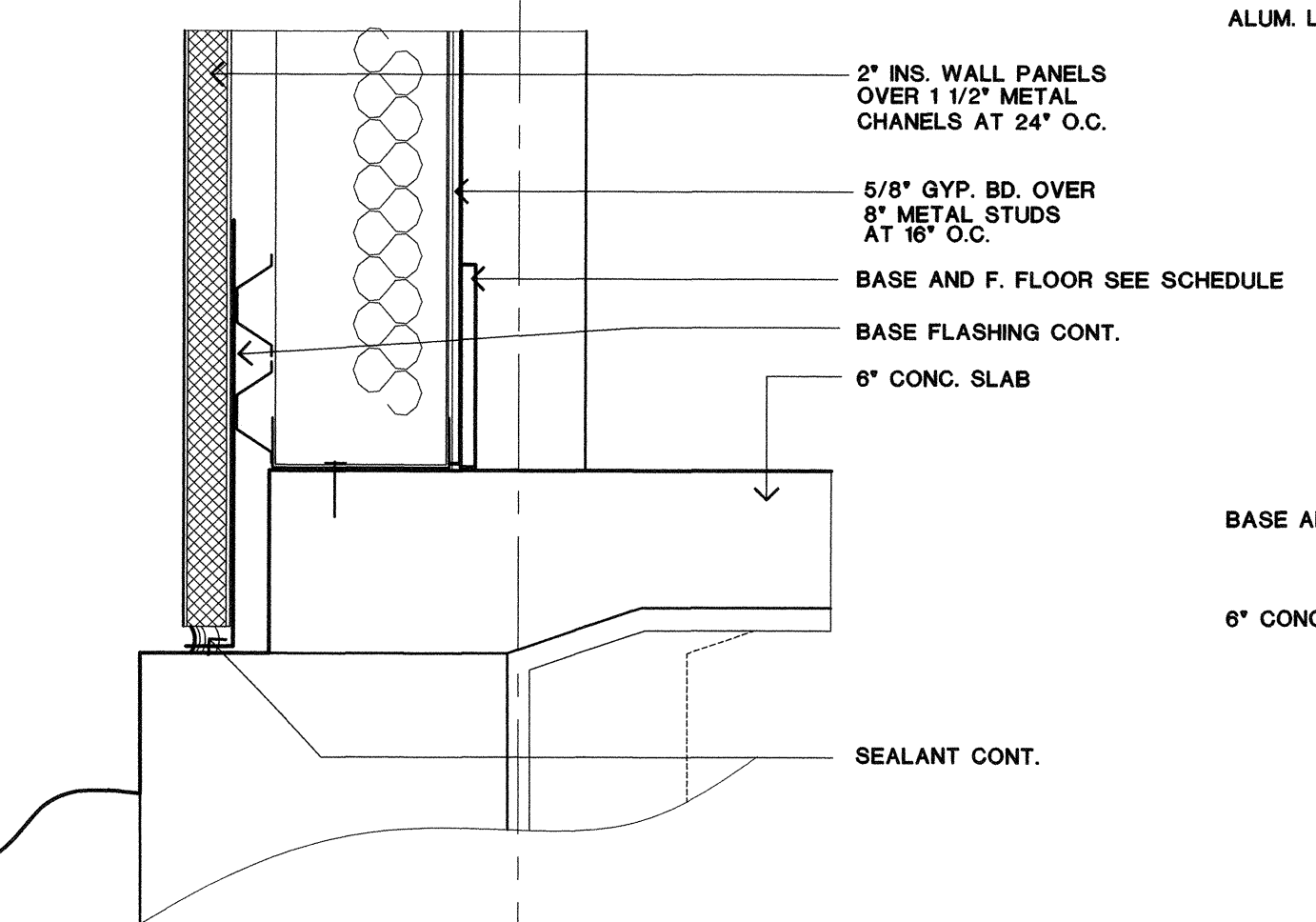


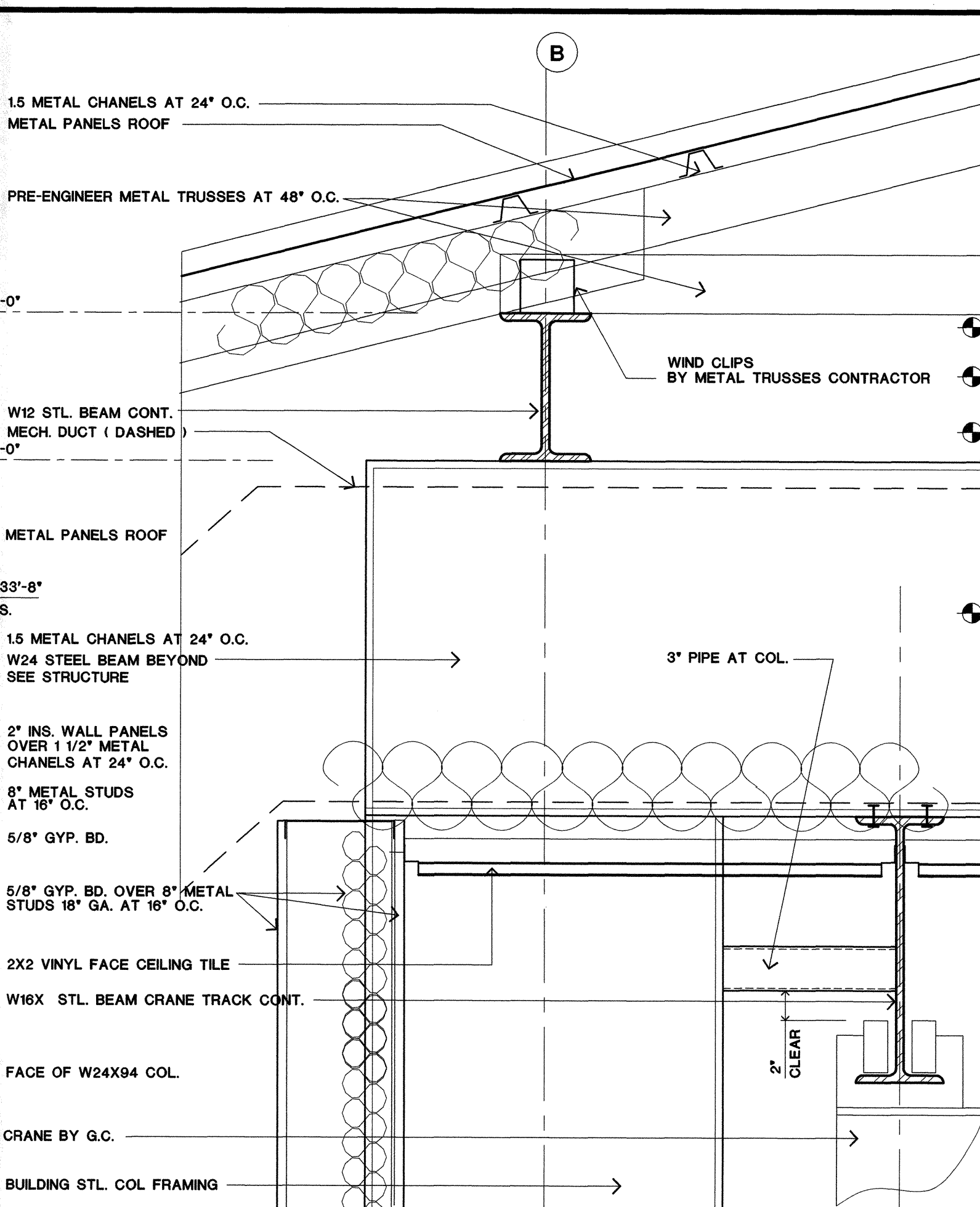
2 DETAIL
1 1/2" x 1'-0"



3 DETAIL
1 1/2" x 1'-0"

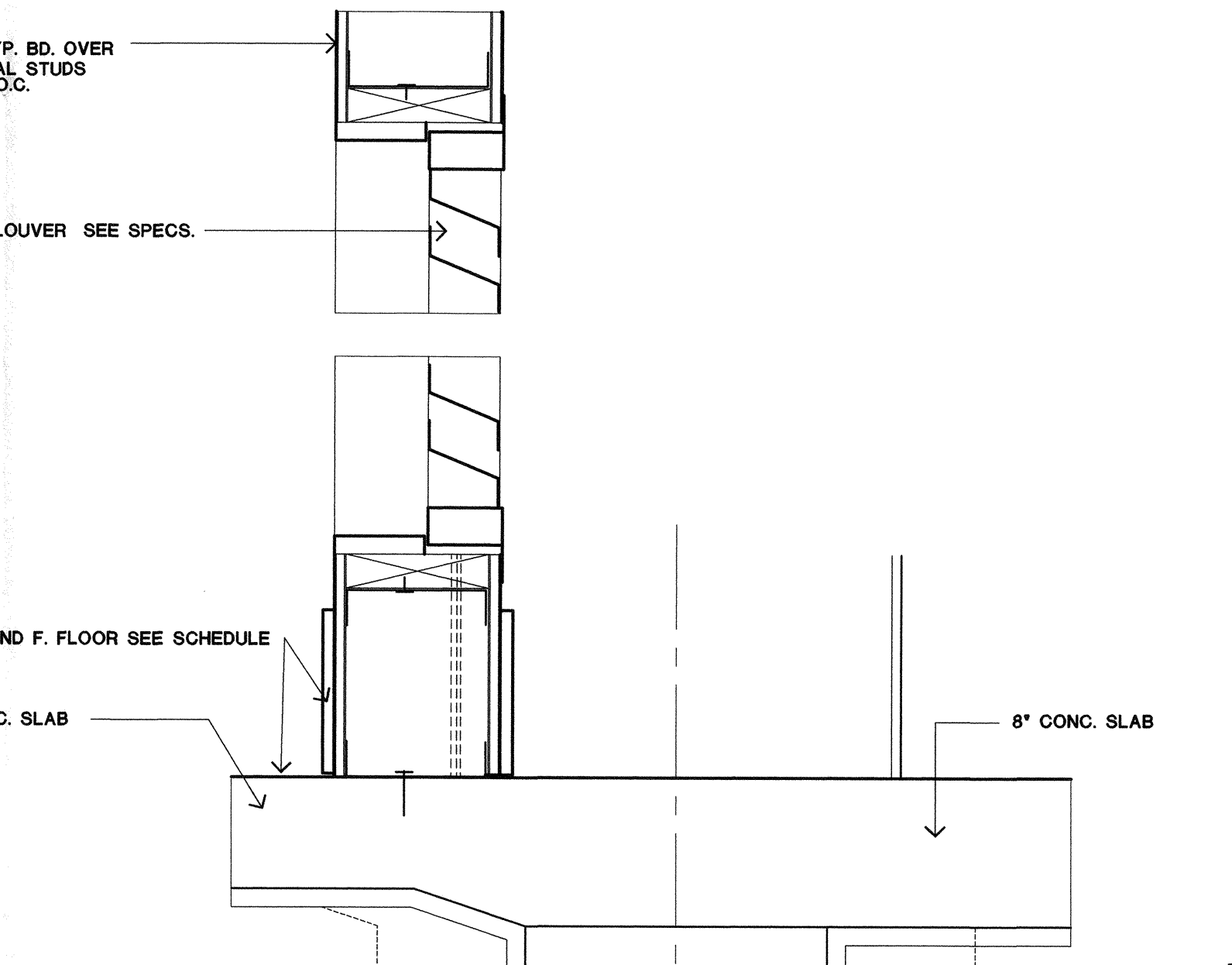


4 DETAIL
1 1/2" x 1'-0"

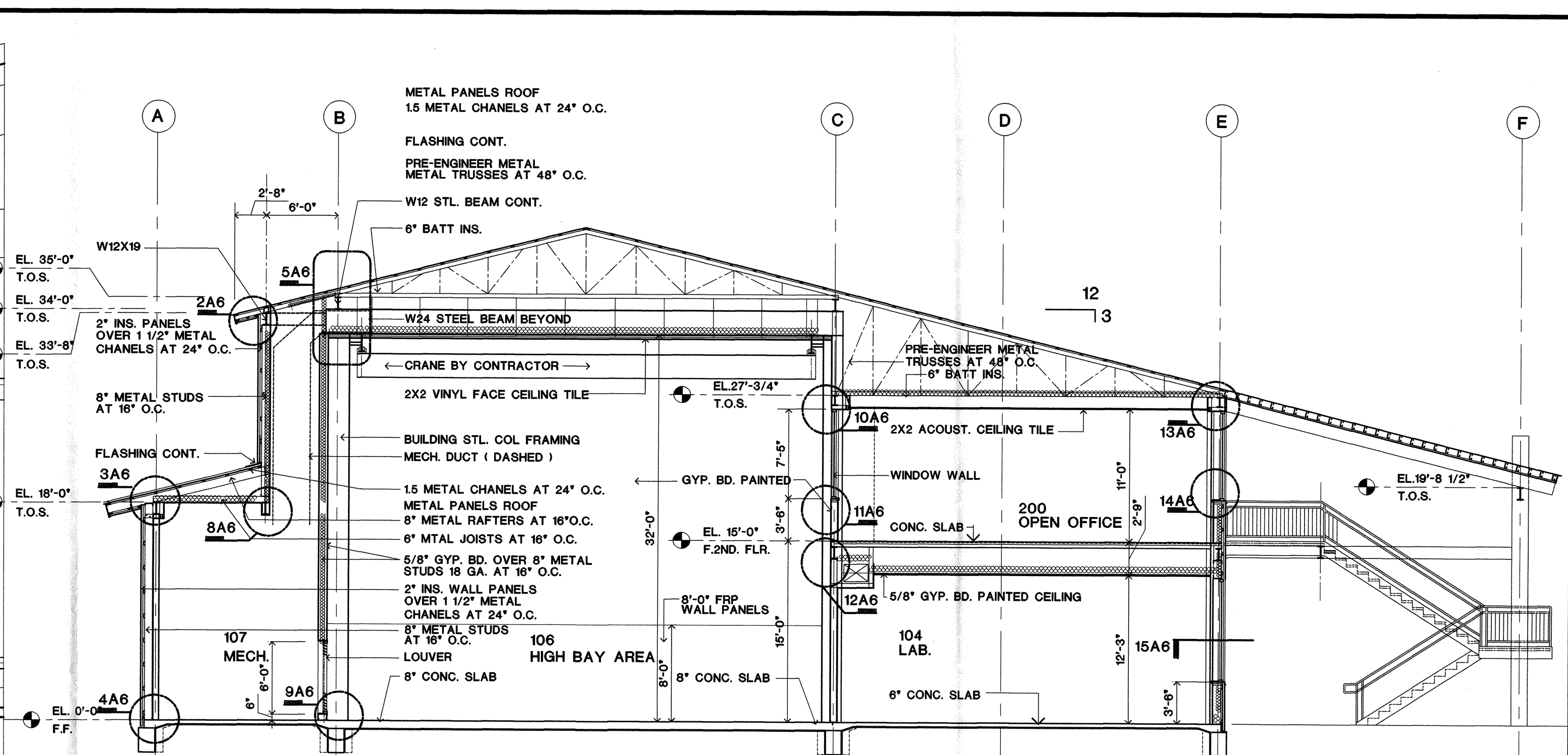


5 DETAIL
1 1/2" x 1'-0"

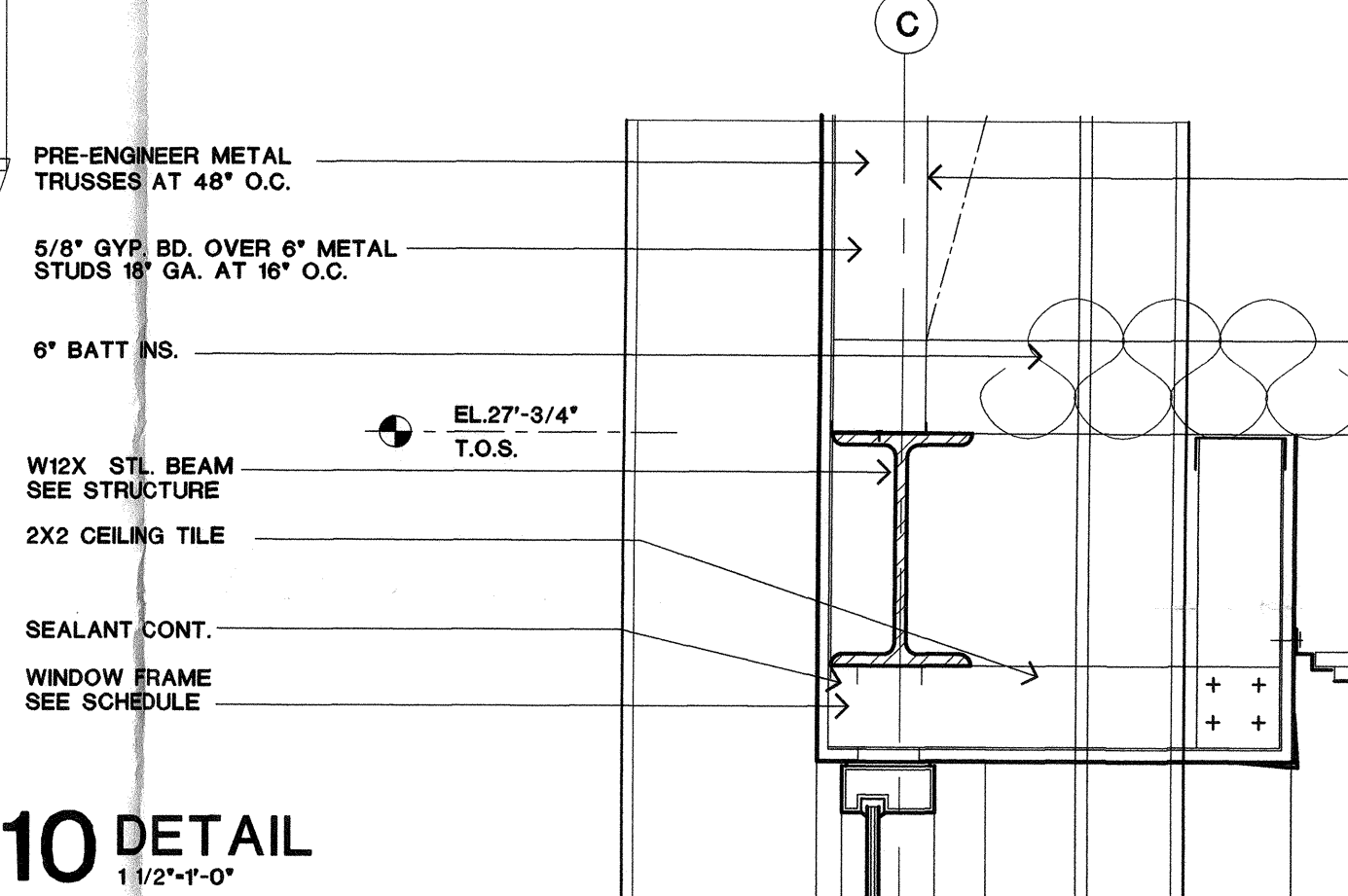
8 DETAIL
1 1/2" x 1'-0"



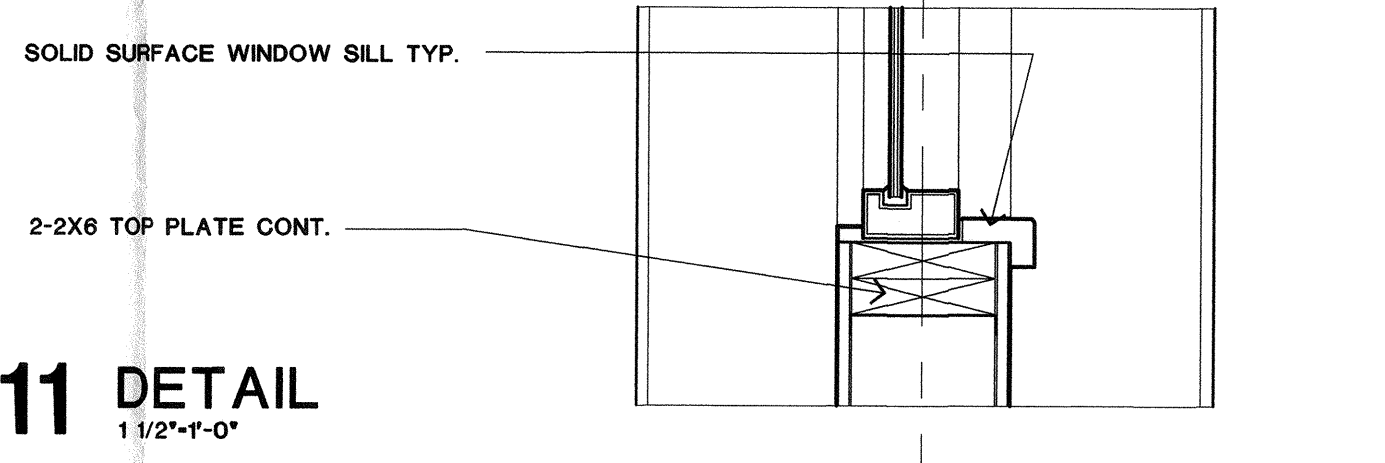
9 DETAIL
1 1/2" x 1'-0"



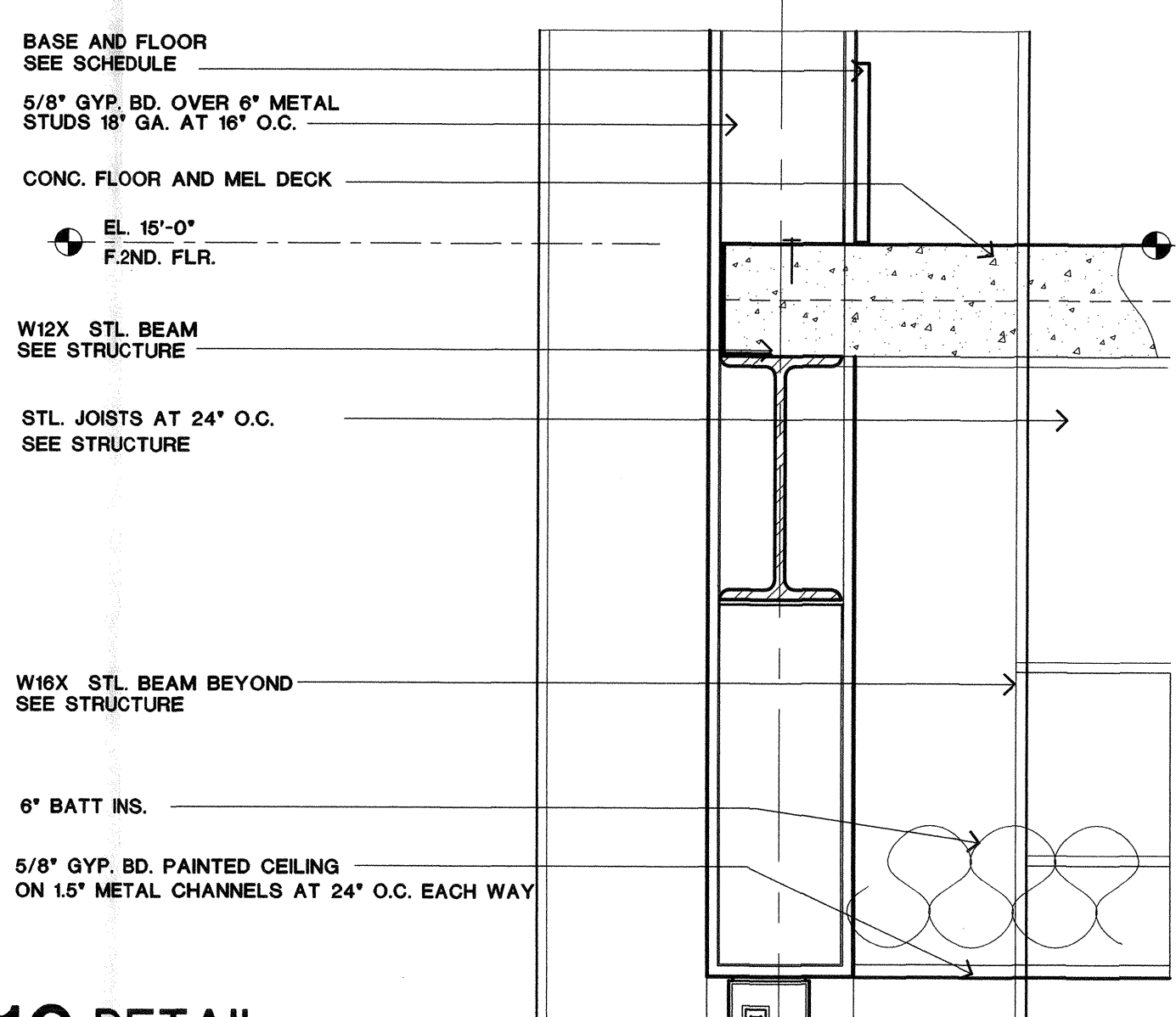
1 BUILDING SECTION
1/8" x 1'-0"



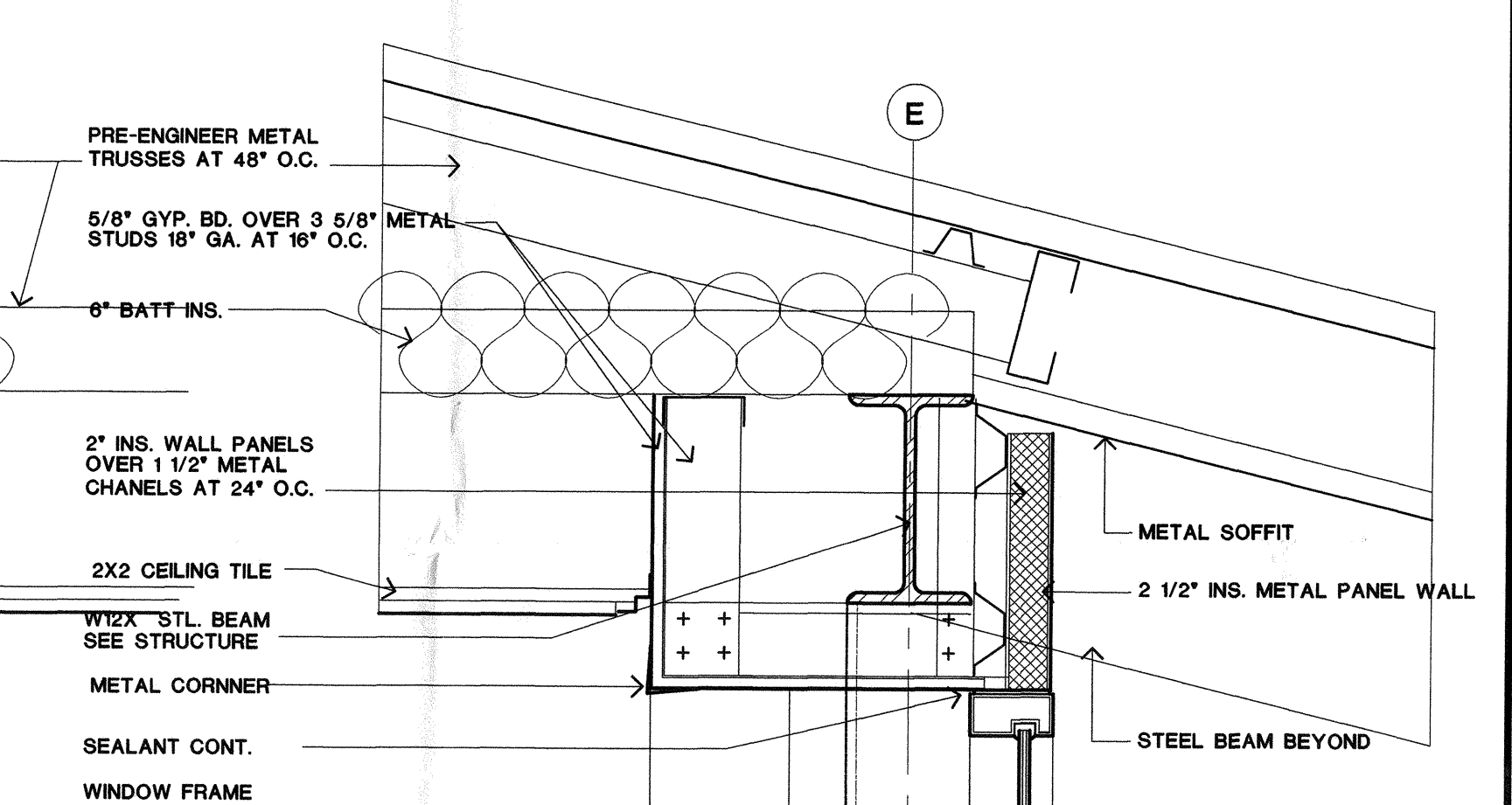
10 DETAIL
1 1/2" x 1'-0"



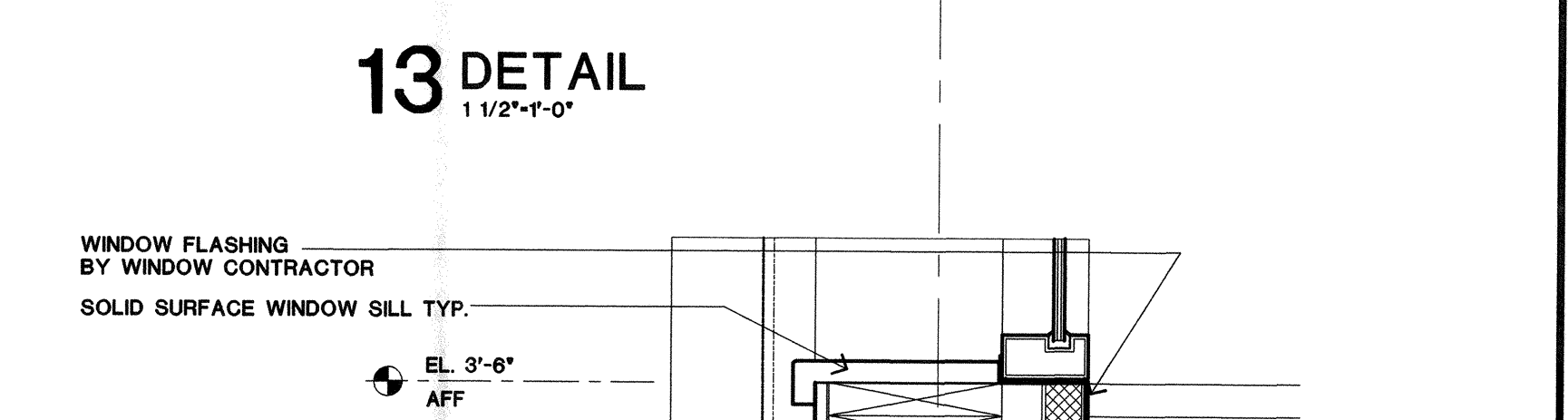
11 DETAIL
1 1/2" x 1'-0"



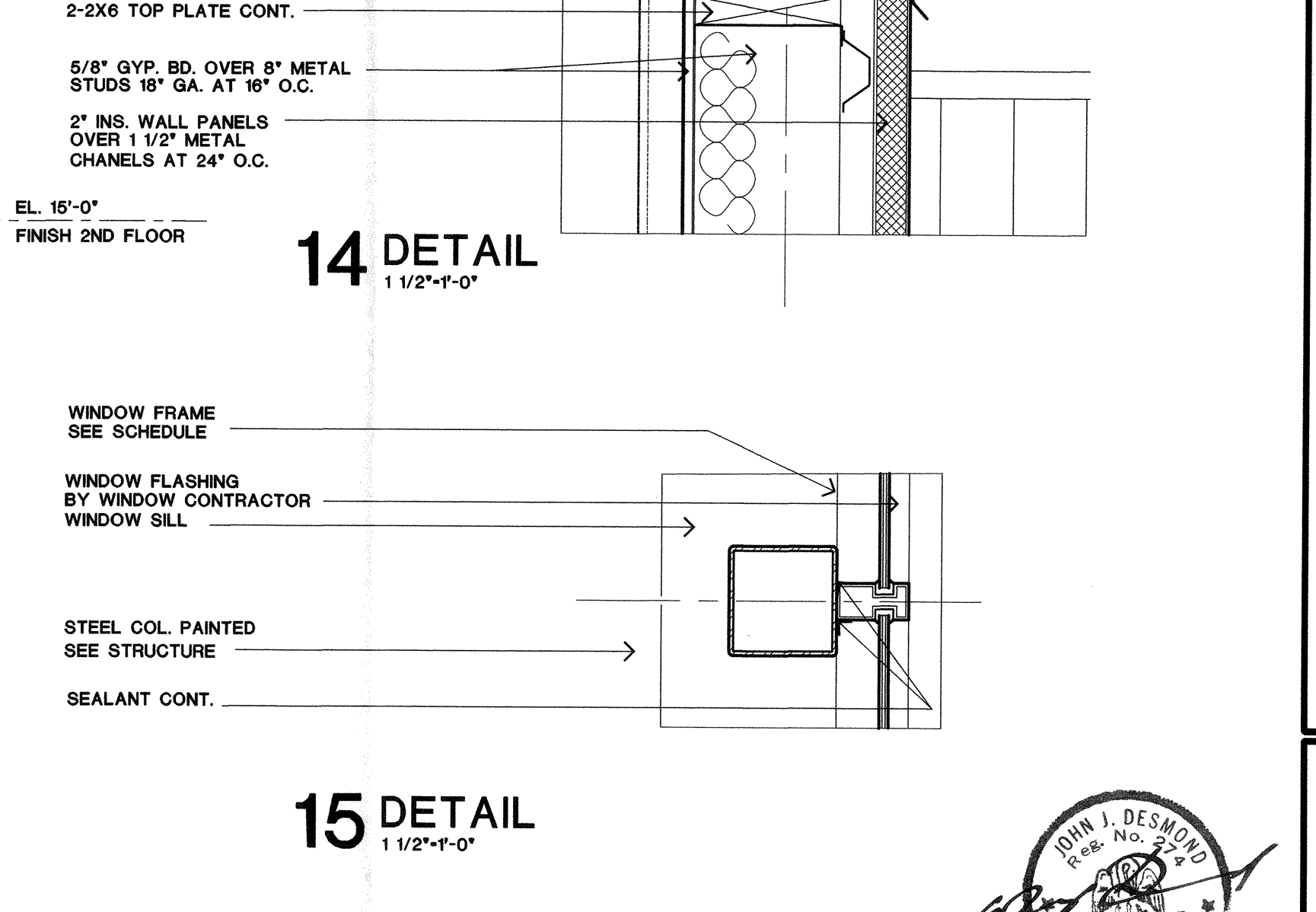
12 DETAIL
1 1/2" x 1'-0"



13 DETAIL
1 1/2" x 1'-0"



14 DETAIL
1 1/2" x 1'-0"



15 DETAIL
1 1/2" x 1'-0"



JOHN DESMOND & ASSOCIATES ARCHITECTS/PLANNERS
 703 LAUREL ST. BATON ROUGE, LA. 70802
 MEMBER AMERICAN INSTITUTE OF ARCHITECTS
L I G O
 LIVINGSTON, LOUISIANA
BUILDING SECTION - DETAILS LIGO-D000278-00-L
 NEW STAGING BUILDING FOR
DATE 9-8-2000 SHEET A6 OF