

AIR CONDITIONING UNIT SCHEDULE

NO.	SERVICE	FAN					COOLING			HEATING		MOTOR STARTERS		
		C.F.M. SUPPLY	C.F.M. O.A.	MAX. O.V.	EXT. S.P.	FAN HP.	TON	OUTPUT BTUH	GPM	HEATER KW	HEATER STAGES	TYPE	VOLTAGE	PHASE
1	AS SHOWN	15,500	2325	--	4"	35	50	600,000	120	N/A	N/A	MAG.	480	3
2	AS SHOWN	6000	900	--	1"	3	15	180,000	38	40	2	MAG.	480	3
3	AS SHOWN	2600	390		1"	2	6.5	78,000	16	32	3	MAG.	480	3

NOTES: EXTERNAL S.P. DOES NOT INCLUDE DROP THRU UNIT CASING OR COILS
HEATING CAPACITIES ARE SCHEDULED AT 17° F

FAN COIL UNIT SCHEDULE

NO.	C.F.M. SUPPLY	C.F.M. O.A.	FAN HP.	COOLING CAPACITY		HEATING CAPACITY			MOTOR			
				BTUH	G.P.M.	KW	STAGES	VOLTAGE	PHASE	VOLTAGE	PHASE	
1	1000	0	1 1/12 (2)	30,000	6	4	1	280	1	3 SPEED CONTROL	110	1

FAN SCHEDULE

NO.	C.F.M.	S.P.	WATTS	R.P.M.	TYPE	SIZES 9-0	DRIVE	REMARKS	MOTOR	
									VOLTAGE	PHASE
1-2	90	.125"	50	1050	CENT.	1,3	DIRECT	SWITCH WITH LIGHTS	110	1
3-6	125	.125"	105	1050	CENT.	2,3	DIRECT	SWITCH WITH LIGHTS	110	1

ELECTRIC REHEAT UNIT SCHEDULE

NO.	SERVICE	KW	STAGES	REMARKS	VOLTAGE	PHASE
1	NEW CLEAN CHAMBER ROOM NO. 109	12	2	HEATER IN DUCT THERMOSTAT ON WALL AS SHOWN	480	3
2	HOLDING ROOM NO. 110	20	2	HEATER IN DUCT THERMOSTAT ON WALL AS SHOWN	480	3
3	NEW RECEIVING ROOM NO. 108	18	2	HEATER IN DUCT THERMOSTAT ON WALL AS SHOWN	480	3
4	LABORATORY ROOM NO. 104	28	2	HEATER IN DUCT THERMOSTAT ON WALL AS SHOWN	480	3
5	HI BAY AREA ROOM NO. 106	75	4	HEATER IN DUCT THERMOSTAT ON WALL AS SHOWN	480	3

PUMP SCHEDULE

NO.	SERVICE	CAPACITY G.P.M.	H.P.	R.P.M.	FT. HEAD	TYPE	REMARKS	MOTOR STARTERS		
								TYPE	VOLTAGE	PHASE
1	AS SHOWN	265	5	1,750	50'	IN LINE	MECHANICAL SEAL	MAG.	460	3

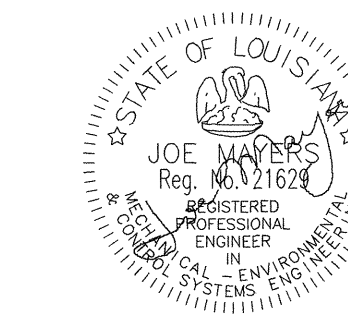
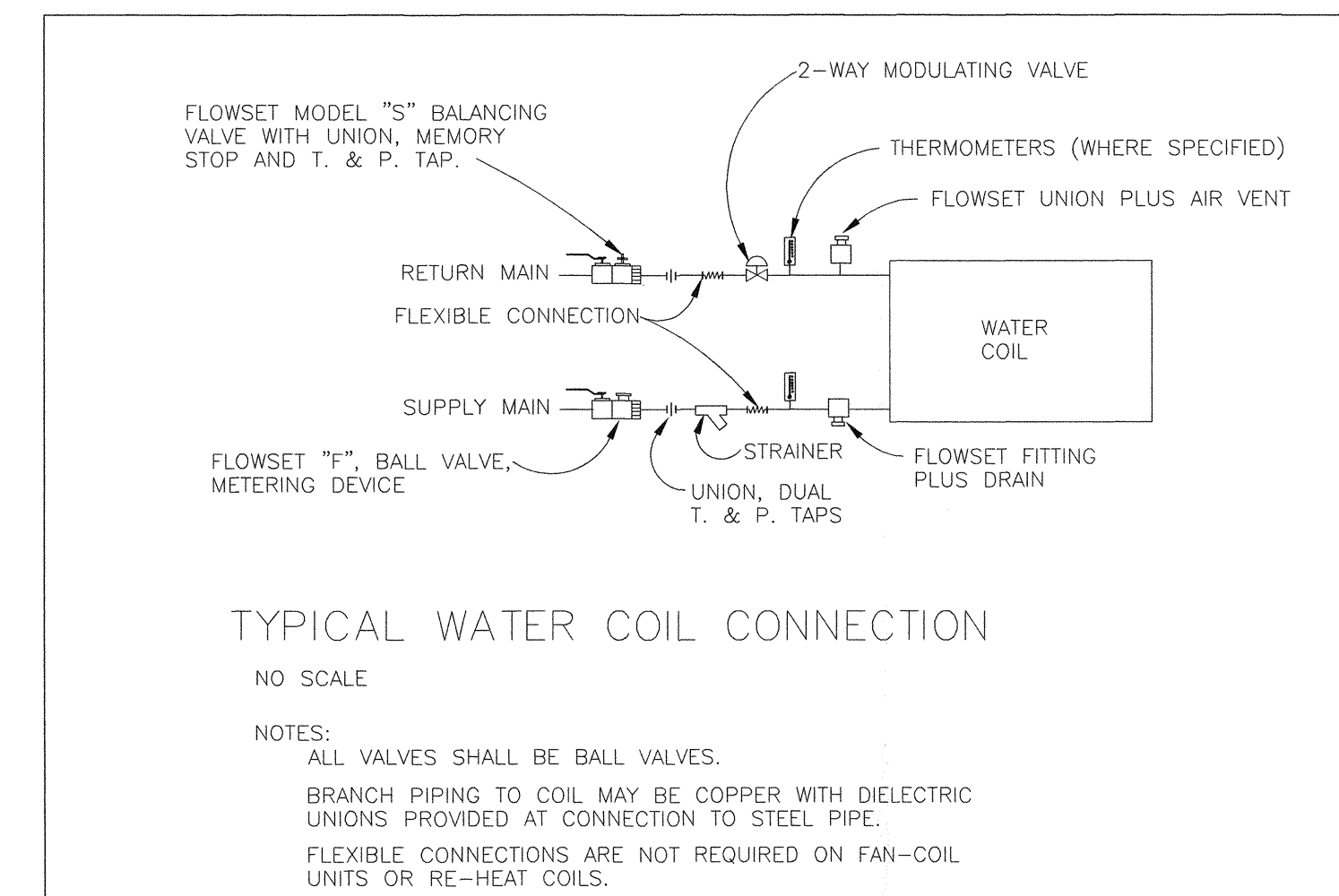
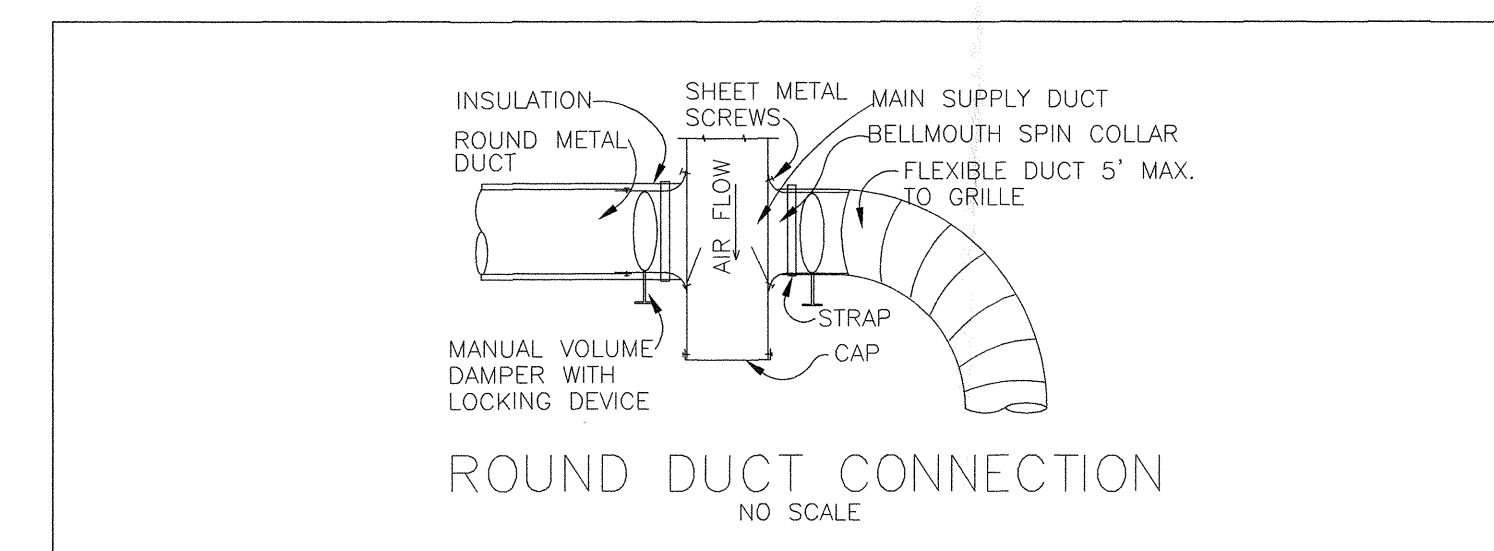
AIR CONDITIONING AND HEATING LEGEND

SYMBOL	DESCRIPTION	SYMBOL	DESCRIPTION
	SQUARE DUCT SIZE IN INCHES		CWS CHILLED WATER SUPPLY
	ROUND METAL DUCT		CWR CHILLED WATER RETURN
	FLEXIBLE DUCT		PRESSURE GAGE
	CEILING DIFFUSER		THERMOMETER
	SIDEWALL REGISTER		GATE VALVE
	SPLITTER DAMPER		CHECK VALVE
	DEFLECTING GRID		GLOBE VALVE
	VANED TURN		AUTOMATIC VALVE
	RETURN OR EXHAUST GRILLE		THREE WAY VALVE
	DUCT RISER		GAS COCK
	DUCT LOOKING DOWN		FLEXIBLE CONNECTION
	THERMOSTAT		UNION
	REHEAT THERMOSTAT		PRESSURE REDUCING VALVE
	HUMIDISTAT		STRAINER
	HIGH LIMIT THERMOSTAT		BACKFLOW PREVENTER
	O.A. OUTSIDE AIR		BALANCING VALVE WITH TAPS
	R.A. RETURN AIR		AIR VENT
	F.L.D. FUSIBLE LINE DAMPER		PIPING RISER
	M.V.D. MANUAL VOLUME DAMPER		PIPING DROP

CEILING DIFFUSER SCHEDULE

SYMBOL	GRILLE NECK SIZE (INCHES)	MINIMUM DUCT SIZE (INCHES)	C.F.M. RANGE
A	6" x 6", 6"ø	8" x 8", 6"ø	0-150
B	8" x 8", 8"ø	10" x 10", 8"ø	151-250
C	10" x 10", 10"ø	12" x 12", 10"ø	251-350
D	12" x 12", 12"ø	14" x 14", 12"ø	351-500
E	15" x 15", 16"ø	17" x 17", 16"ø	501-700

MANUFACTURERS NOT ABLE TO MEET THE ABOVE COMBINATIONS SHALL USE THE NEXT LARGER SIZE. ALL GRILLES TO BE (4) WAY TYPE EXCEPT AS INDICATED ON THE PLANS.



Mayers & Associates, Inc.
Consulting Engineers
Baton Rouge, Louisiana
504-278-9672 / FAX 504-274-8774

LIGO-D000296-00-L

SCHEDULES AND DETAILS

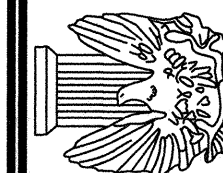
DATE 09.08.2000
SHEET

M-3

OF

NEW STAGING BUILDING FOR
LIGO
LIVINGSTON, LOUISIANA

JOHN DESMOND & ASSOCIATES ARCHITECTS/PLANNERS
703 LAUREL ST. BATON ROUGE, LA. 70802
MEMBER AMERICAN INSTITUTE OF ARCHITECTS



LIGO-D000296-00-L