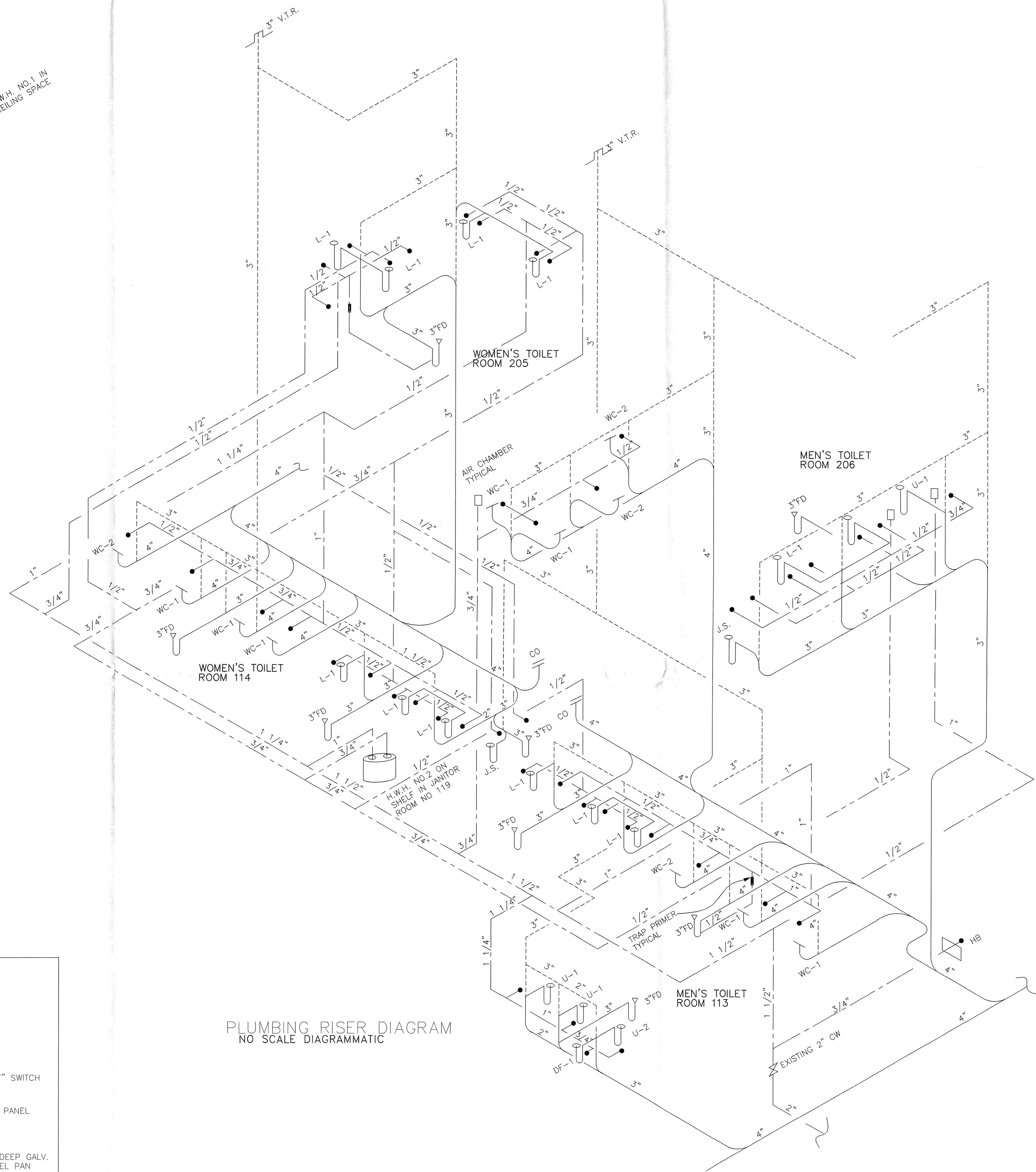
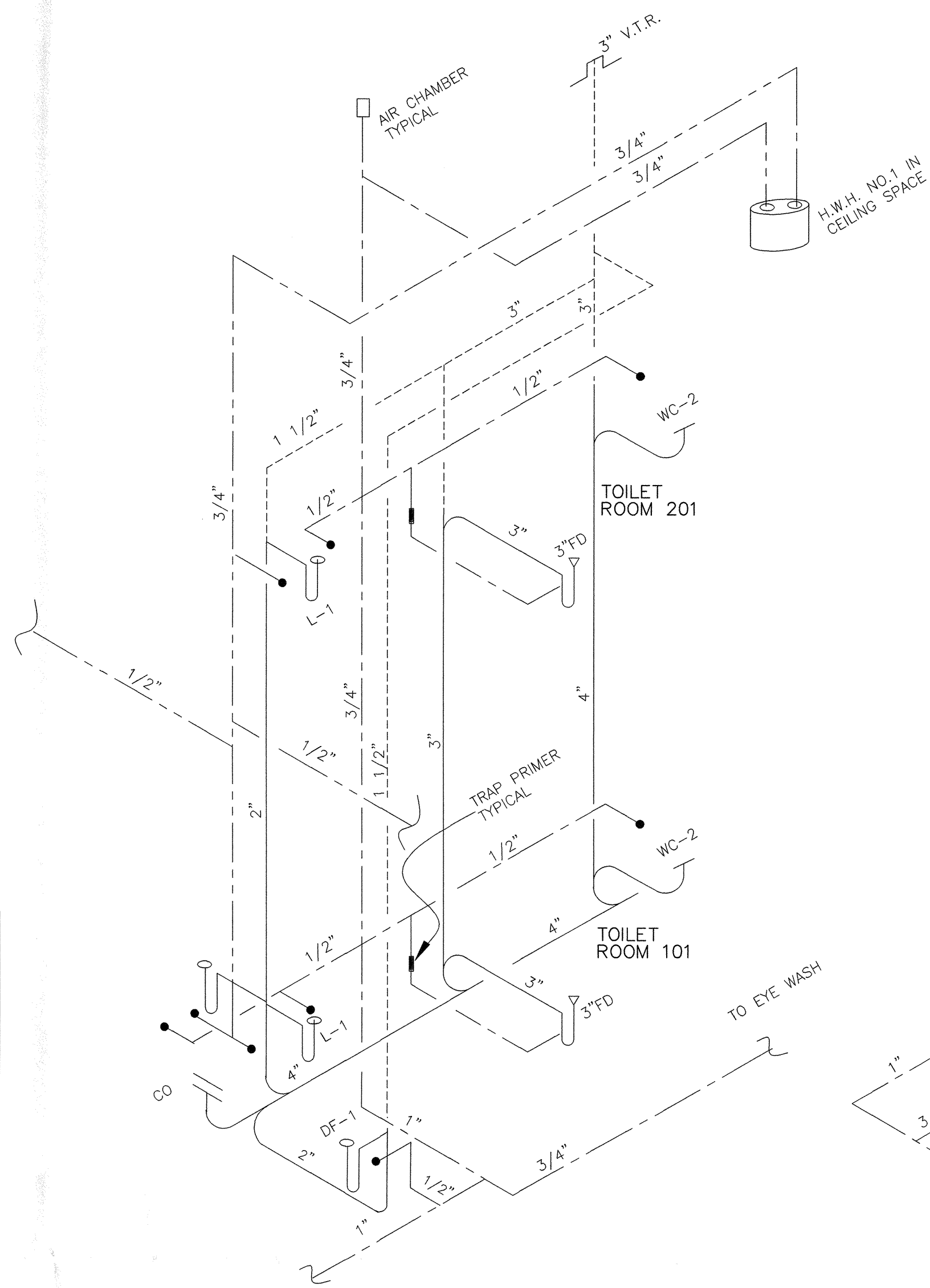
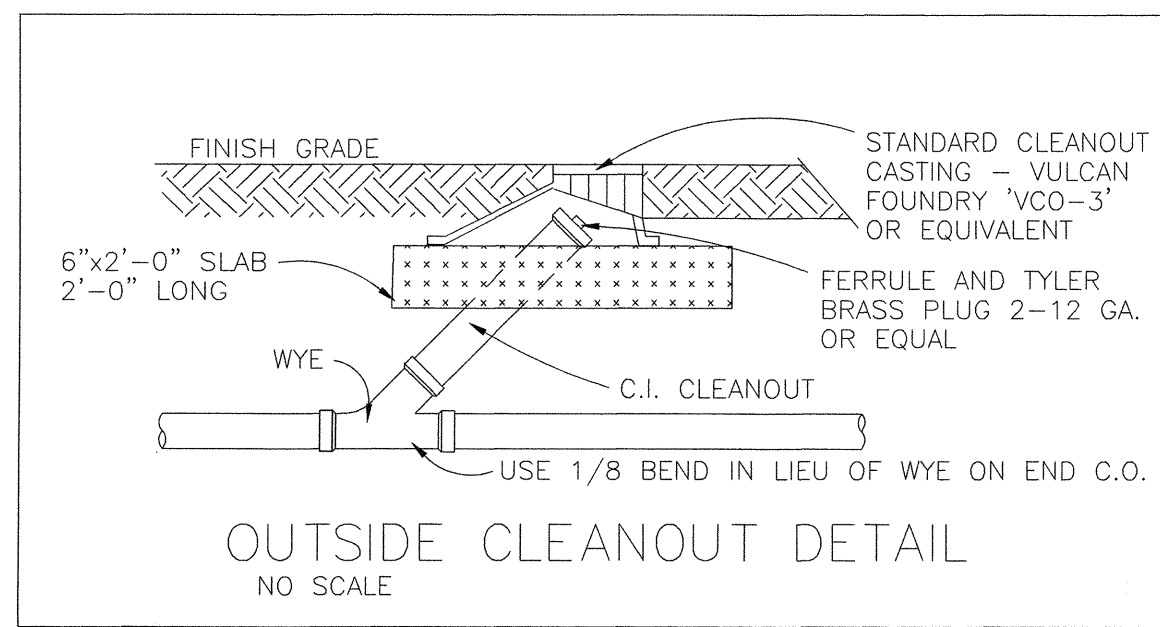
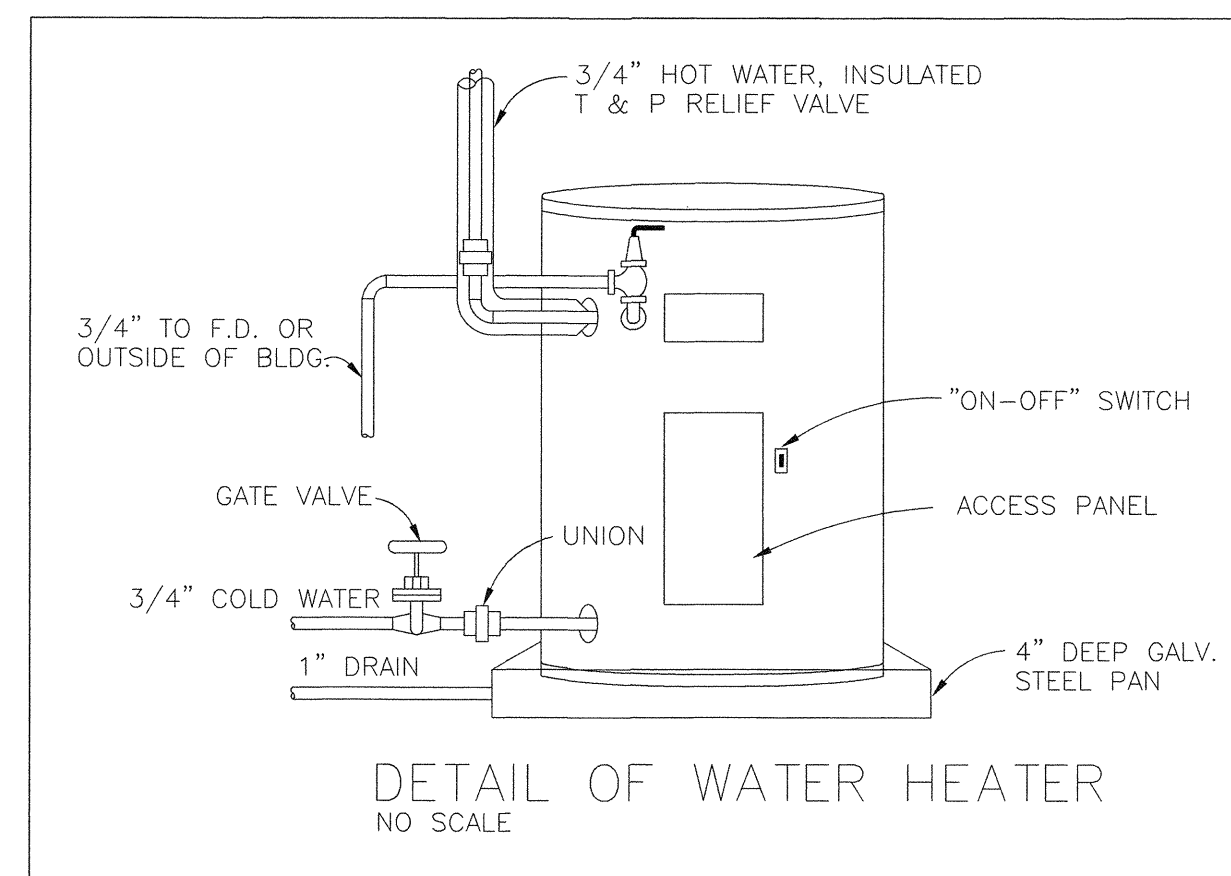


PLUMBING LEGEND	
SYMBOL	DESCRIPTION
	SANITARY DRAIN
	SANITARY VENT
	COLD WATER
	HOT WATER
	PIPING RISER
	PIPING DROP
	CLEANOUT
C.O.	CLEANOUT
F.D.	FLOOR DRAIN
H.B.	HOSE BIBB
W.H.	WATER HEATER
N.F.H.	NON-FREEZE HYDRANT
V.T.R.	VENT THRU ROOF
W. & V.	WASTE AND VENT



WATER HEATER SCHEDULE							
NO.	ROOM NAME OR NUMBER	GALLONS STORAGE	VOLTS	PHASE	NO. ELEMENTS	K.W. PER ELEMENT	REMARKS
1	IN CEILING SPACE	20	110	1	1	2.5	POINT OF USE TYPE
2	ON SHELF ROOM 119	20	110	1	1	2.5	POINT OF USE TYPE
3	UNDER COUNTER	6	110	1	1	2.5	POINT OF USE TYPE

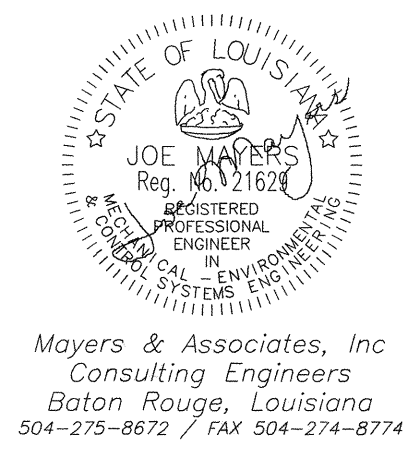
PLUMBING FIXTURE SCHEDULE						
MARK	DESCRIPTION	C.W.	H.W.	DRAIN	VENT	MOUNTING HEIGHT OR REMARKS
L-1	LAVATORY (WALL HUNG)	1/2"	1/2"	2"	1-1/2"	34"
SK-1	SINK	1/2"	1/2"	2"	1-1/2"	34"
J.S.	JANITOR SINK	1/2"	1/2"	2"	2"	---
U-1	URINAL	3/4"	---	2"	1-1/2"	24"
U-2	URINAL (HANDICAPPED)	3/4"	---	2"	1-1/2"	17"
WC-1	WATER CLOSET	1/2"	---	4"	3"	---
WC-2	WATER CLOSET (HANDICAPPED)	1/2"	---	4"	3"	18" HIGH
DF-1	DRINKING FOUNTAIN	1/2"	---	2"	1-1/2"	42"
EW	EYE WASH	3/4"	---	---	---	---



PLUMBING RISER DIAGRAM AND DETAILS LIGO-D000299-00-L

NEW STAGING BUILDING FOR LIGO LIVINGSTON, LOUISIANA

JOHN DESMOND & ASSOCIATES ARCHITECTS/PLANNERS
703 LAUREL ST. BATON ROUGE, LA. 70802
MEMBER AMERICAN INSTITUTE OF ARCHITECTS



Mayers & Associates, Inc.
Consulting Engineers
Baton Rouge, Louisiana
504-275-8972 / FAX 504-274-8774

DATE 09.08.2000 SHEET

P-3 OF

LIGO-D000299-00-L