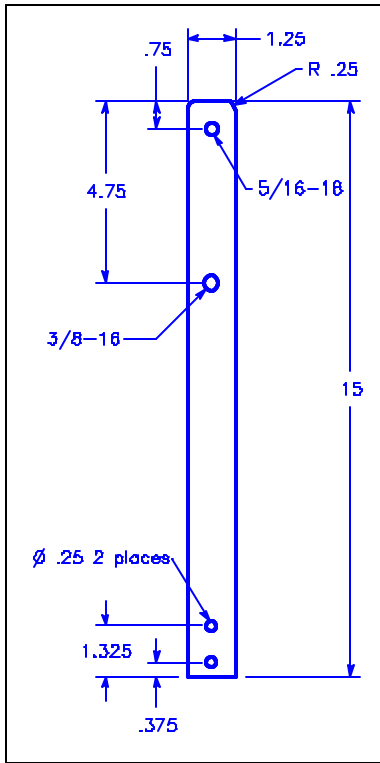
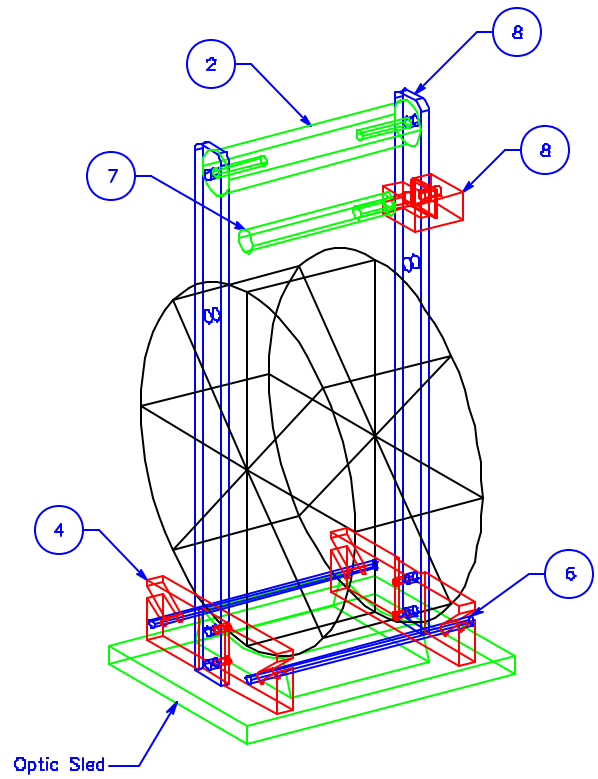
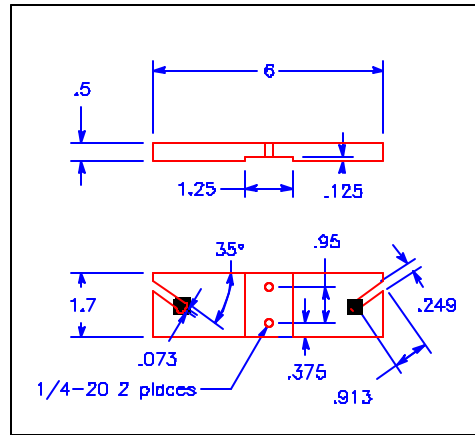


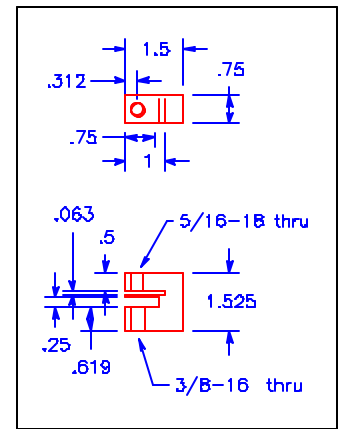
- 1) 1ea. Handle: 1.250" dia., 6" Long with 5/16-18 each end, 1" deep
- 2) 2ea. Strap: 1.25" x .25" Aluminum, 15" Long
- 3) 2ea. Frame: 6" x .7" x .5" Aluminum plate
- 4) 1ea. Lock Block: .75" x 1.5" x 1.525" Aluminum
- 5) 1ea. Lock Pin: .625" dia. x 4.5" long, 3/8-16 tap, .75" deep
- 6) 2ea. Support Rod: .230" dia. x 7" long SS
- 7) 4ea. 1/4-20 x .5, SS Cap Screw
- 8) 2ea. 5-16-18 x 1, SS Cap Screw
- 9) 1ea. 3/8-16 x 1, SS Stud
- 10) 1ea. 5/16-18 x 1", Lock Knob



Strap



Frame



Lock Block

Material	Aluminum	Part Name	Caddy for handling and baking large optics
Finish	Bare	Part Number	D000329-00-L
		Assembly	
		Date	3/1/2000