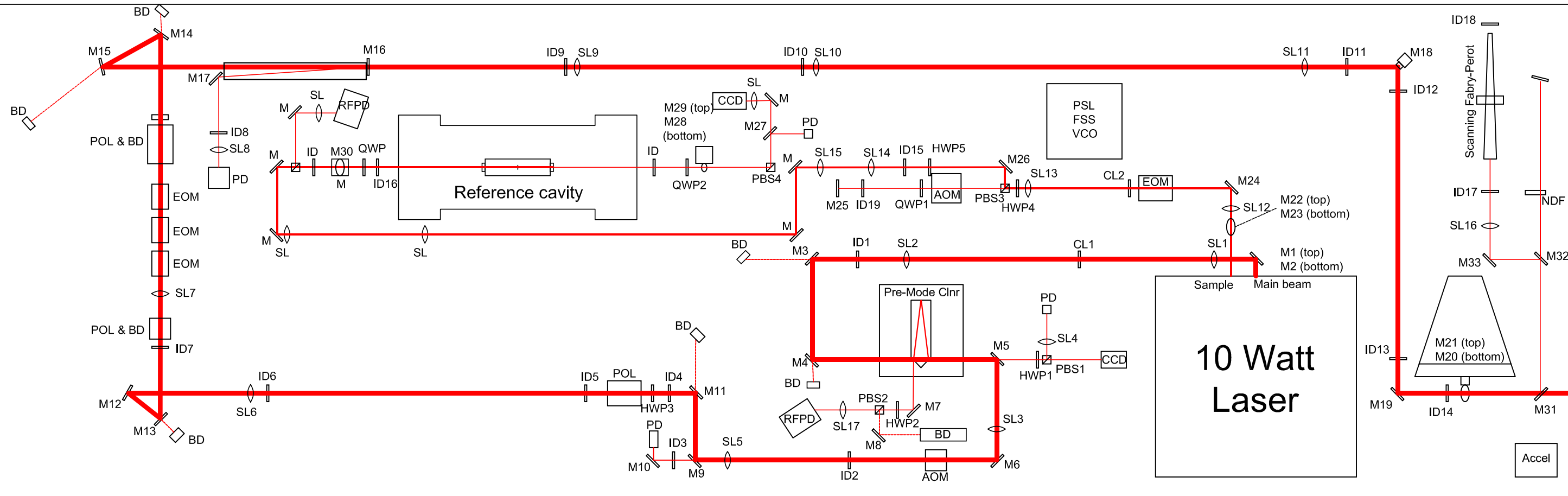
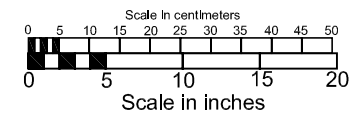


Washington Existing 2K PSL Table Layout



- AOM: Acoustic optical modulator
- BD: Beam dump
- CL: Circular lens
- EOM: Electro-Optic modulator
- HWP: Half wave plate
- ID: Iris diaphragm
- M: Mirror
- NDF: Neutral density filter wheel
- PBS: Polarizing beam splitter
- PD: Photodetector
- POL: Polarizer
- QWP: Quarter wave plate
- SL: Spherical lens



Drawn by: T. Mahood
 Version Date: January 4, 2001
 Filename: PSL2k.dwg
 D000337-00-W