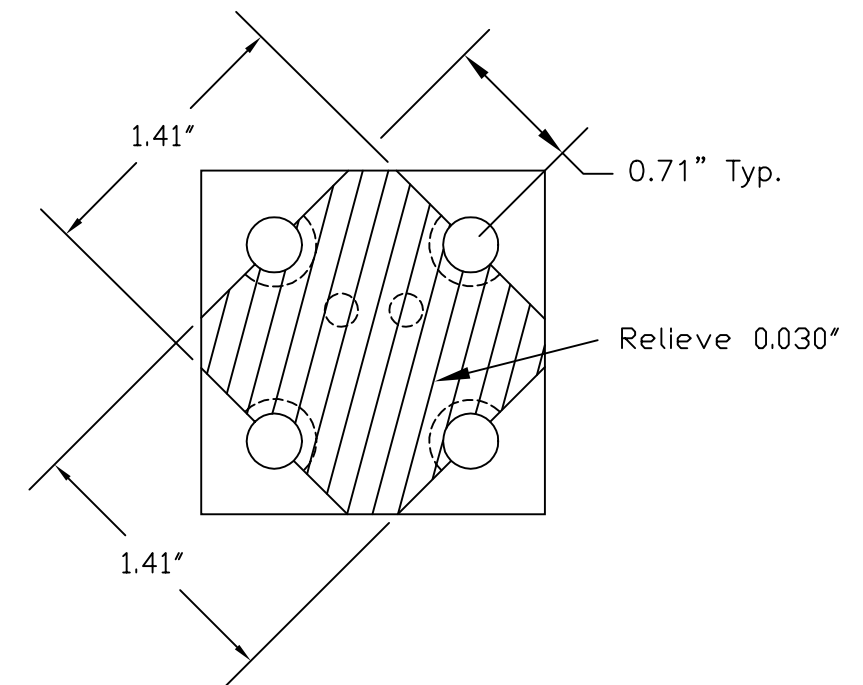
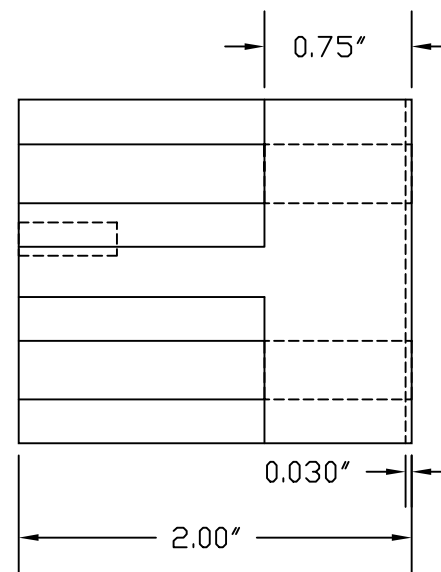
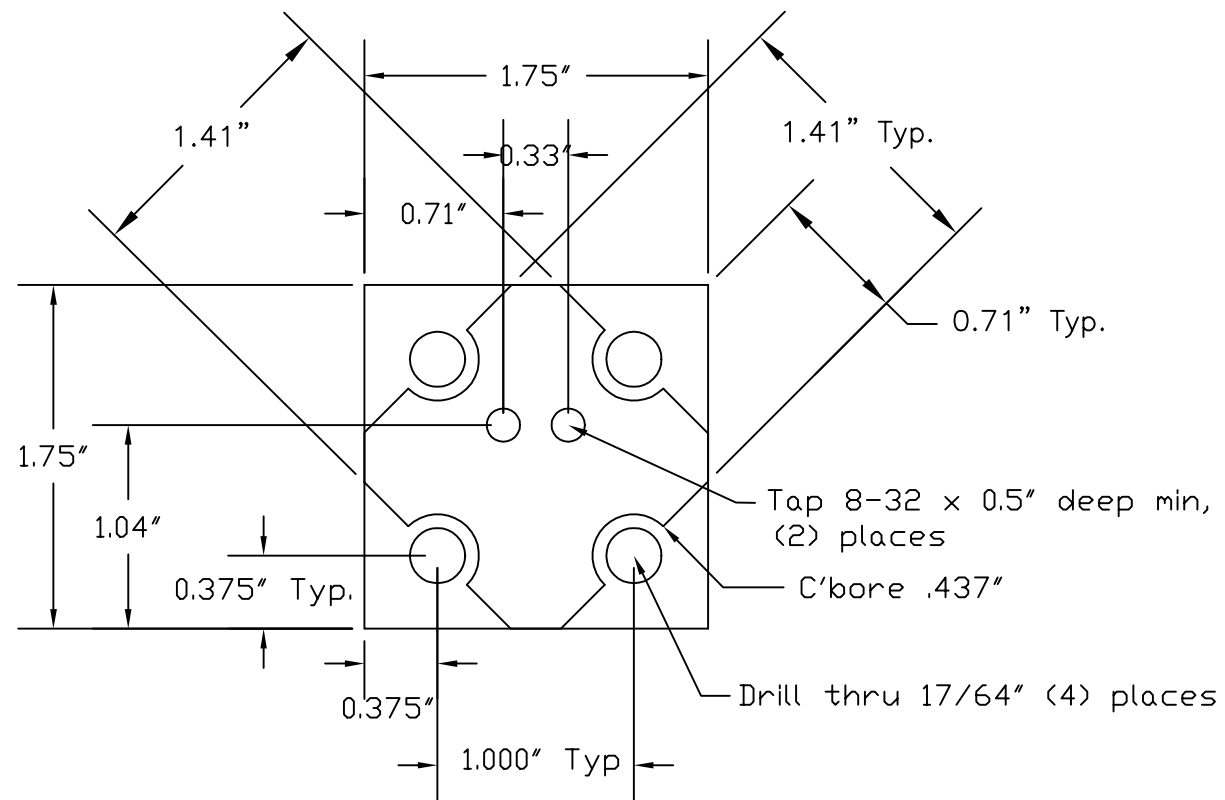


| REVISIONS | | | |
|-----------|-------------|------|----------|
| REV. | DESCRIPTION | DATE | APPROVED |
| | | | |



Provides a 3.0" high beam height when used with a Newport U100 mirror mount

NOTES:

- BREAK ALL SHARP EDGES
- 1.75" DIM. NOT CRITICAL, 1-3/4" STOCK OK.

| QTY REQD | FSCM NO. | PART OR IDENTIFYING NO. | NOMENCLATURE OR DESCRIPTION | MATERIAL SPECIFICATION | |
|---|----------|-------------------------|-----------------------------|---|--------------|
| PARTS LIST | | | | | |
| UNLESS OTHERWISE SPECIFIED DIMENSIONS ARE IN INCHES TOLERANCES ARE: FRACTIONS DECIMALS ANGLES ± .XX±.01 ± .XXX±.005 .XXXX±.0005 | | CONTRACT NO. | | LIGO Project <i>California Institute of Technology</i> <i>Massachusetts Institute of Technology</i> PSL Pre-stabilized Laser U100A MIRROR MOUNTING BLOCK | |
| MATERIAL | | APPROVALS | DATE | | |
| 6061-T6 | | T. Mahood | 11/01/00 | | |
| FINISH | | CHECKED | ISSUED | | |
| NEXT ASSY | USED ON | SIZE | FSCM NO. | DWG. NO. | REV. |
| | | B | | D000352-00-W | |
| APPLICATION | | DO NOT SCALE DRAWING | mirrorblocku100.dwg | SCALE | SHEET 1 of 1 |