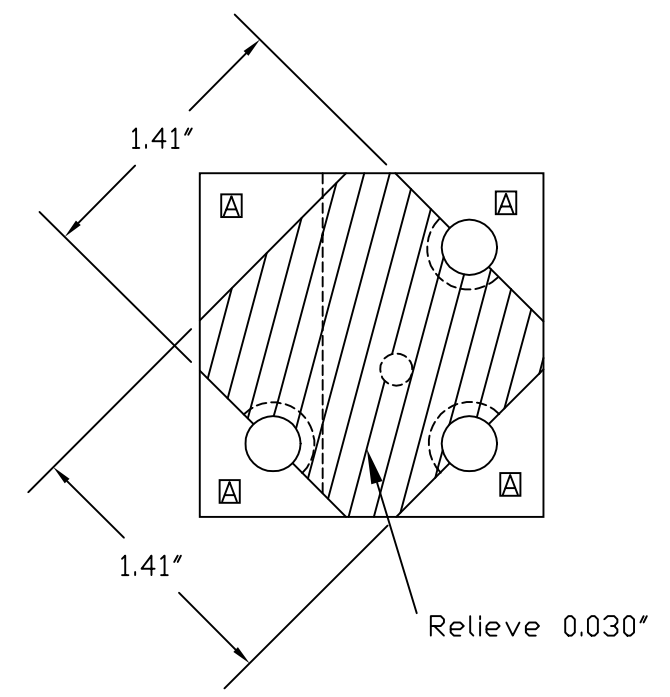
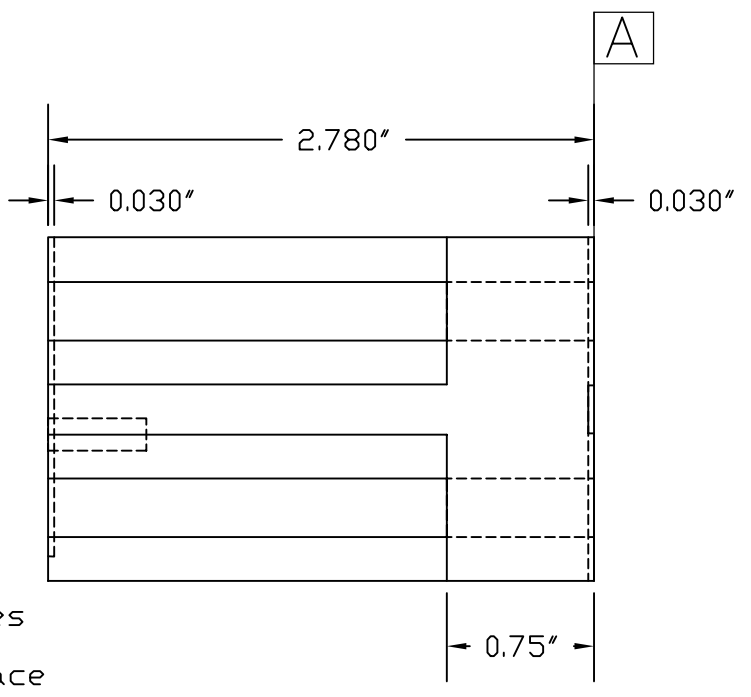
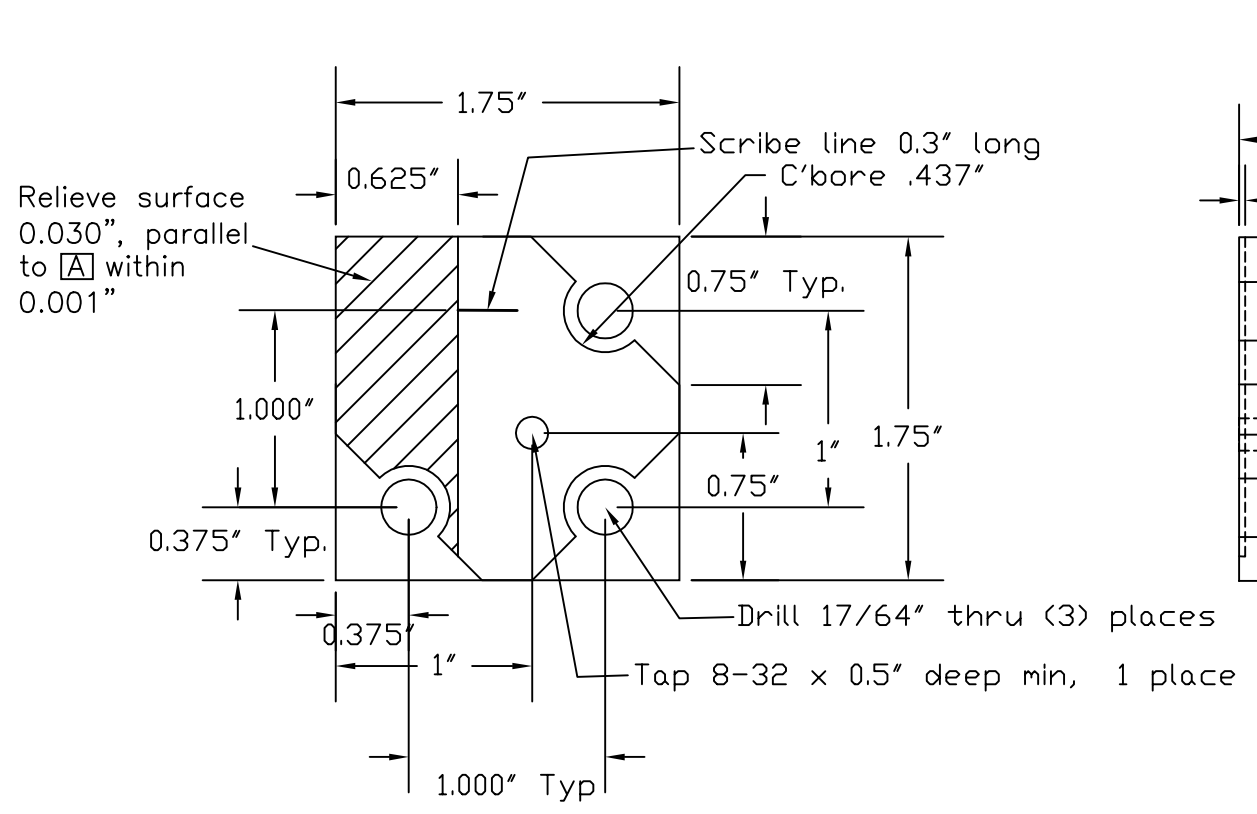
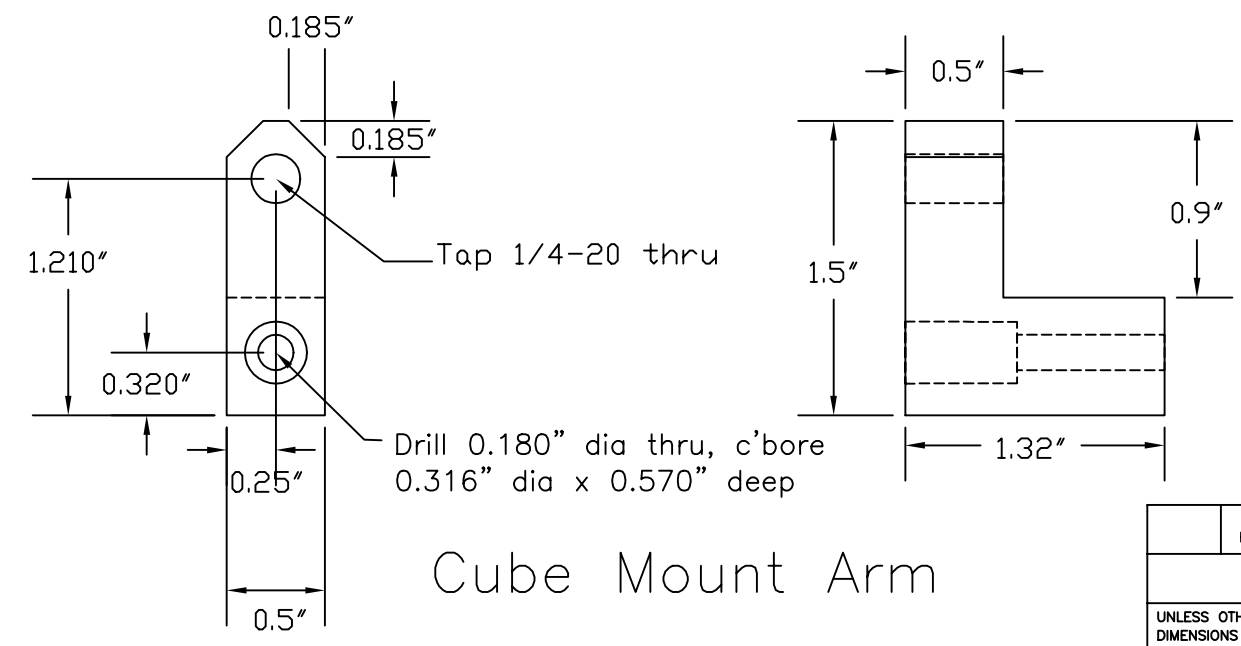


REVISIONS			
REV.	DESCRIPTION	DATE	APPROVED



Cube Mount Base



Cube Mount Arm

Provides a 3.0" high beam height when used with a 0.5" PBS cube.

- NOTES:
- BREAK ALL SHARP EDGES
 - 1.75" DIM. NOT CRITICAL, 1-3/4" STOCK OK.

NEXT ASSY	USED ON
APPLICATION	DO NOT SCALE DRAWING

QTY REQD	FSCM NO.	PART OR IDENTIFYING NO.	NOMENCLATURE OR DESCRIPTION	MATERIAL SPECIFICATION
PARTS LIST				
UNLESS OTHERWISE SPECIFIED DIMENSIONS ARE IN INCHES TOLERANCES ARE: FRACTIONS .XX±.01 DECIMALS .XXX±.005 ANGLES ±.0005		CONTRACT NO.	LIGO Project <i>California Institute of Technology</i> <i>Massachusetts Institute of Technology</i> PSL Pre-stabilized Laser	
MATERIAL 6061-T6		APPROVALS DRAWN T. Mahood	DATE 11/01/00	PBS CUBE MOUNTING BLOCK
FINISH		CHECKED	ISSUED	
				SIZE B
				FSCM NO.
				DWG. NO. D000353-00-W
				REV.
				SCALE
				SHEET 1 of 1