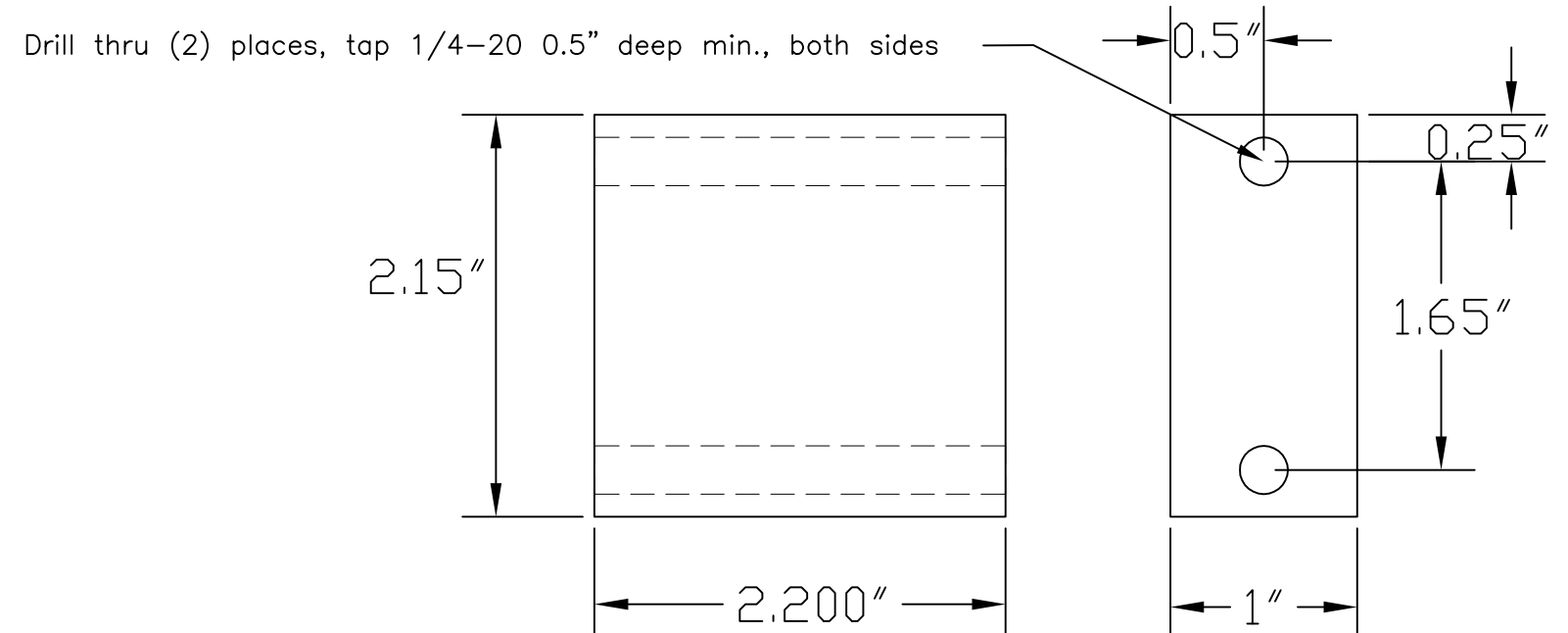
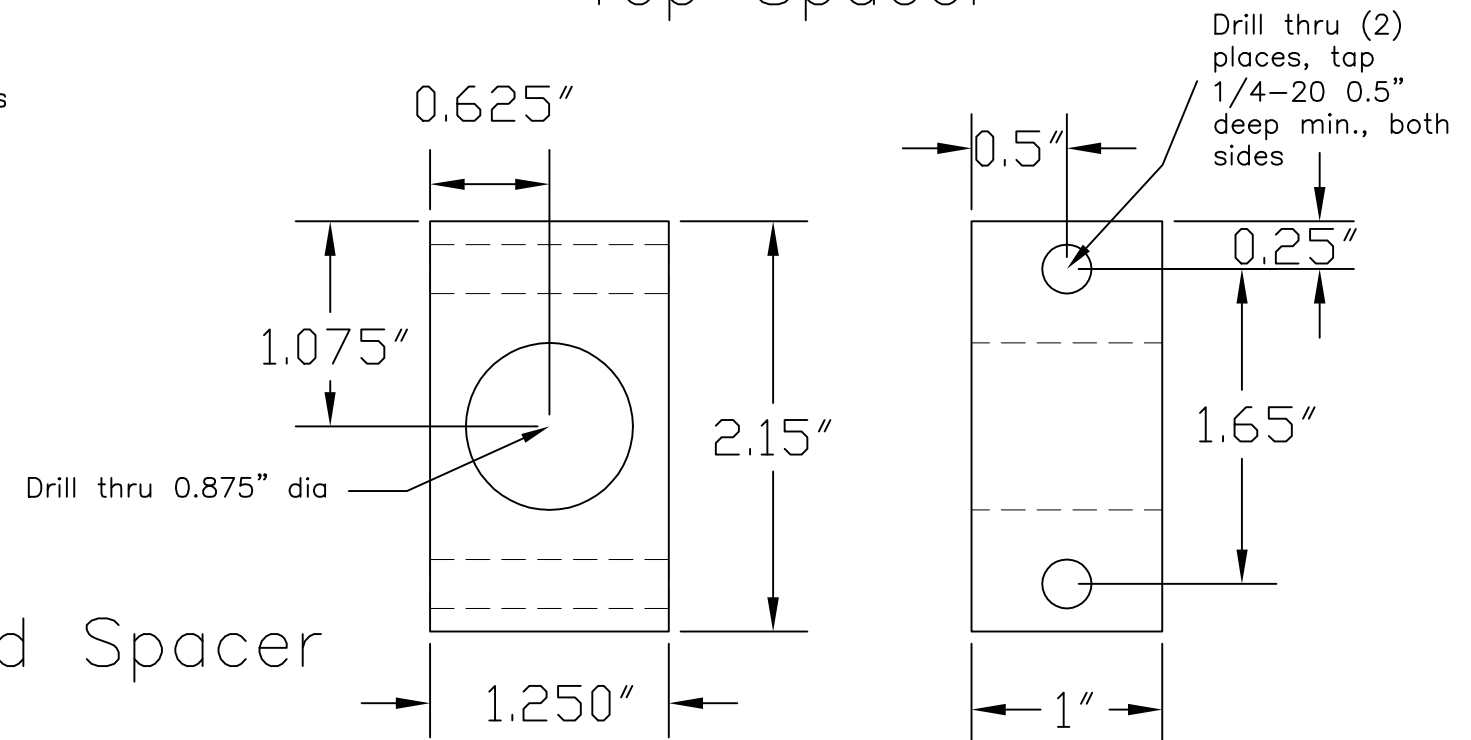


Bottom Plate



Top Spacer

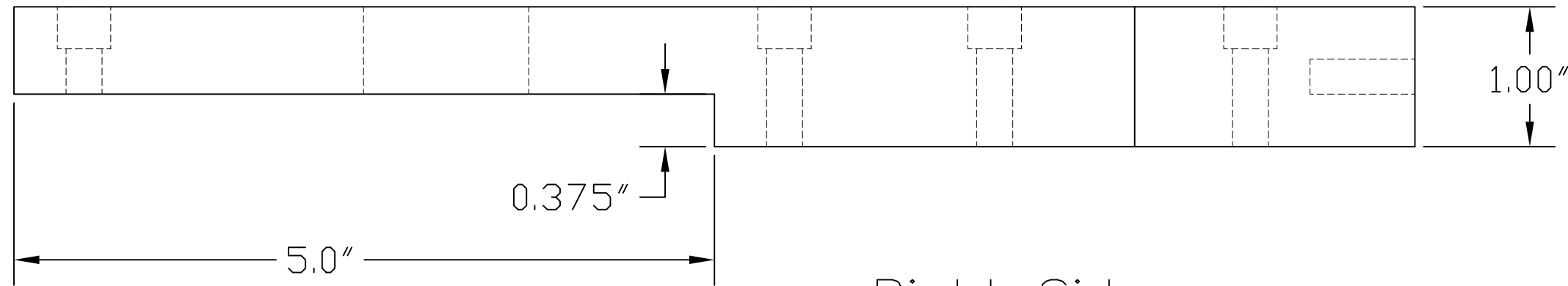
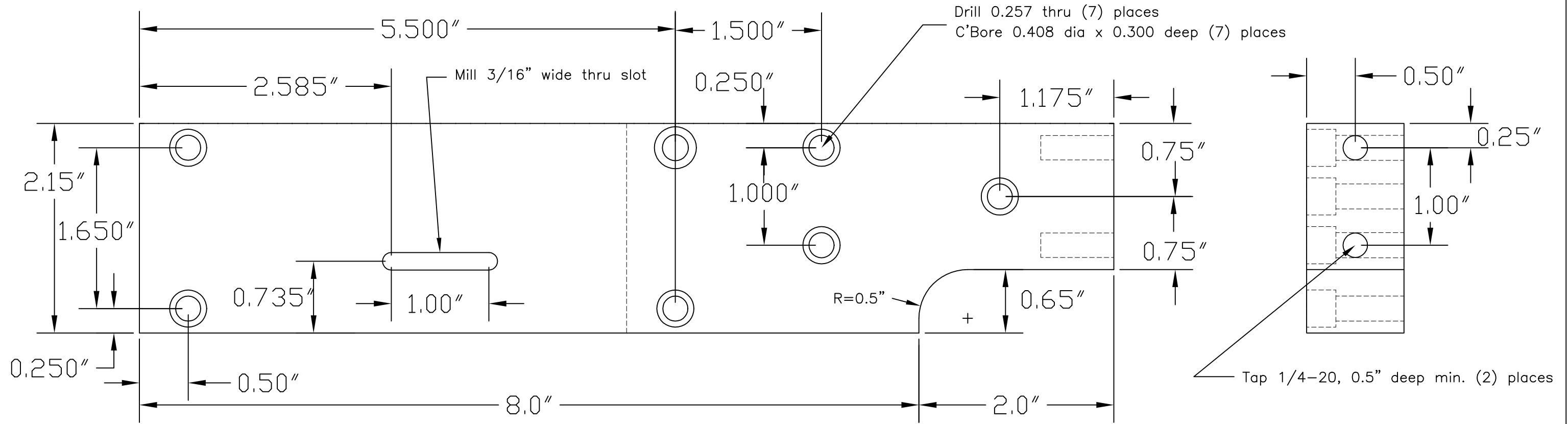


Mid Spacer

- NOTES:
1. BREAK ALL SHARP EDGES
 2. FOR USE WITH ONE U100A MIRROR HOLDER

NEXT ASSY	USED ON
APPLICATION	

QTY REQD	FSCM NO.	PART OR IDENTIFYING NO.	NOMENCLATURE OR DESCRIPTION	MATERIAL SPECIFICATION
PARTS LIST				
UNLESS OTHERWISE SPECIFIED DIMENSIONS ARE IN INCHES TOLERANCES ARE: FRACTIONS DECIMALS ANGLES ± .XX±.01 ± .XXX±.005 .XXXX±.0005		CONTRACT NO.	<i>LIGO Project</i> <i>California Institute of Technology</i> <i>Massachusetts Institute of Technology</i> PSL Pre-stabilized Laser	
MATERIAL 6061-T6		APPROVALS DRAWN T. Mahood	DATE 11/07/00	REF. CAVITY RIGID PERISCOPE-BASE&SPACERS
FINISH		CHECKED	ISSUED	
SIZE B		FSCM NO.	DWG. NO. D000364-00-W	REV.
DO NOT SCALE DRAWING		PeriRigid1.dwg	SCALE	SHEET 1 of 3

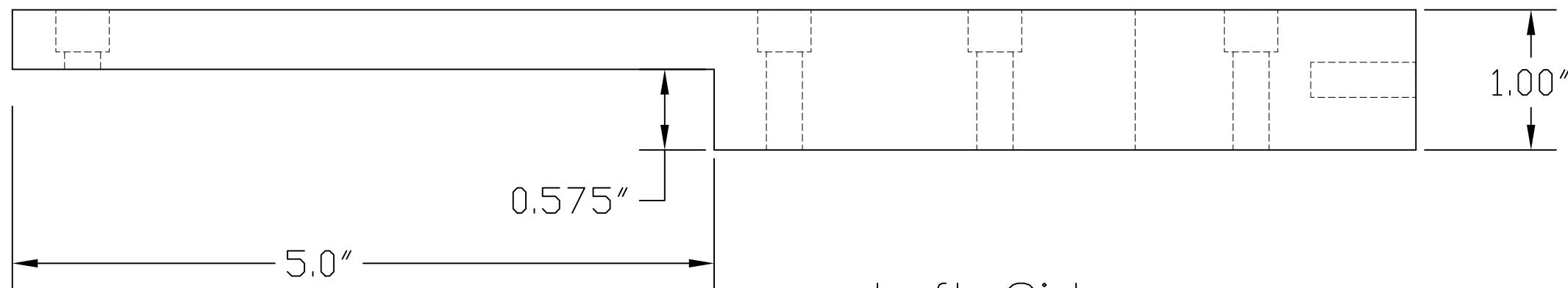
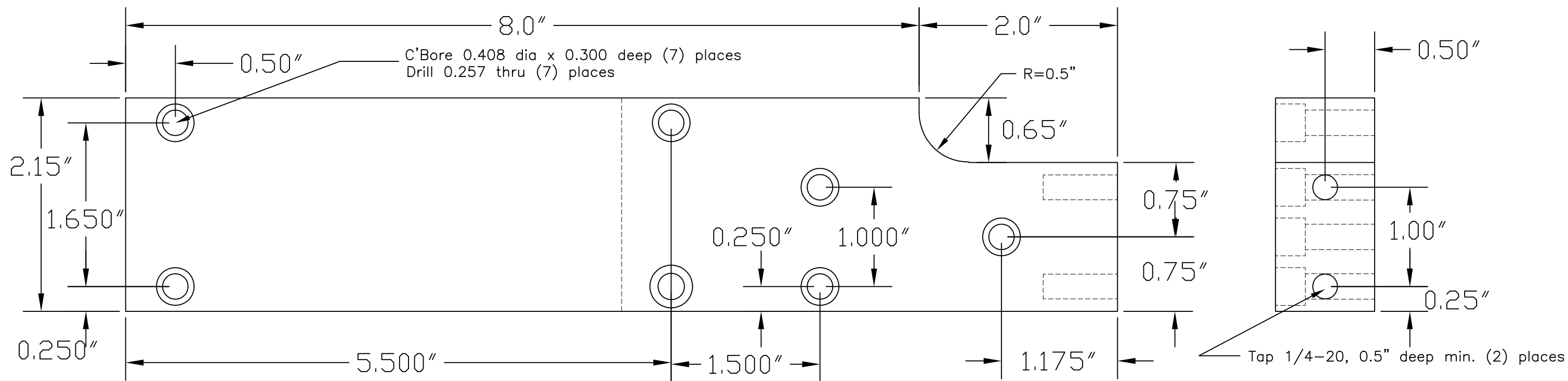


Right Side

NOTES:

- BREAK ALL SHARP EDGES

QTY REQD	FSCM NO.	PART OR IDENTIFYING NO.	NOMENCLATURE OR DESCRIPTION		MATERIAL SPECIFICATION
PARTS LIST					
UNLESS OTHERWISE SPECIFIED DIMENSIONS ARE IN INCHES TOLERANCES ARE: FRACTIONS DECIMALS ANGLES ± .XX±.01 ± .XXX±.005 .XXXX±.0005			CONTRACT NO.		<i>LIGO Project</i> <i>California Institute of Technology</i> <i>Massachusetts Institute of Technology</i>
MATERIAL 6061-T6			APPROVALS DRAWN T. Mahood	DATE 11/07/00	PSL Pre-stabilized Laser REF. CAVITY RIGID PERISCOPE-RIGHT SIDE
FINISH			CHECKED	ISSUED	
NEXT ASSY	USED ON			SIZE B	FSCM NO.
APPLICATION		DO NOT SCALE DRAWING	PeriRigid2.dwg	SCALE	DWG. NO. D000364-00-W
				SHEET	2 of 3



Left Side

NOTES:
1. BREAK ALL SHARP EDGES

QTY REQD	FSCM NO.	PART OR IDENTIFYING NO.	NOMENCLATURE OR DESCRIPTION	MATERIAL SPECIFICATION
PARTS LIST				
UNLESS OTHERWISE SPECIFIED DIMENSIONS ARE IN INCHES TOLERANCES ARE: FRACTIONS DECIMALS ANGLES ± .XX±.01 ± .XXX±.005 .XXXX±.0005		CONTRACT NO.		<i>LIGO Project</i> <i>California Institute of Technology</i> <i>Massachusetts Institute of Technology</i>
MATERIAL 6061-T6		APPROVALS DRAWN T. Mahood	DATE 11/07/00	PSL Pre-stabilized Laser
FINISH		CHECKED	ISSUED	REF. CAVITY RIGID PERISCOPE-LEFT SIDE
NEXT ASSY	USED ON	SIZE B		FSCM NO. DWG. NO. D000364-00-W REV.
APPLICATION		DO NOT SCALE DRAWING	PeriRigid3.dwg	SCALE SHEET 3 of 3