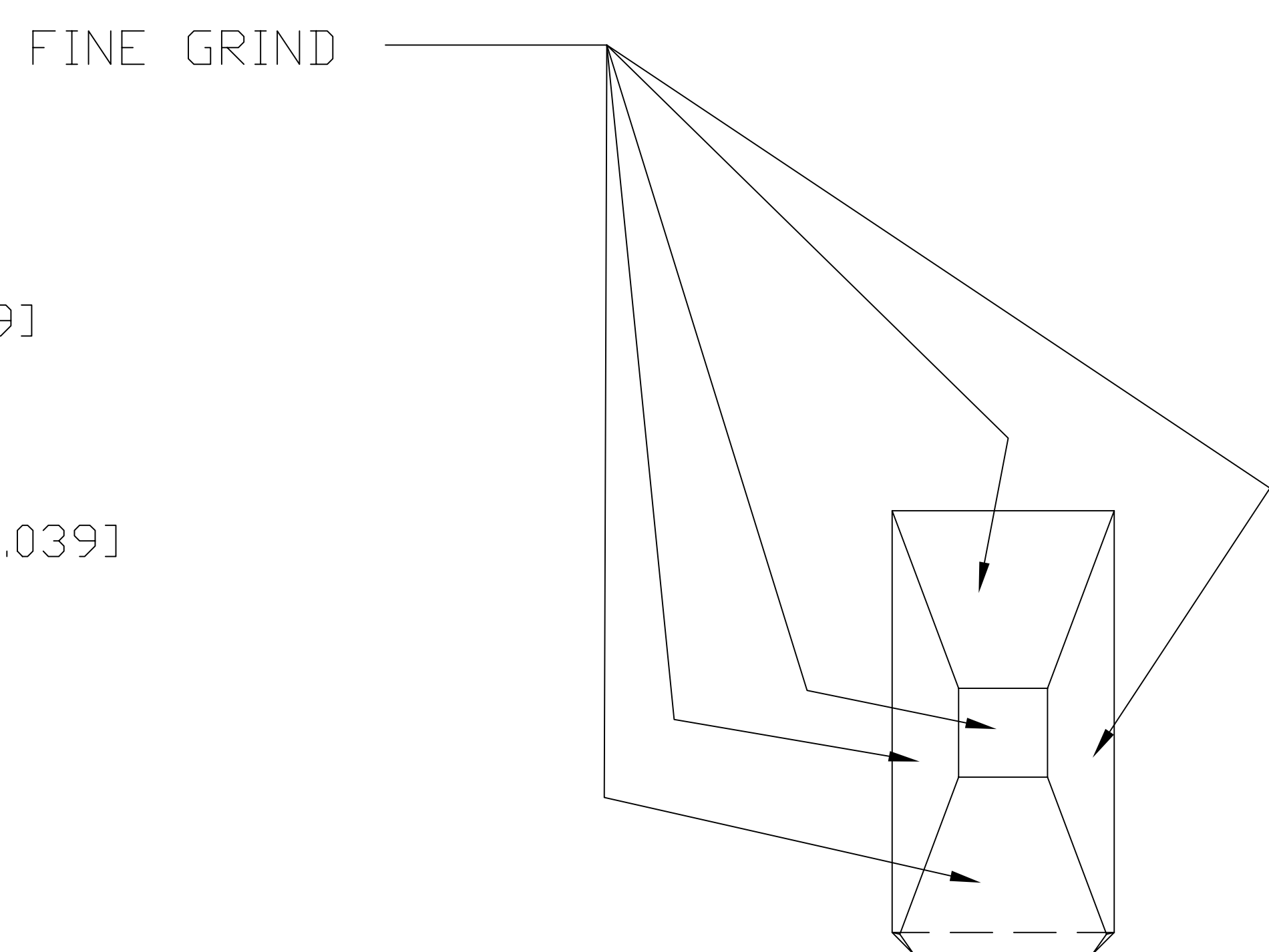
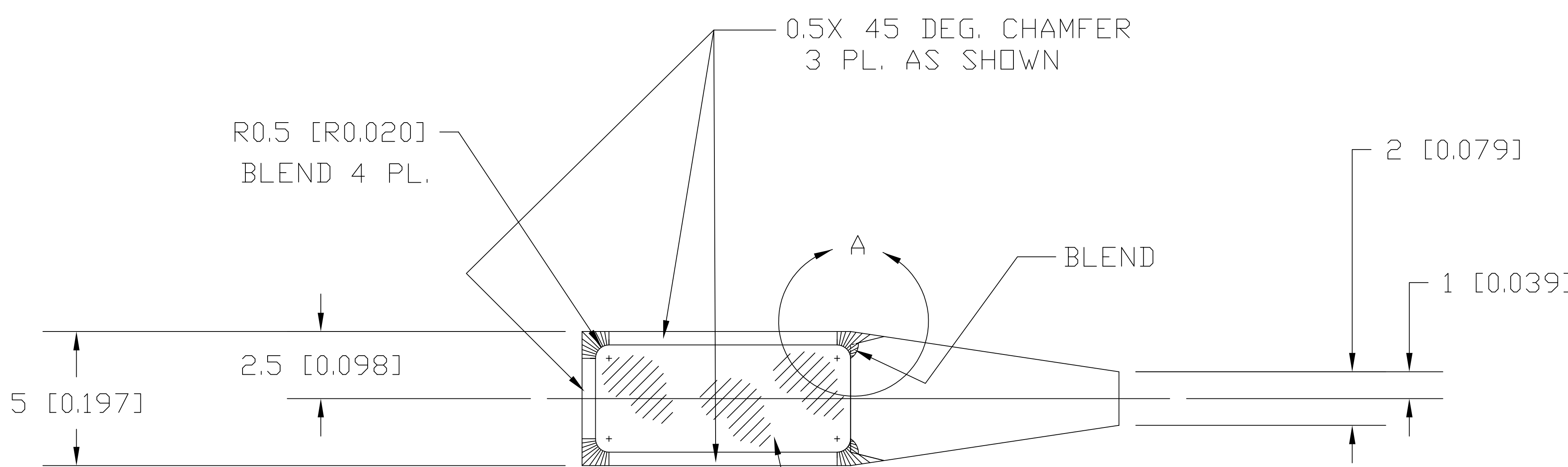


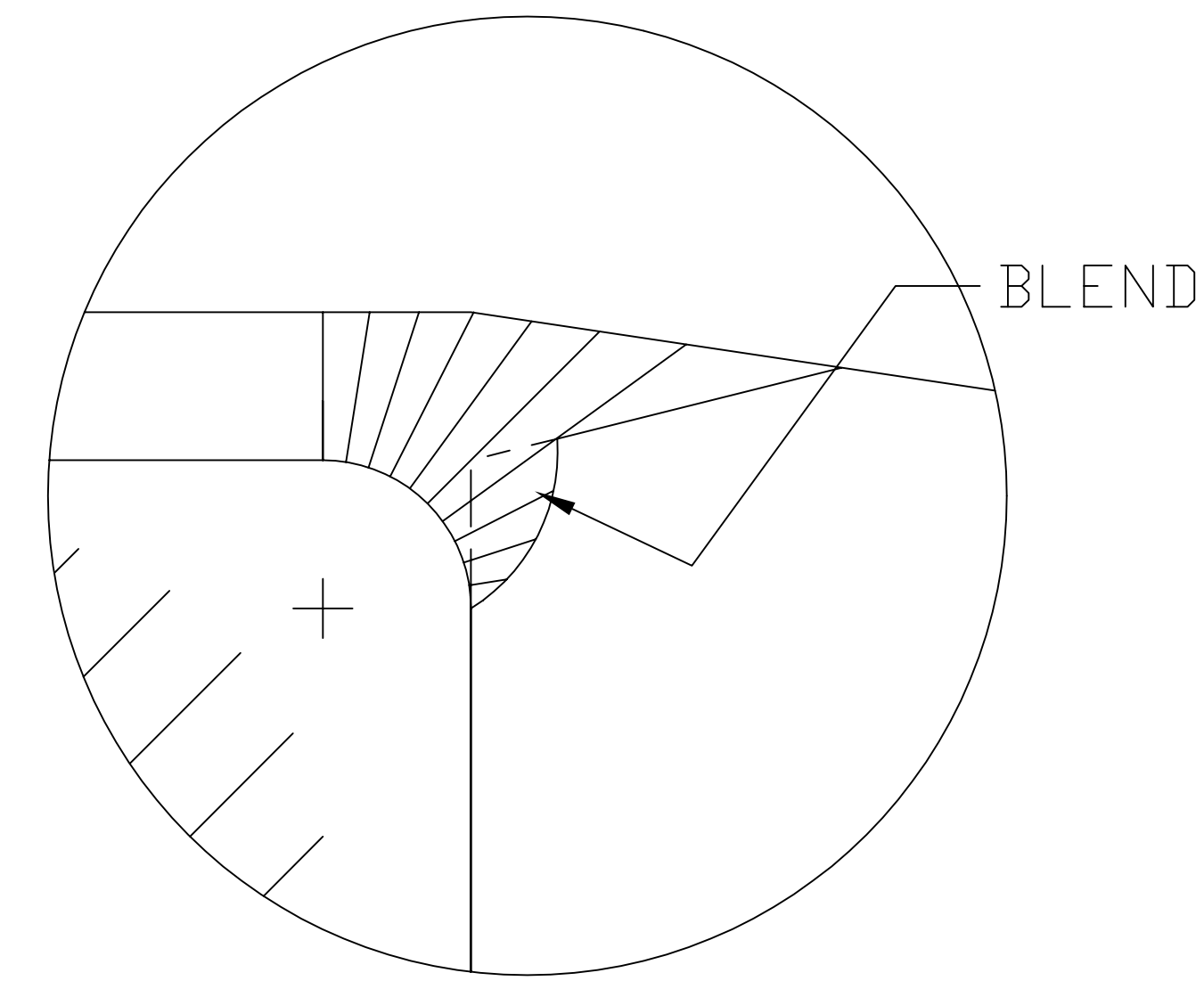
SIDE VIEW



END VIEW



BOTTOM VIEW



ENLARGED DETAIL -A-

NOTES: (UNLESS OTHERWISE SPECIFIED)
 ALL DIMENSIONS ARE IN MILLIMETERS
 MATERIAL: CORNING 7940/7980 1-G
 SURFACE 1: POLISH 1/10 WAVE
 FLAT SURFACE QUALITY: 60/40
 ALL OTHER SURFACES (EXCEPT AS NOTED) COMMERCIAL GRADE POLISH

REF.	QTY.	PART or DRWG No.	NOMENCLATURE or DESCRIPTION	MATERIAL
PARTS and MATERIAL LIST				

UNLESS OTHERWISE SPECIFIED DIMENSIONS ARE IN MILLIMETERS TOLERANCES: ANGULAR ± .25° +/- 1.5 mm		MATERIAL: SEE NOTES		HEAT TREAT:		FINISH:	
		USED ON: XXX	NEXT ASS'Y: XXX		A		NEW-RELEASE
DWG. NO.	DESCRIPTION	LIGO-E000512-00-R		HELENA	kenm	11-15-00	CAD FILE
REFERENCE DRAWINGS	SEE NOTES	D000383-A		APPR'D	CHECK	DRWN	DATE
		SCALE 1 : 1		SHEET 1 OF 1		D000383-A	

LIGO CALIFORNIA INSTITUTE OF TECHNOLOGY
 MASSACHUSETTS INSTITUTE OF TECHNOLOGY

FUSED SILICA
 PRISM (EAR)

REV	DESCRIPTION	DCN NUMBER	APPR'D	CHECK	DRWN	DATE

6 5 4 3 2 1

D

C

B

A

6 5 4 3 2 1