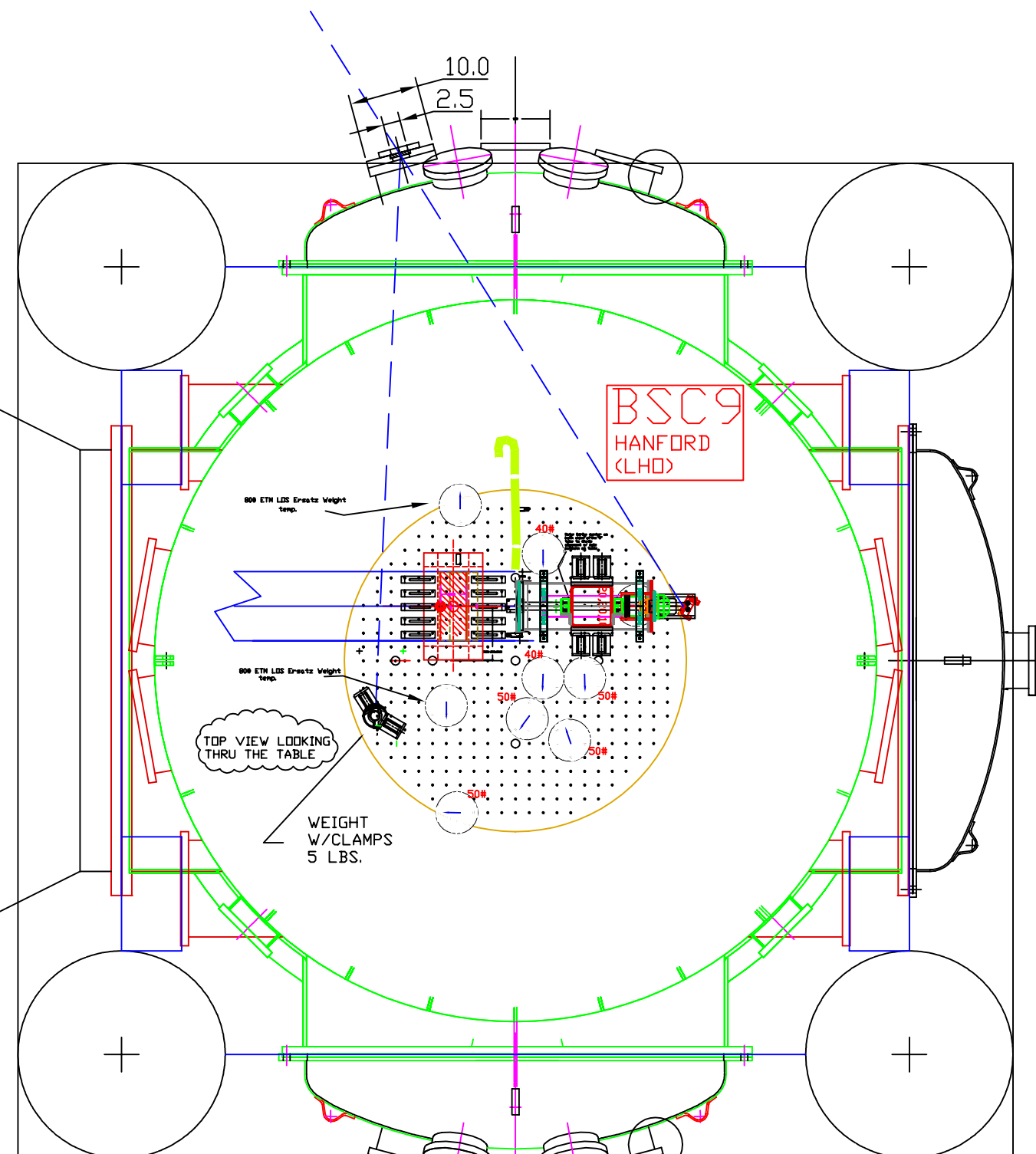
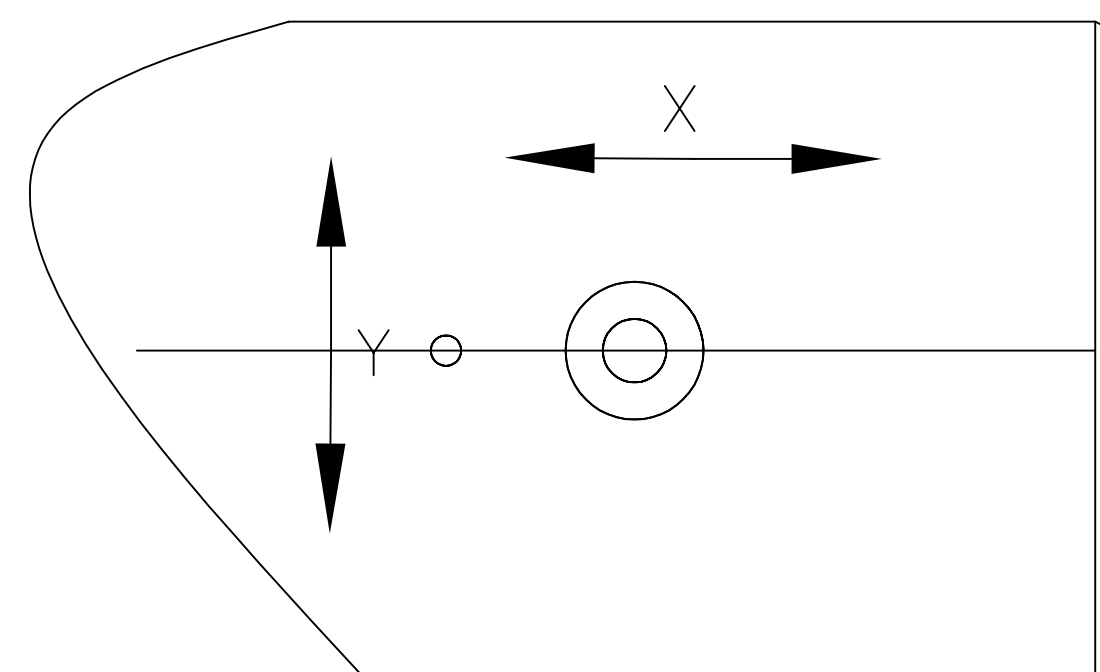
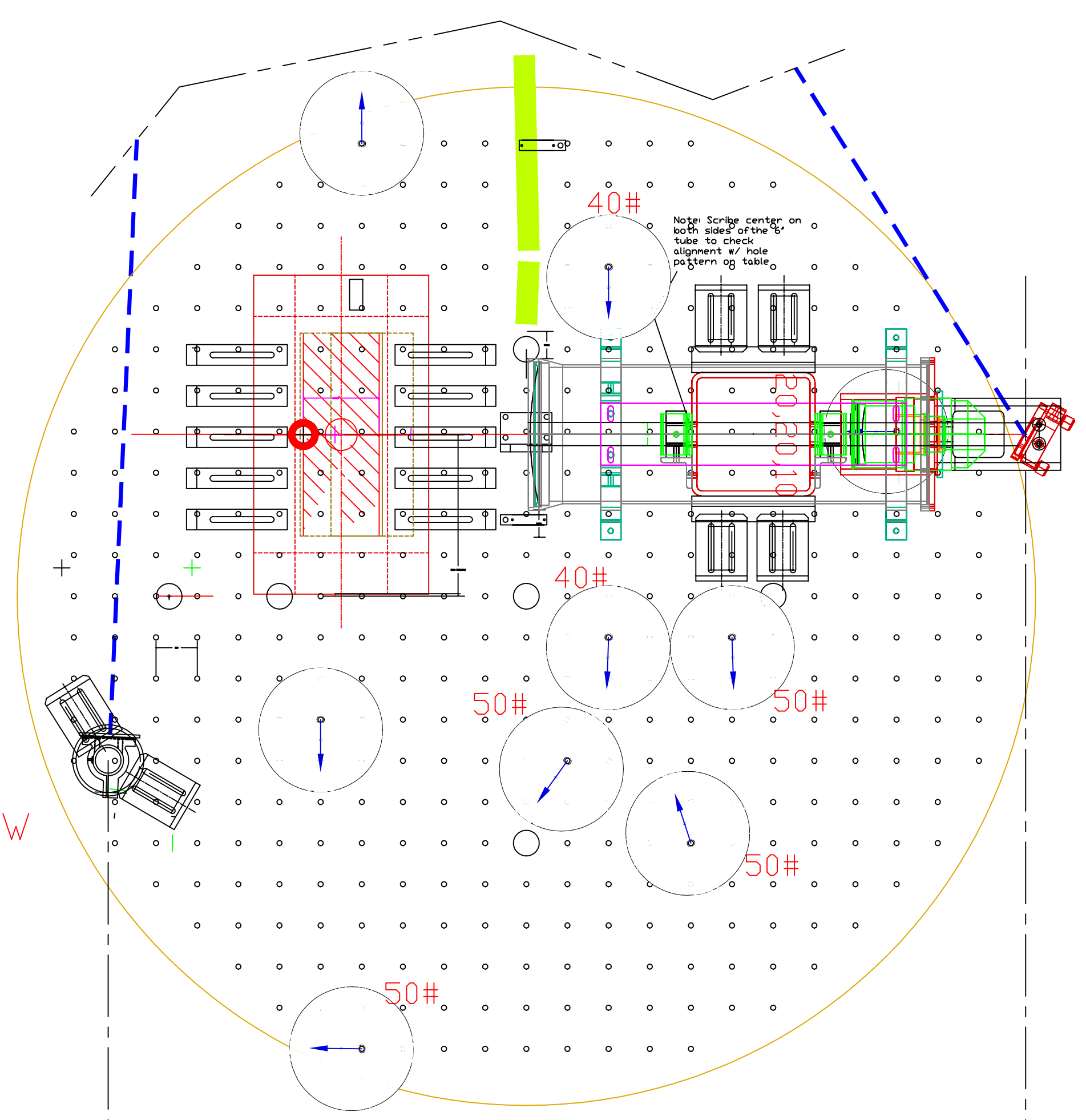


NOTES: (UNLESS OTHERWISE SPECIFIED)

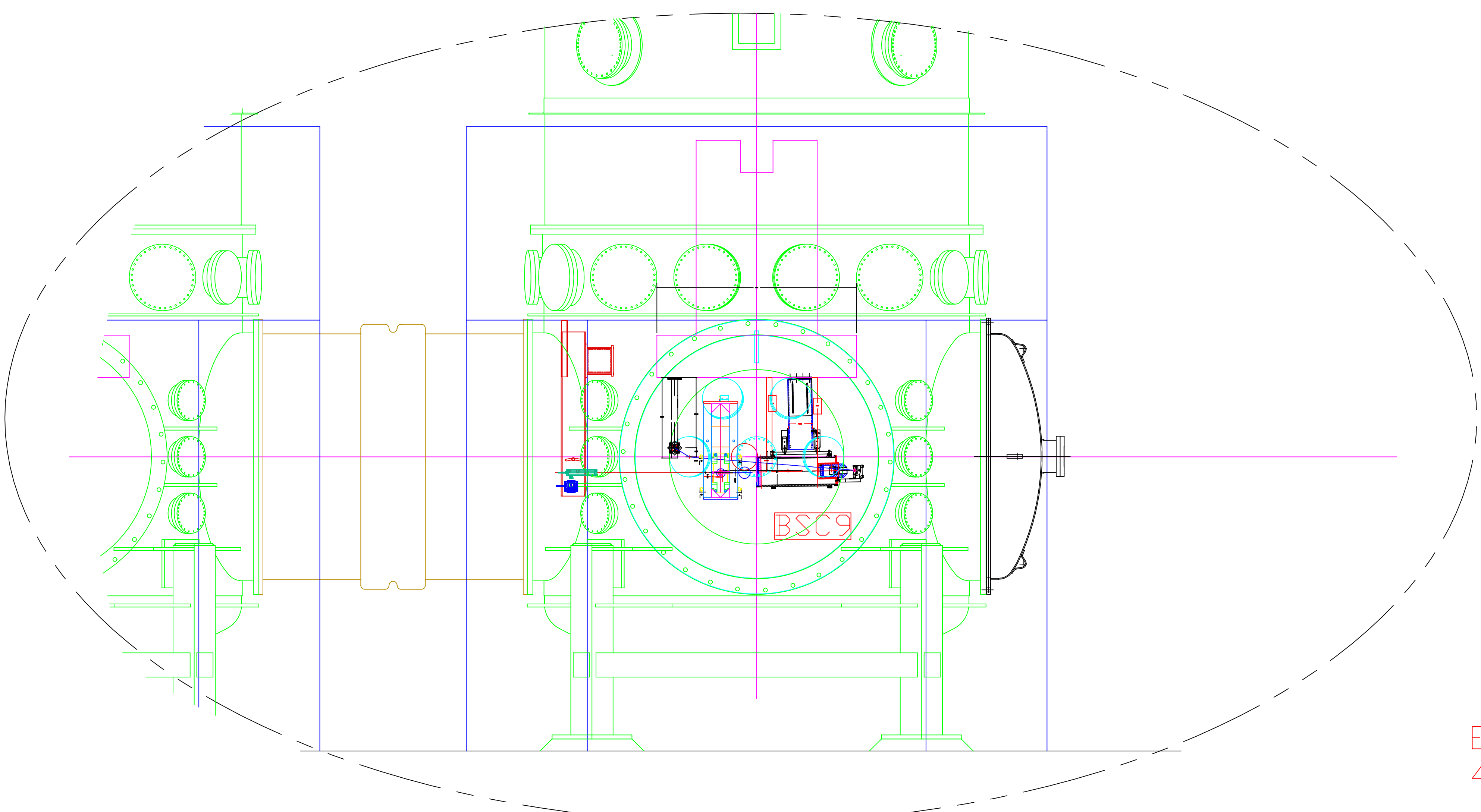


PLAN VIEW

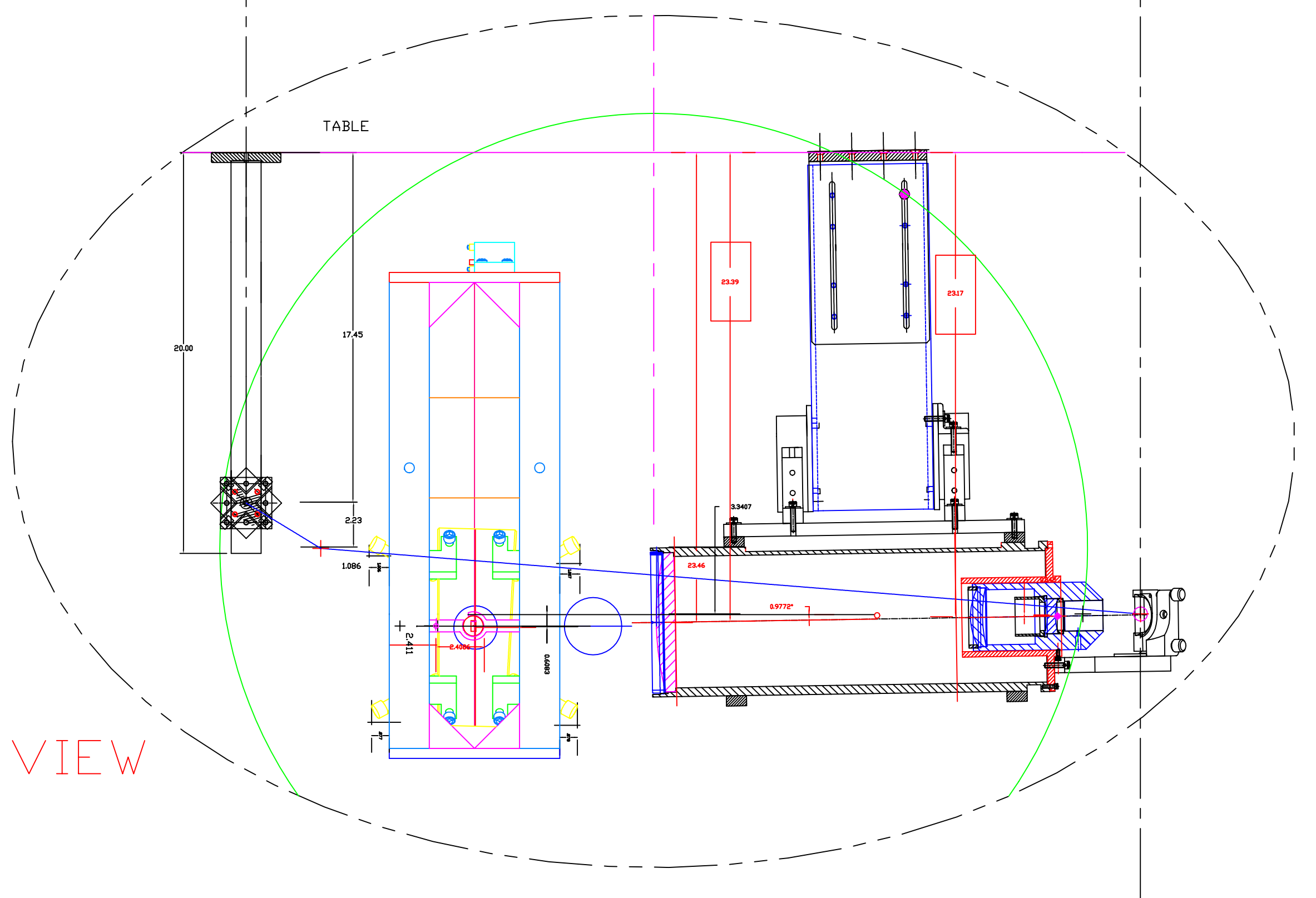
HANFORD
(LHD)
Layout
_12/10/2000



PLAN VIEW
4X



ELEVATION VIEW



ELEVATION VIEW
4X

REF	QTY	PART or DRWG No.	DESCRIPTION	MATERIAL
-----	-----	------------------	-------------	----------

DWG. NO.		DESCRIPTION		UNLESS OTHERWISE SPECIFIED DIMENSIONS ARE IN INCHES		REV		ISSUE DESCRIPTION		SCALE		SHEET	
REFERENCE DRAWINGS				TOLERANCES: FRACTIONAL ± 1/16 ANGULAR ± .25° ANGULAR MACH ± BEND ± TWO PLACE DECIMAL ± .01		THREE PLACE DECIMAL ± .005 FINISHED SURFACE RMS 63 BREAK CORNERS IN: .015 OUT: .015 REMOVE ALL BURRS		A NEW -RELEASE 00 PRE-RELEASE REV DESCRIPTION		LIGO-E000556-00-D - DCN NUMBER APPR'D CHECK DRWN DATE		LIGO CALIFORNIA INSTITUTE OF TECHNOLOGY MASSACHUSETTS INSTITUTE OF TECHNOLOGY ETMX LHD TELESCOPE LOCATION BSC9 CAD FILE D000459-A SIZE E DWG. NO. D000459-A SCALE NONE SHEET 1 OF 1	
USED ON: XXX		NEXT ASS'Y: XXX											