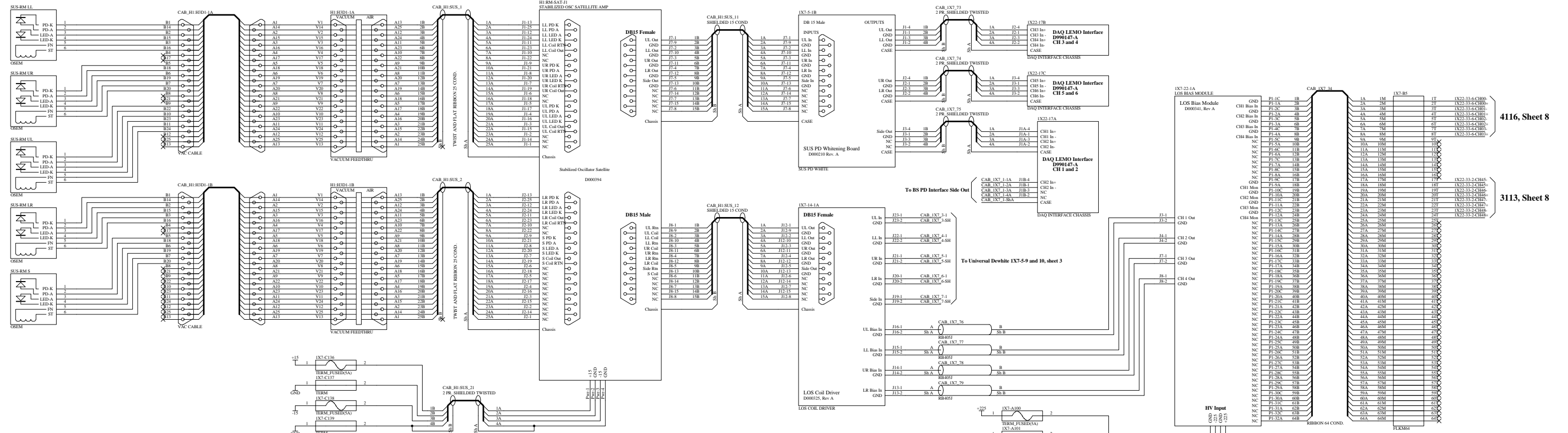
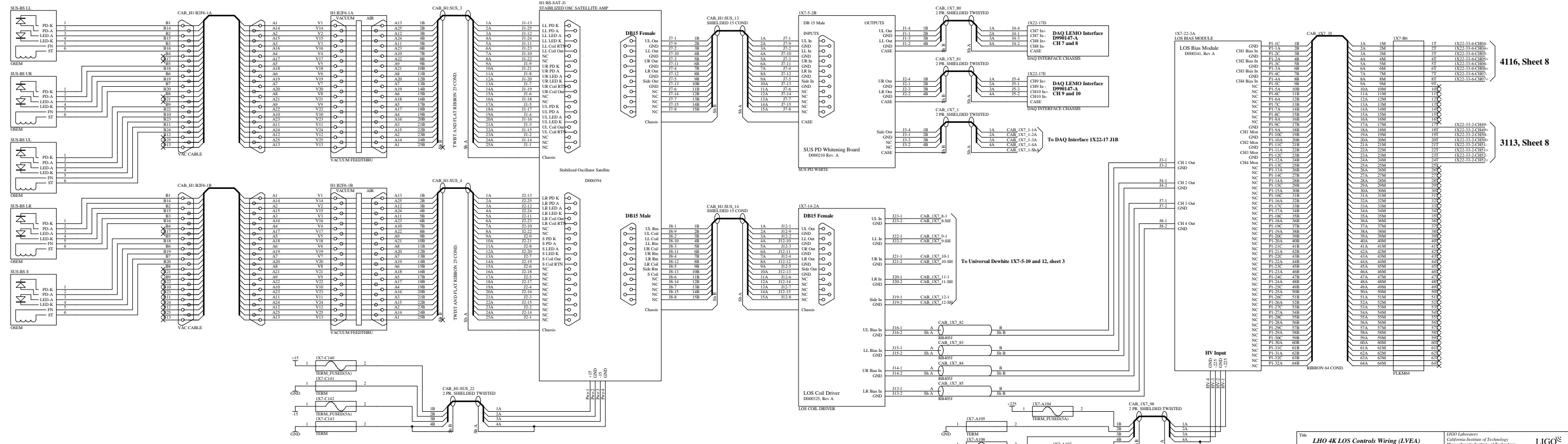


RM



BS

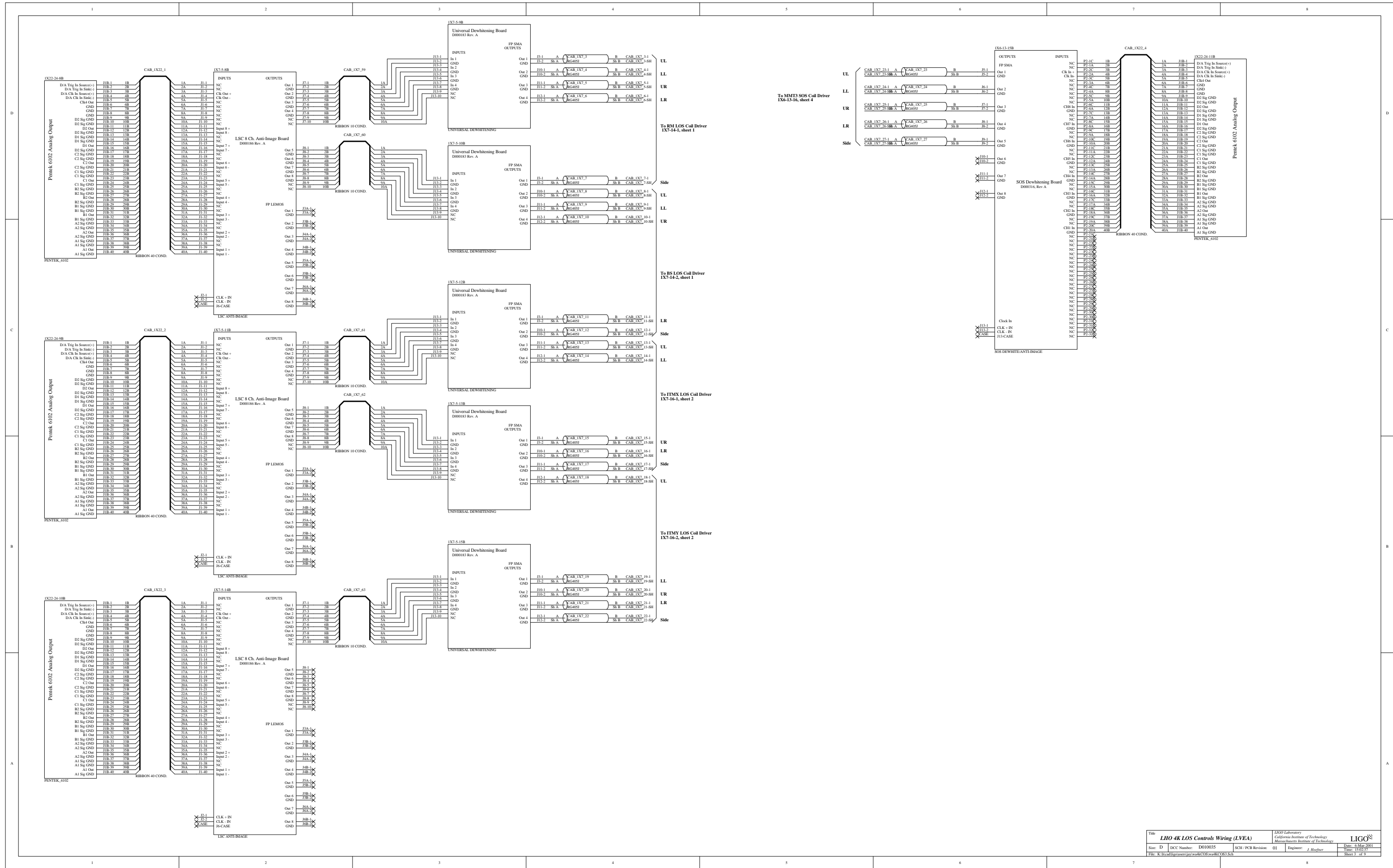


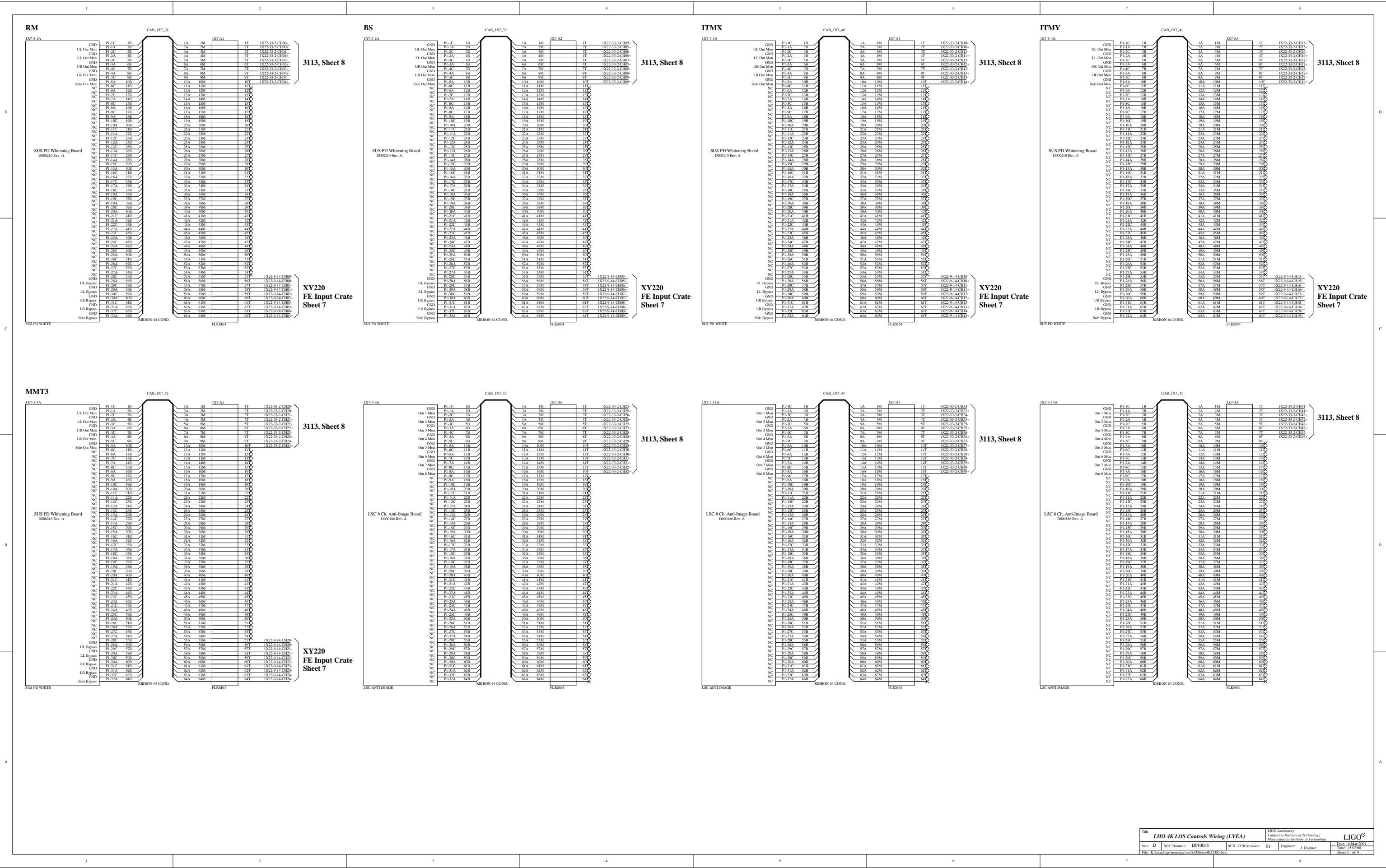
4116, Sheet 8

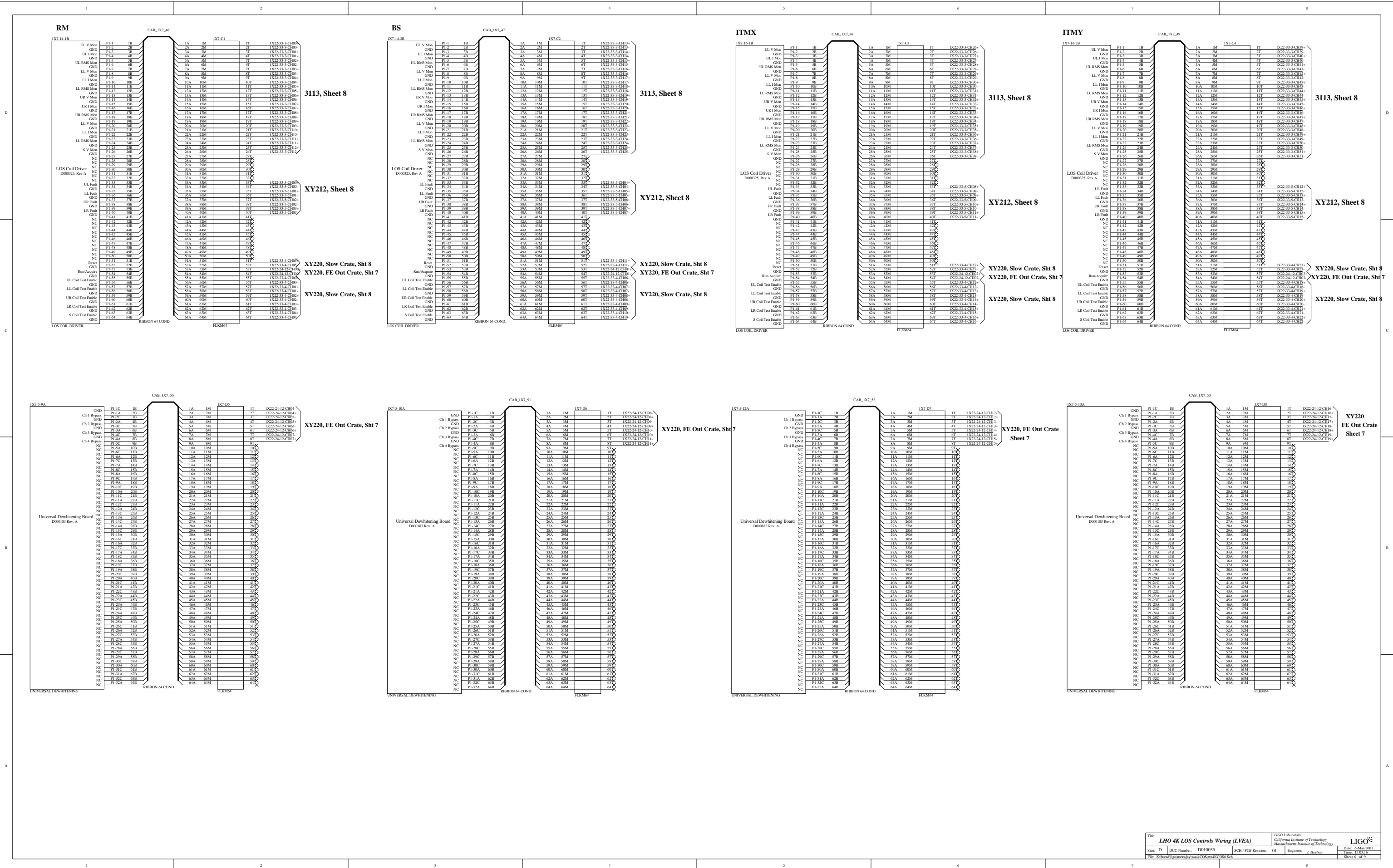
3113, Sheet 8

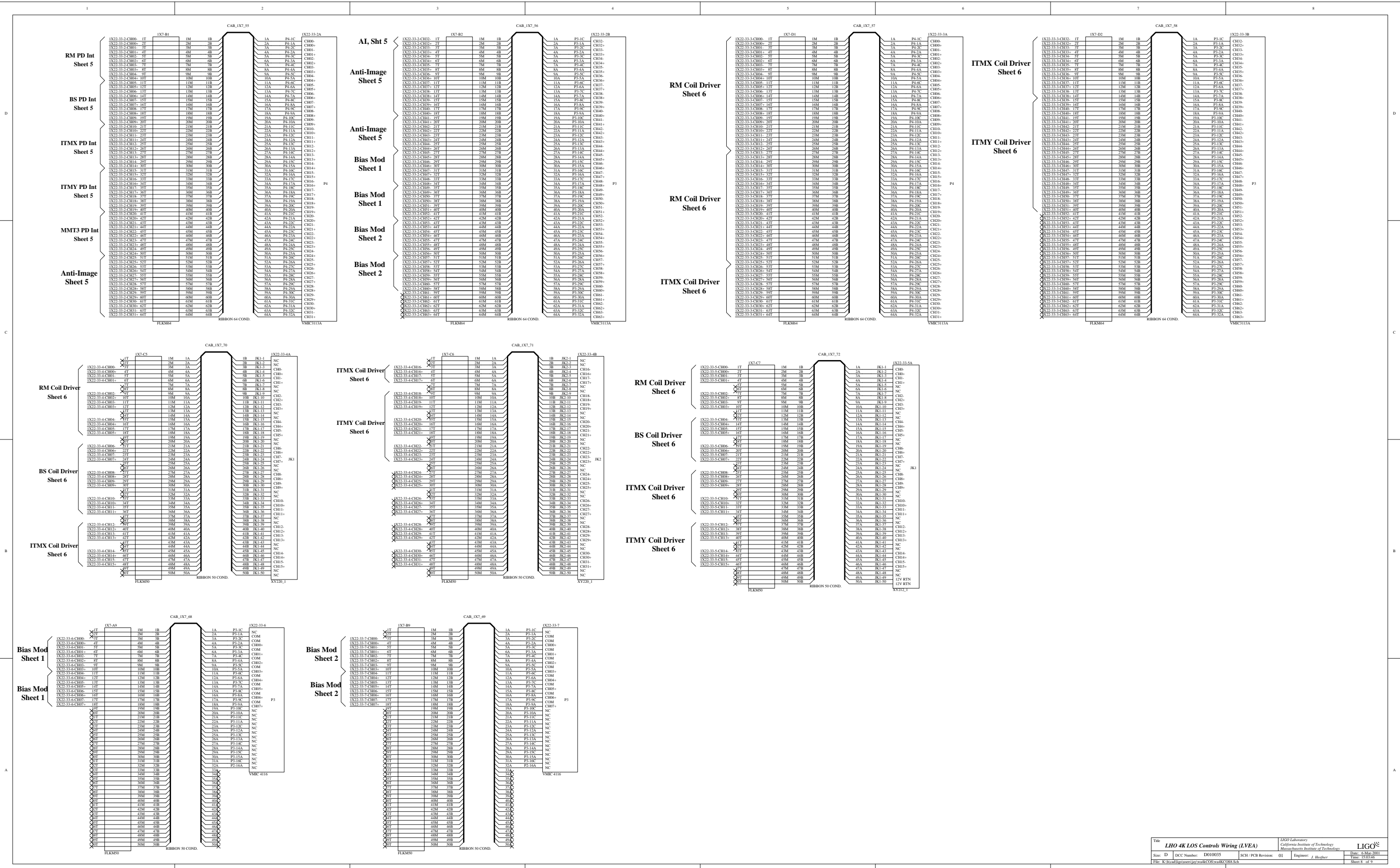
4116, Sheet 8

3113, Sheet 8



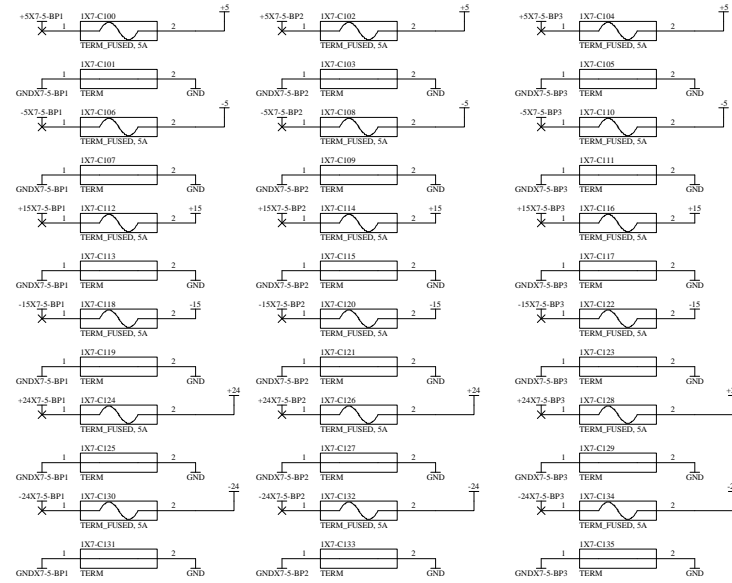






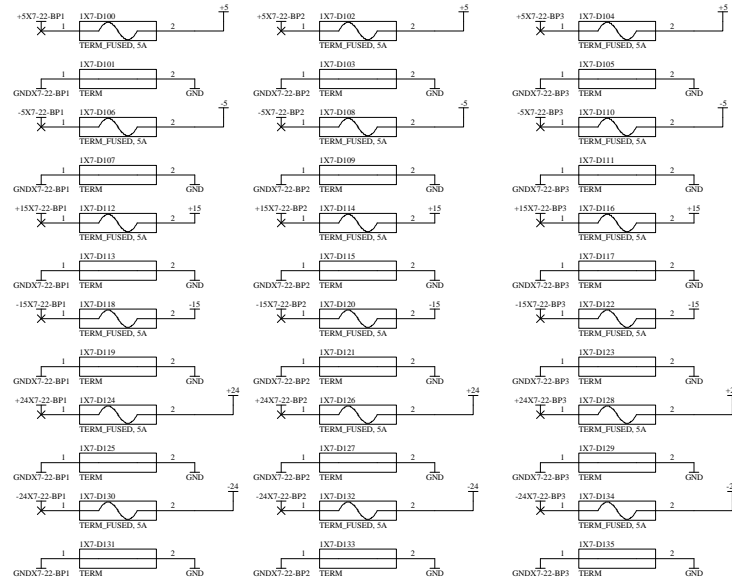
Eurocard Crate Power Connections for Crate 1X20-5

Note:
Power Connections for Eurocard modules are made through the backplane and are designated as VX7-5-BP1. Bulk power supply connections to the eurocard backplane lugs are designated V in Rack 1X7-5.

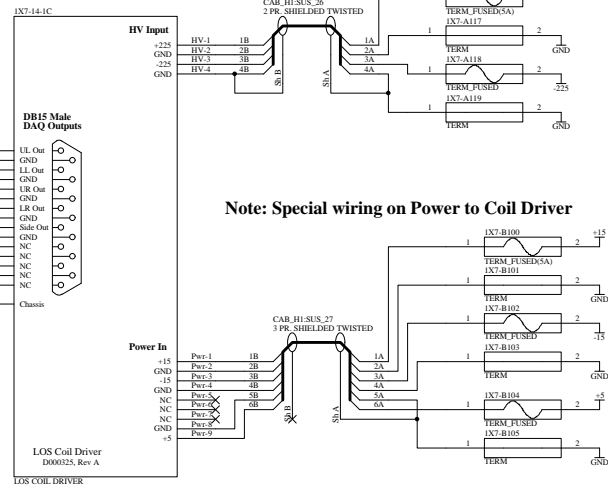


Eurocard Crate Power Connections for Crate 1X20-22

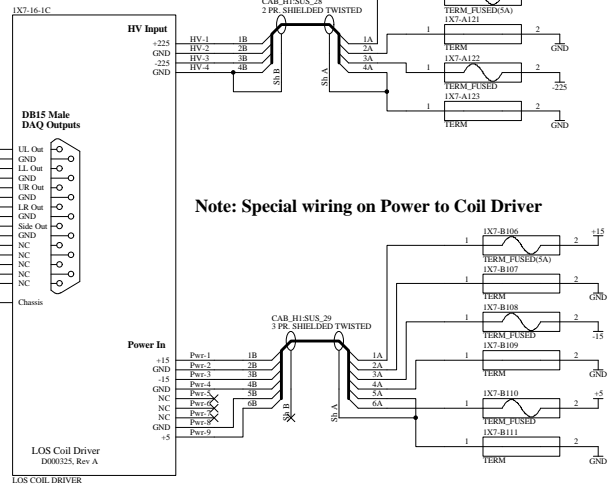
Note:
Power Connections for Eurocard modules are made through the backplane and are designated as VX7-22-BP1. Bulk power supply connections to the eurocard backplane lugs are designated V in Rack 1X7-22.



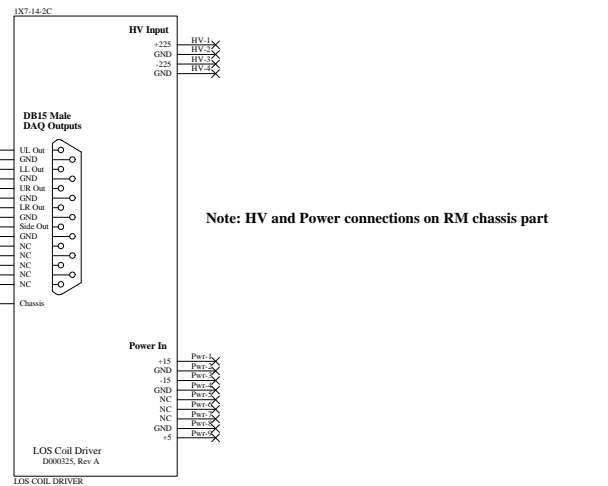
RM Coil Driver



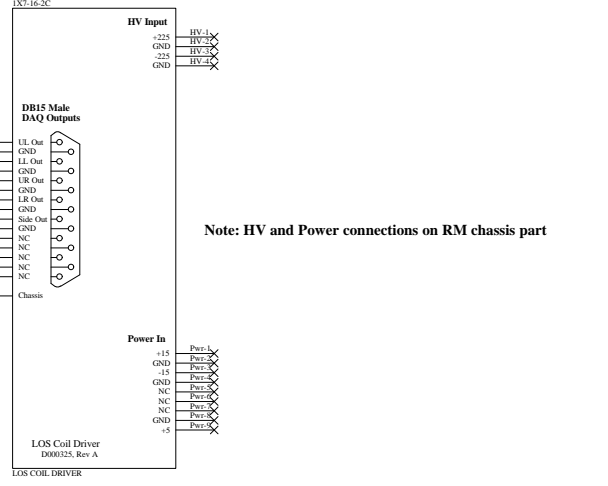
ITMX Coil Driver



BS Coil Driver



ITMY Coil Driver

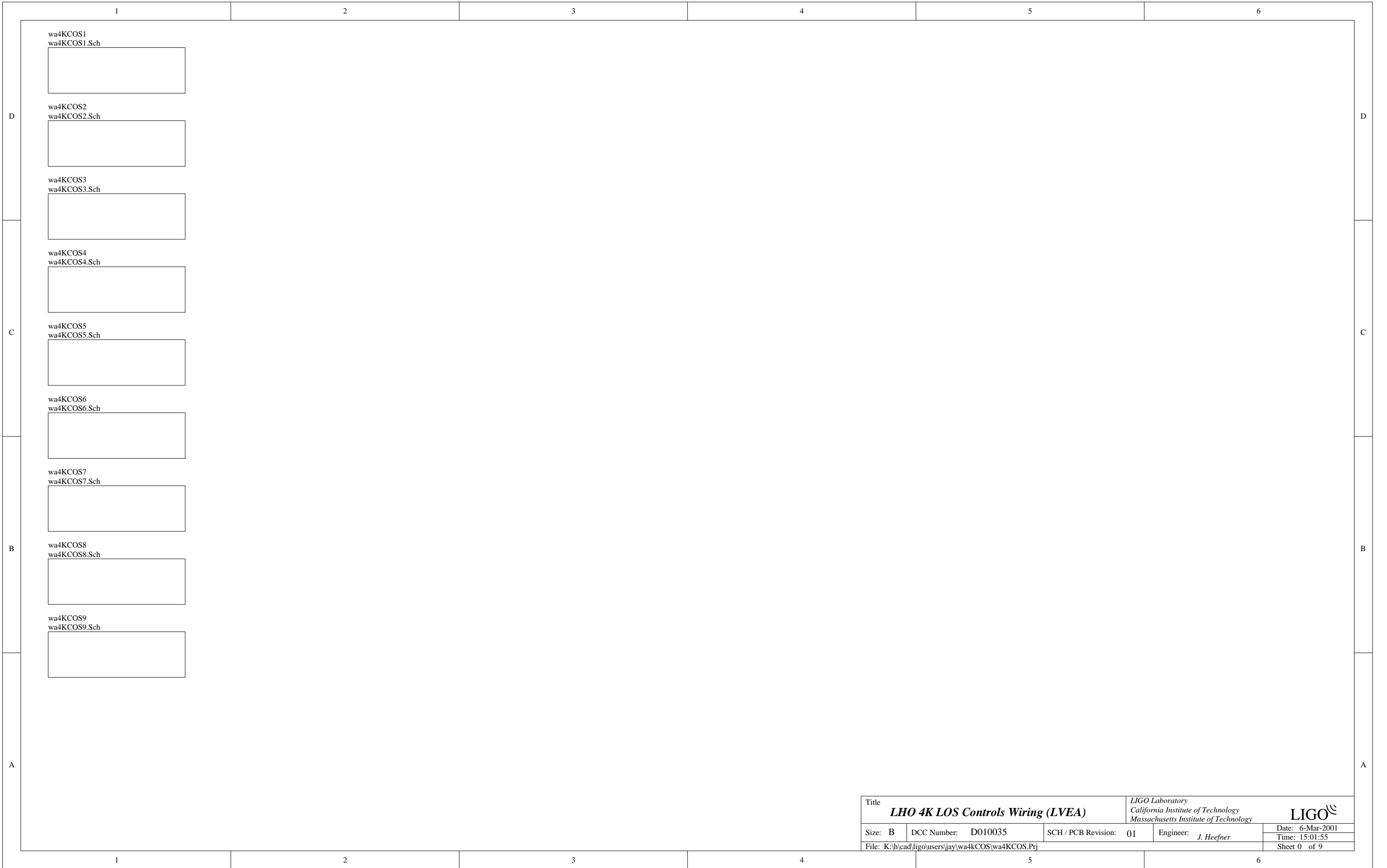


DAQ Connects TB

DAQ Connects TB

DAQ Connects TB

DAQ Connects TB



Title		LHO 4K LOS Controls Wiring (LVEA)		LIGO Laboratory California Institute of Technology Massachusetts Institute of Technology		LIGO	
Size: B	DCC Number: D010035	SCH / PCB Revision: 01	Engineer: J. Heefner	Date: 6-Mar-2001	Time: 15:01:55		
File: K:\hcad\ligo\users\jay\wa4kCOS\wa4kCOS.Prj				Sheet 0 of 9			