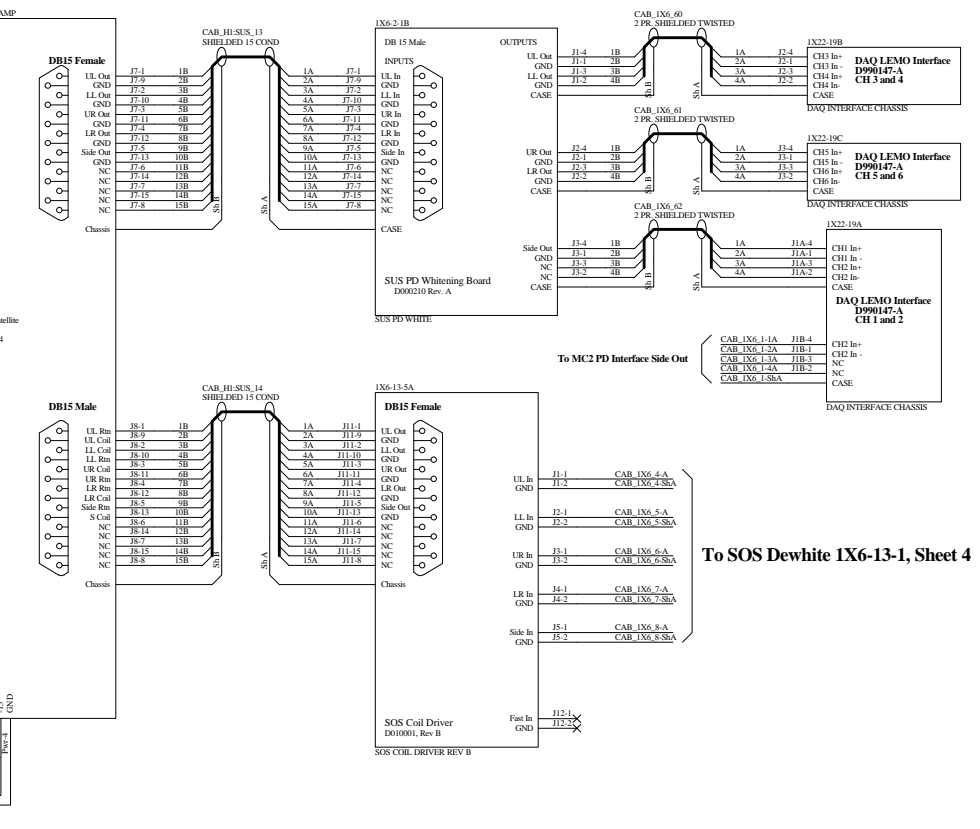
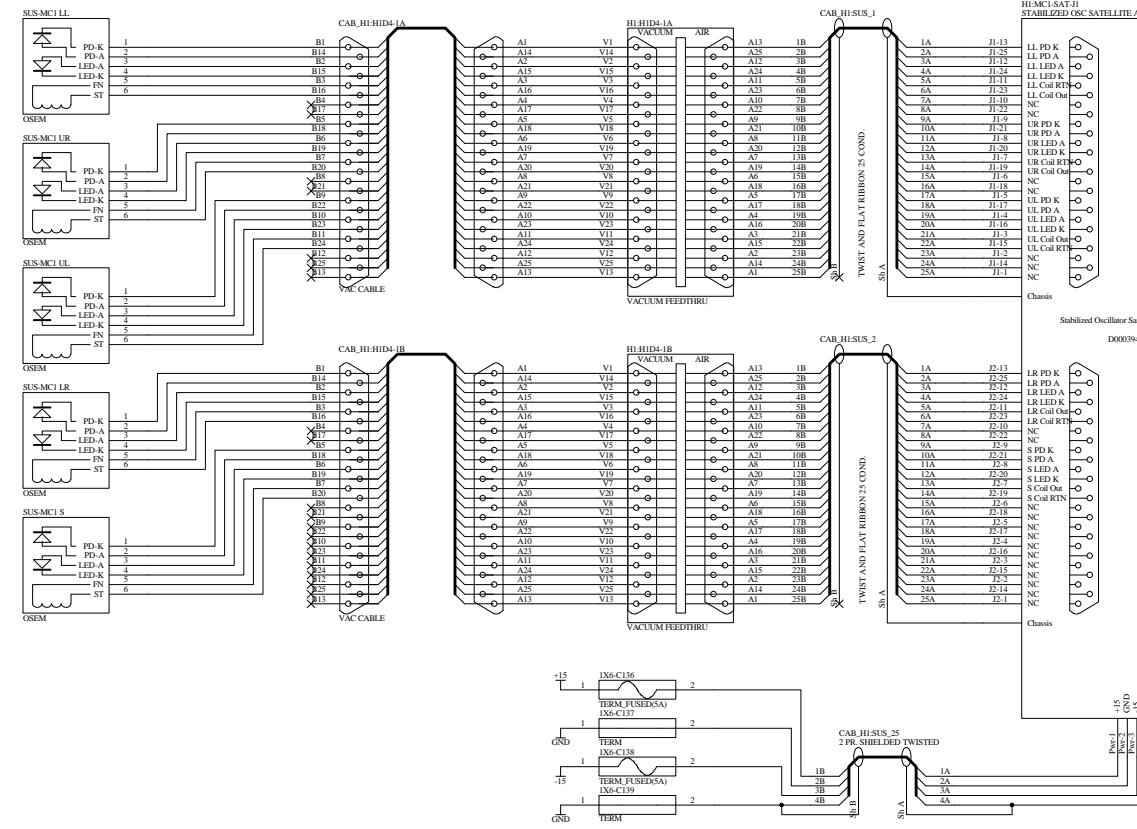
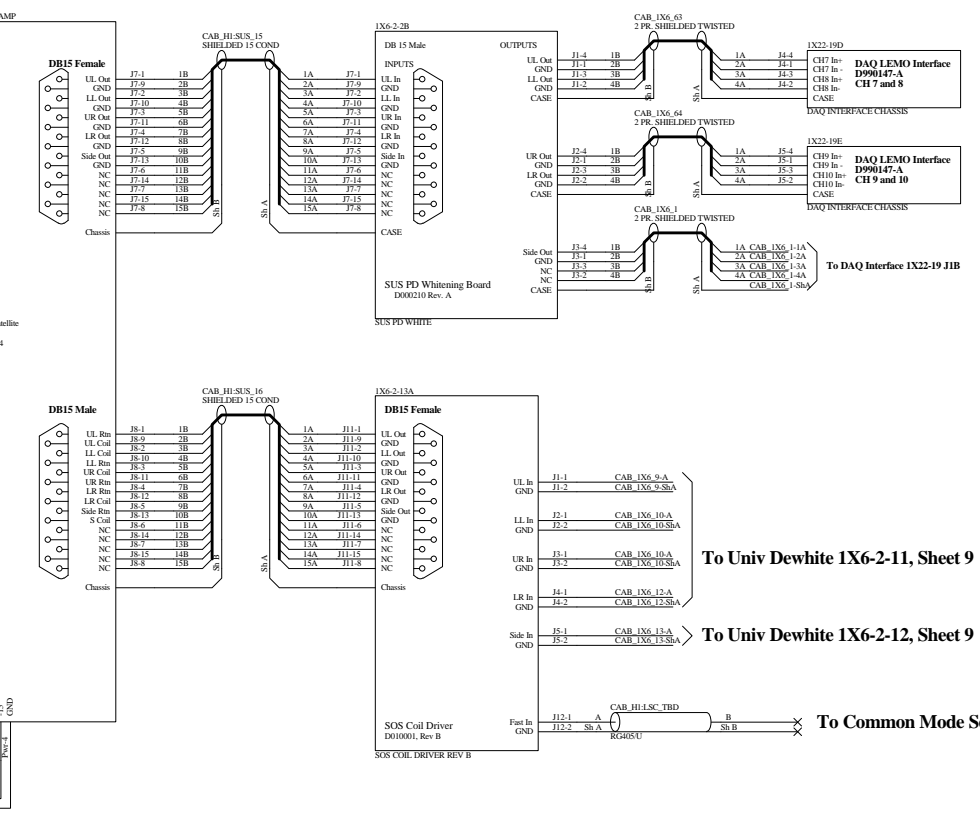
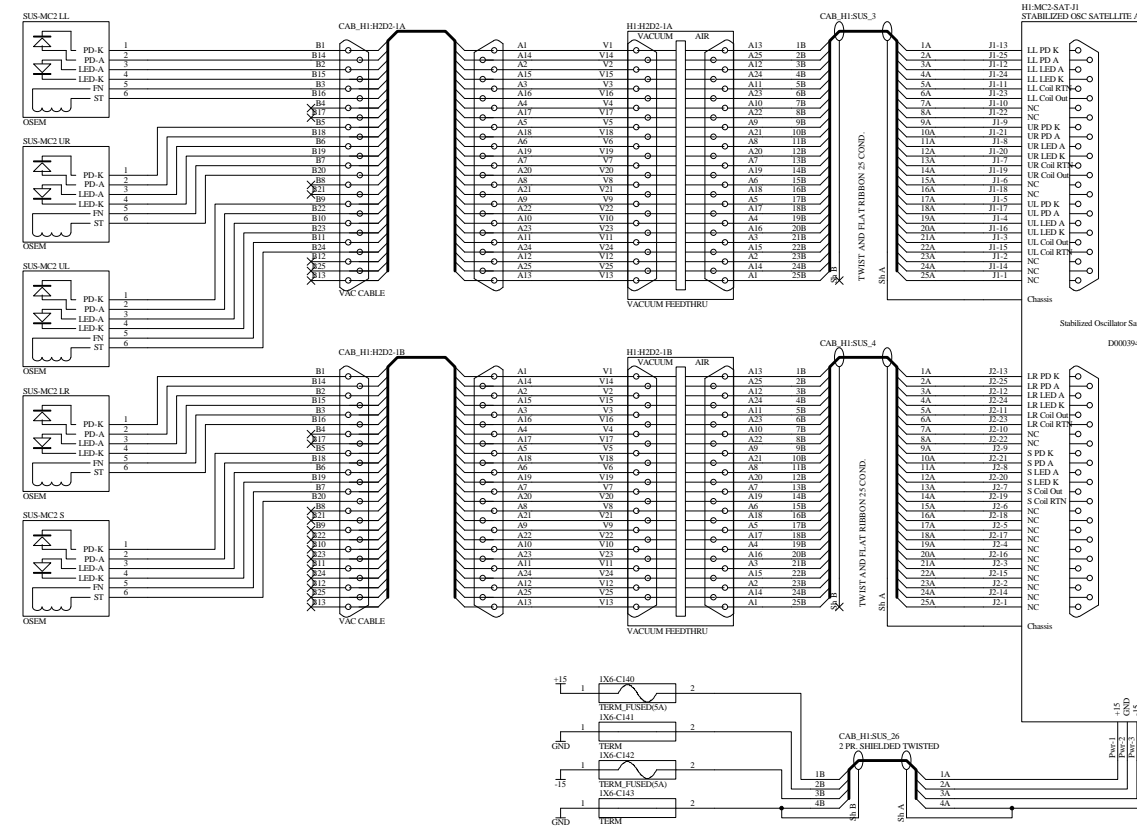


MC1

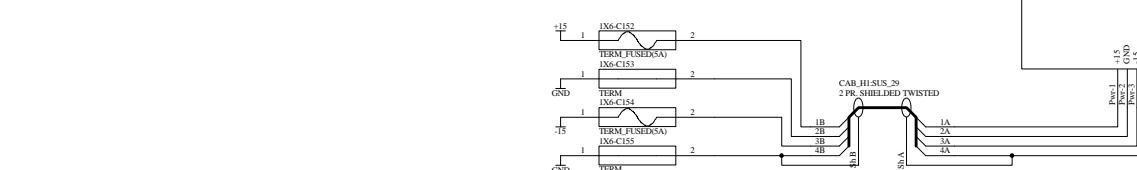
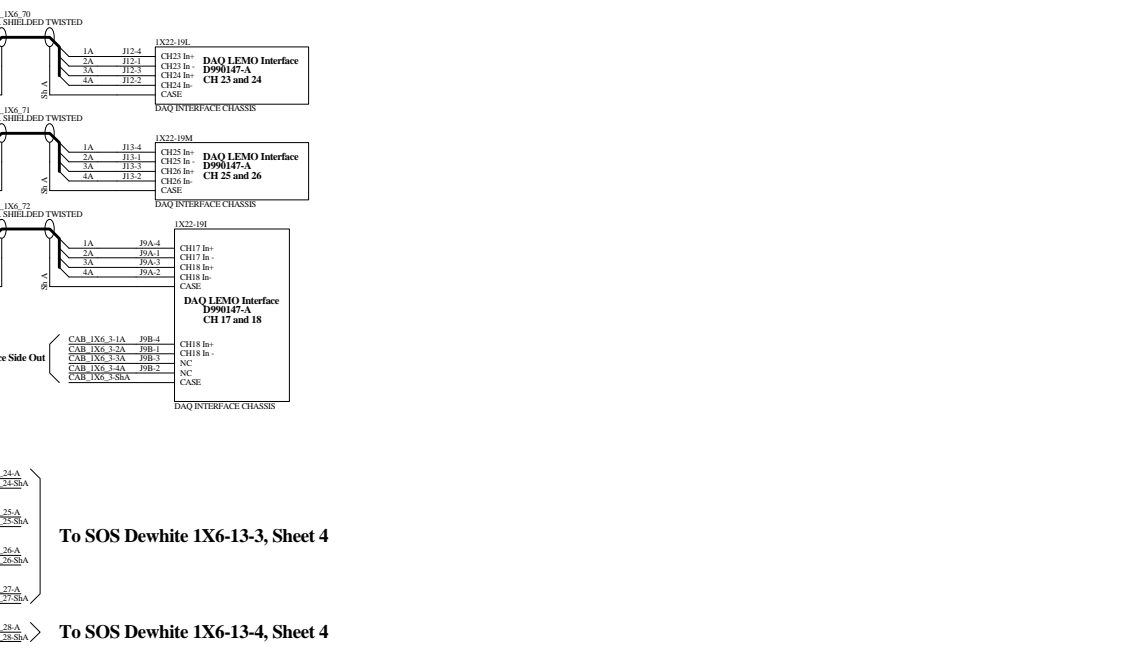
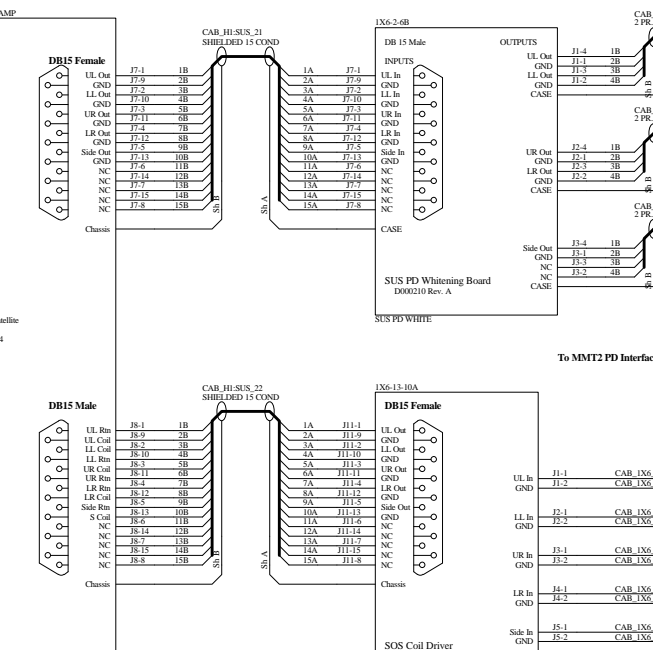
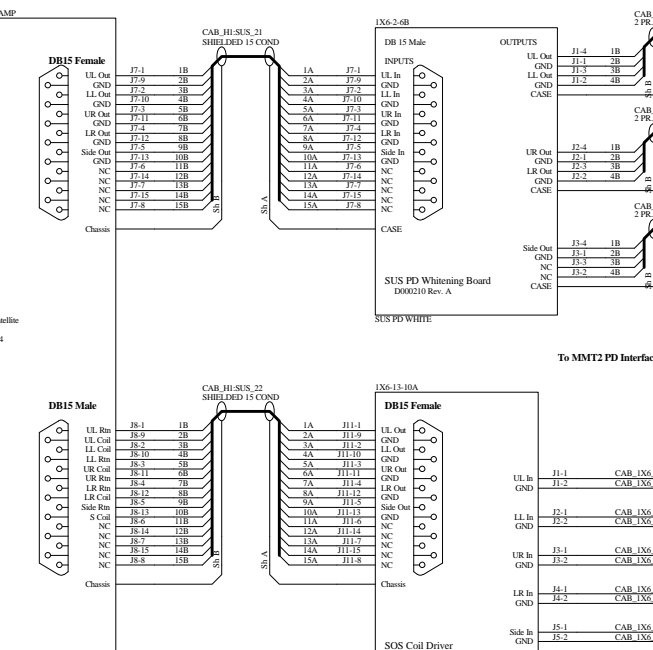
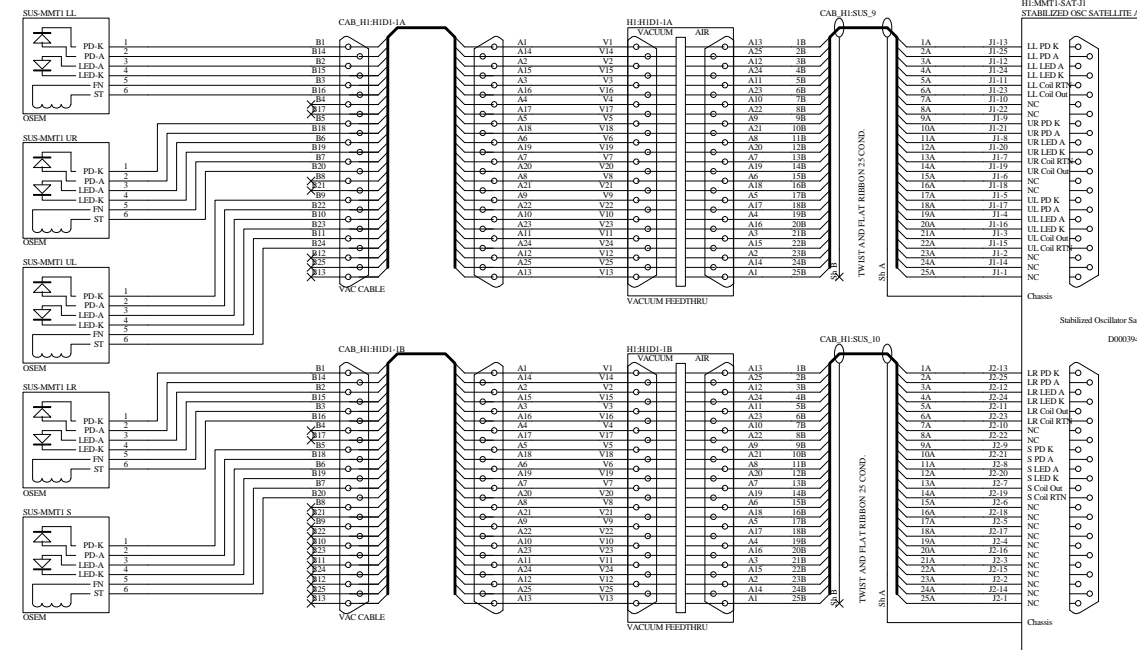


MC2





MMT1











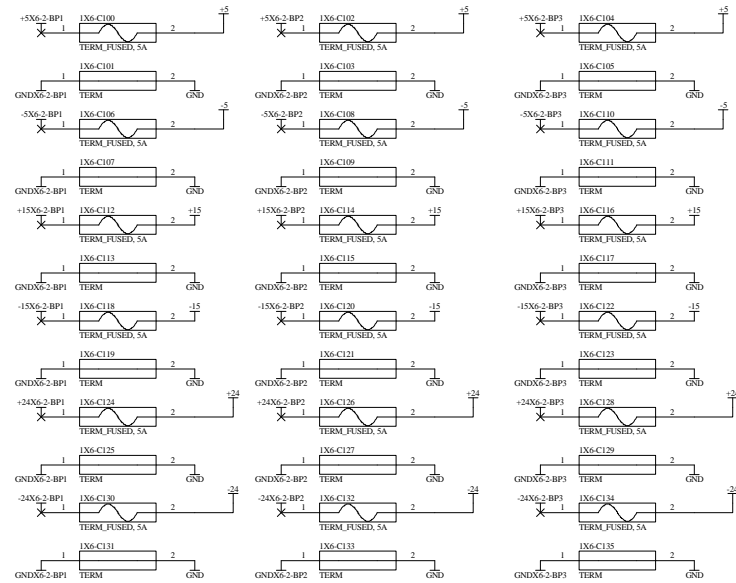






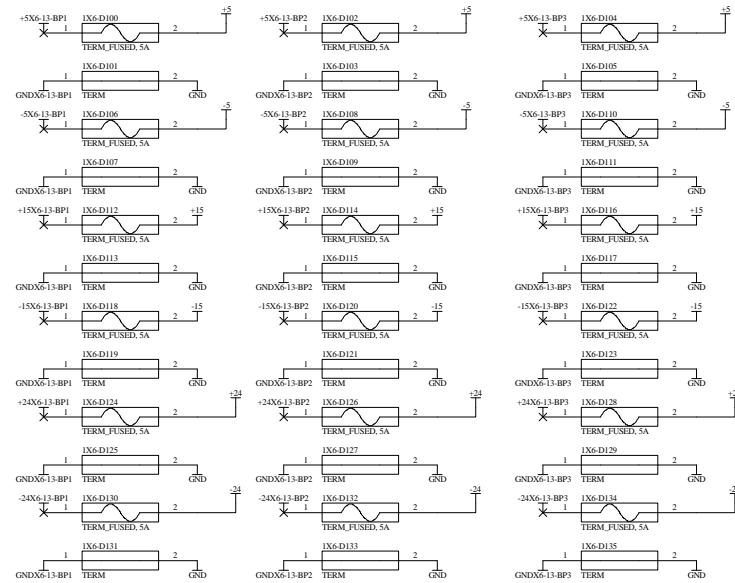
Eurocard Crate Power Connections for Crate 1X20-5

Note:  
Power Connections for Eurocard modules are made through the backplane and are designated as VX6-2-BP1. Bulk power supply connections to the eurocard backplane lugs are designated V in Rack 1X6-2.



Eurocard Crate Power Connections for Crate 1X20-22

Note:  
Power Connections for Eurocard modules are made through the backplane and are designated as VX6-13-BP1. Bulk power supply connections to the eurocard backplane lugs are designated V in Rack 1X6-13.



Rev	Description of Change	Date
00	Preliminary Fab Release	2/01
01	Move MMT3 outputs to SOS FE crate 1. Change cables CAB_1X7_23 to 1X7_27 to 1X6_93 to 1X6_97	4/01
02	As built changes to FE XY220 wiring on sheet 7. H/W channels made to match software.	5/01
03	1. Added Pole/Zero modules to MC mirror paths. 2. Changed MC coil drivers to Rev B model. 3. Added XY220 and 4116 channels for Pole/zero and Rev B coil driver additional controls.	2/02
A	Initial Release: Changes to MMT3 Dewhite Enable connections to FE XY220, Sheet 6 and 7 to match software	3/02
B	Changes to MMT3 Dewhite Enable connections to FE XY220, Sheet 6 and 7 to match software	6/02
C	Changes to MC2 wiring to add new FE crate for LOS type output needed by Common Mode addition to system.	7/02



Title		<i>LHO 4K SOS Controls Wiring</i>		LIGO Laboratory California Institute of Technology Massachusetts Institute of Technology		LIGO	
Size: B	DCC Number: D010038	SCH / PCB Revision: C	Engineer: J. Heefner	Date: 17-Jul-2002	Time: 16:41:03		
File: E:\head\ligo\users\jay\wa4kSOS\RevC\wa4kSOSRevC.Prj				Sheet 0 of 10			