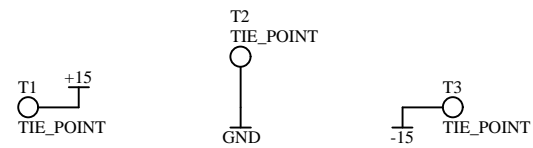
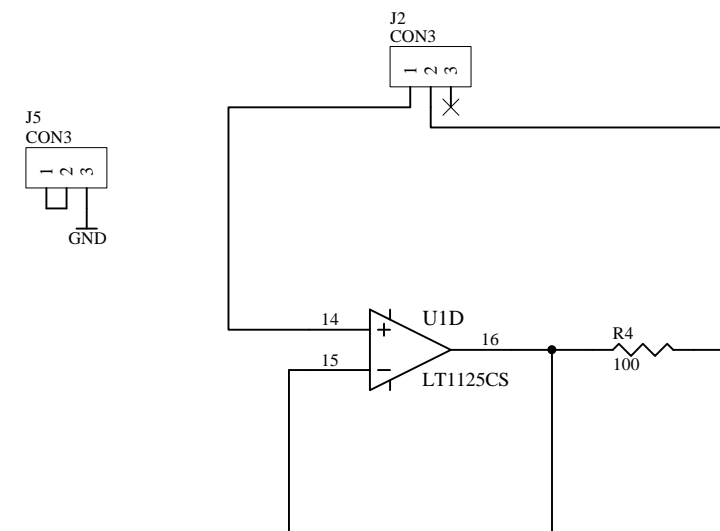
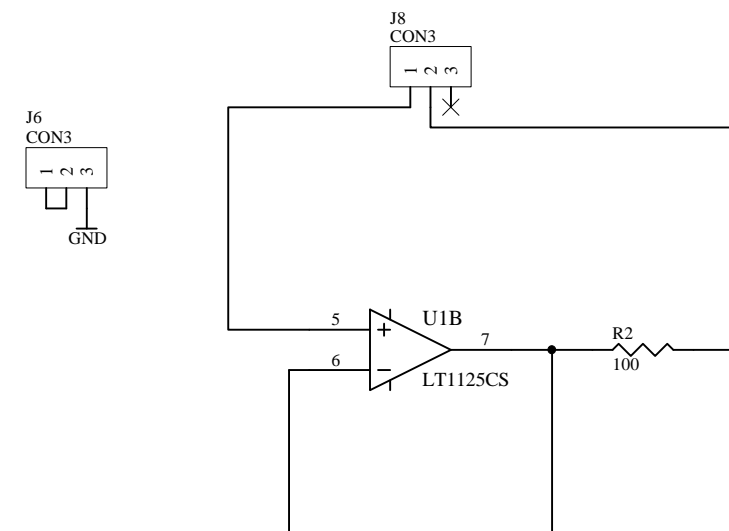
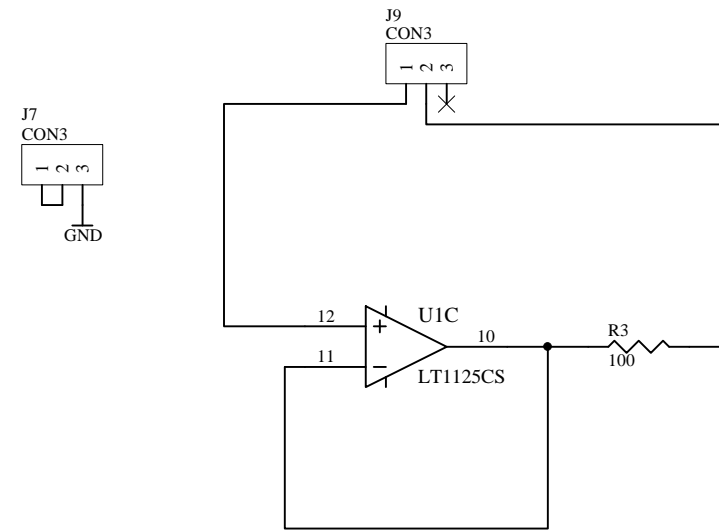
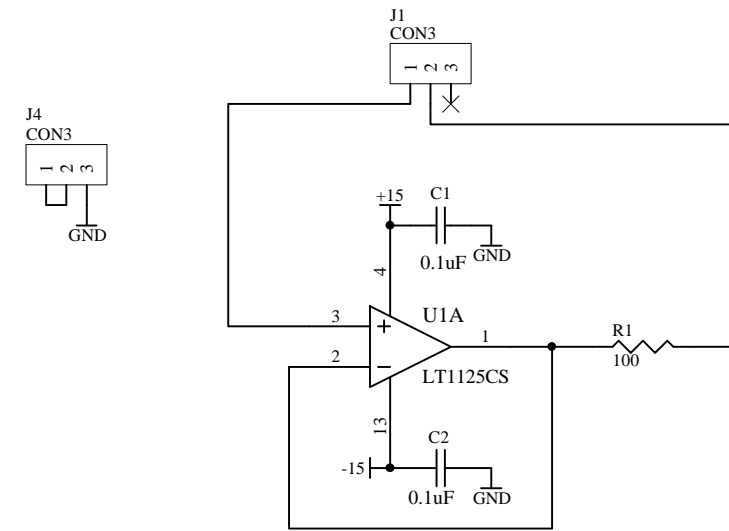


**Note: This Board is a milled board that mounts to existing Jumpers on D000183, Rev A1**



Title		LIGO Laboratory Massachusetts Institute of Technology		LIGO
<b>Universal Dewhiting Board Rev A1 Upgrade Board</b>				
Size: B	DCC Number: D010047	SCH / PCB Revision: 00	Engineer: J. Heefner	Date: 7-Feb-2001
File: K:\hcad\ligo\users\jay\UnivDewhite\RevA\RevA1UpgradeBoard\UnivDewhiteRevA1Upgrade.Sch				Time: 12:45:06
				Sheet 1 of 1