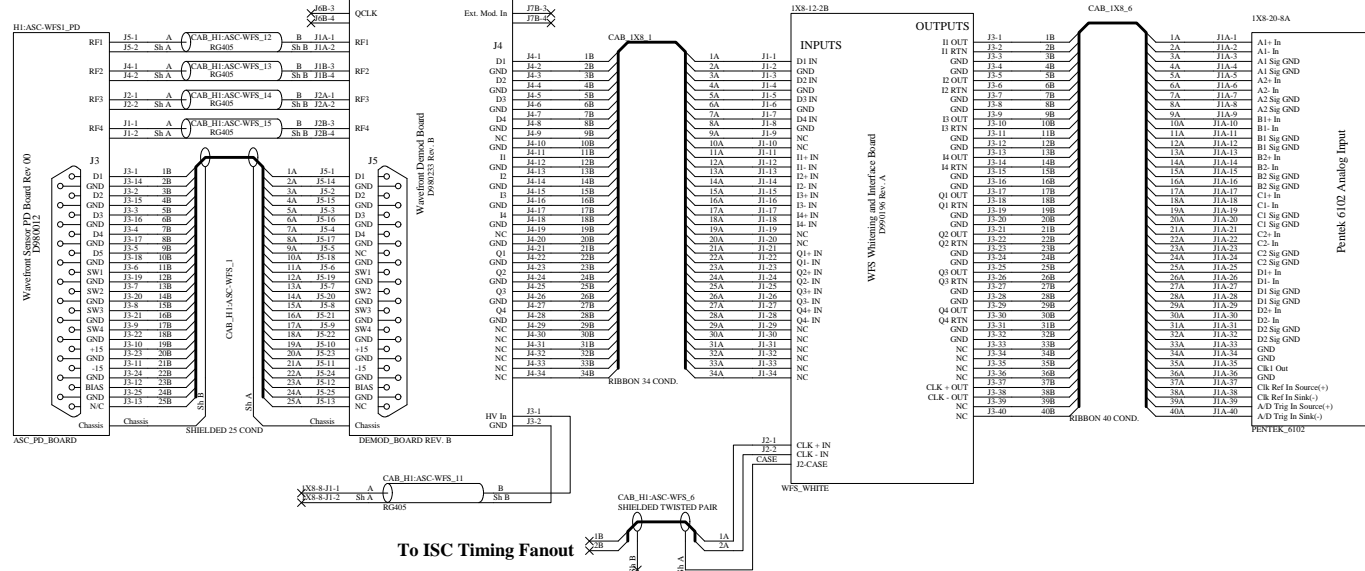
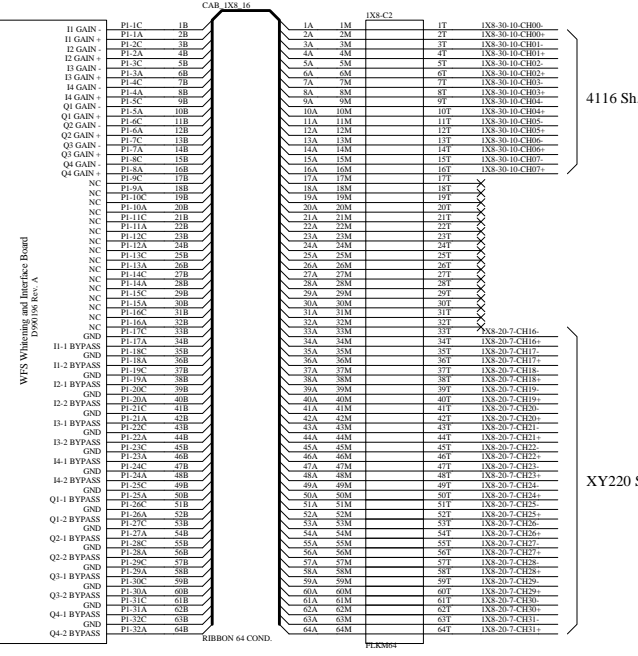
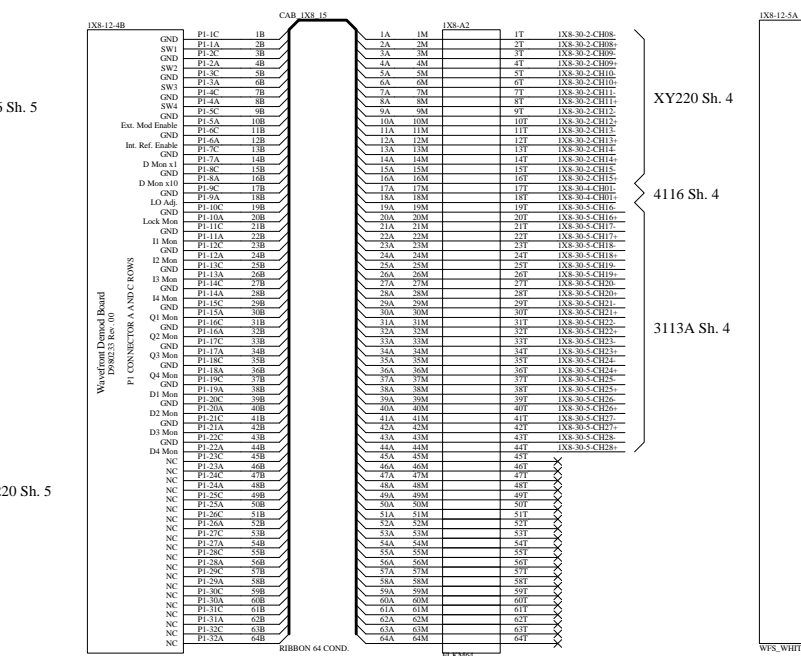
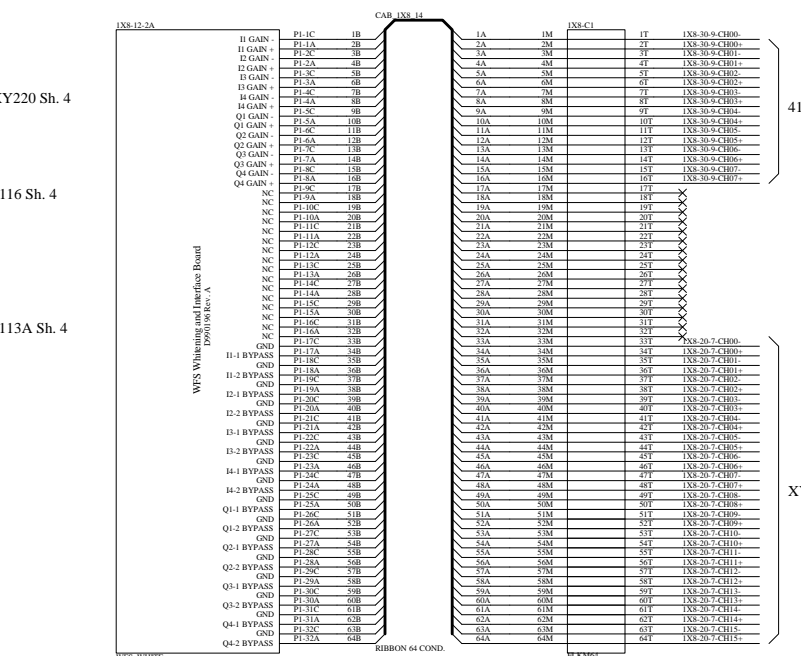
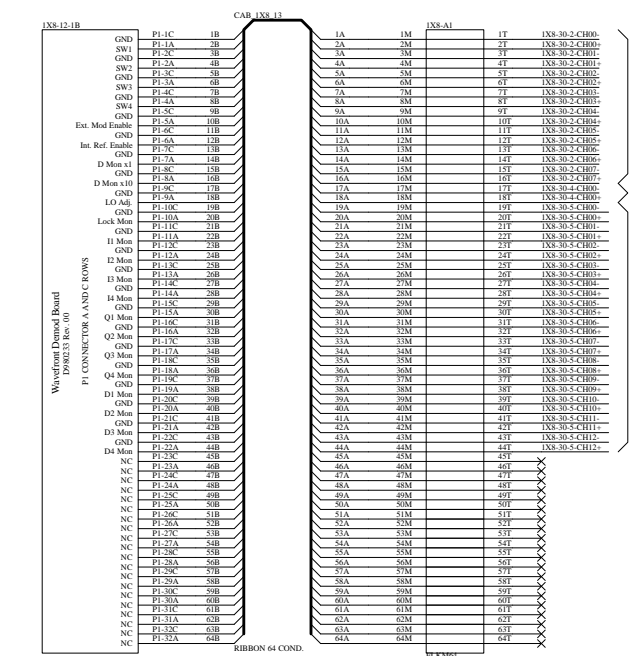
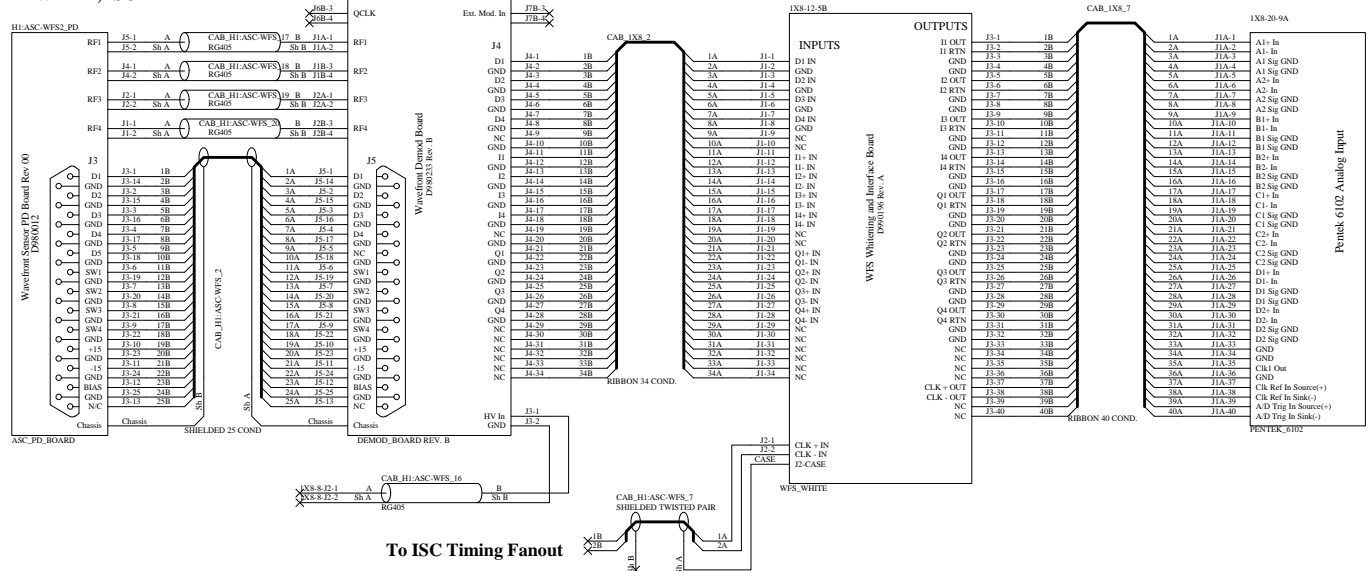


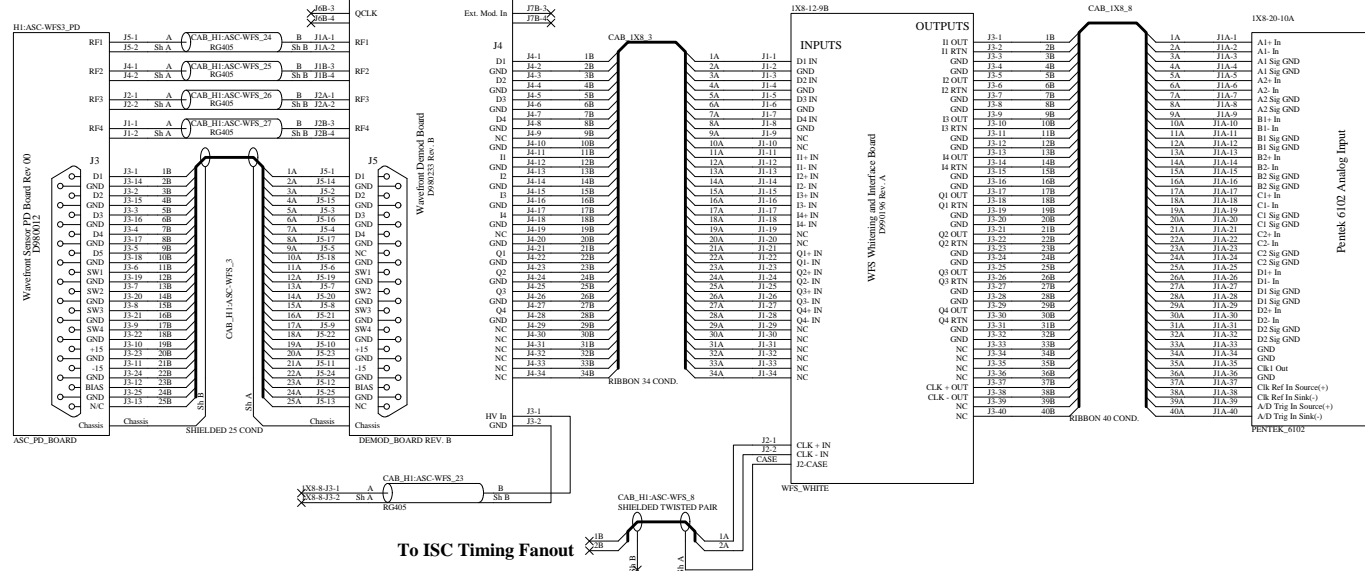
**WFS 1
24.5 MHz, ISCT4**



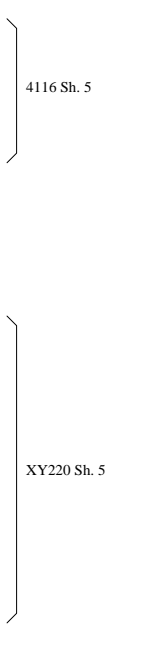
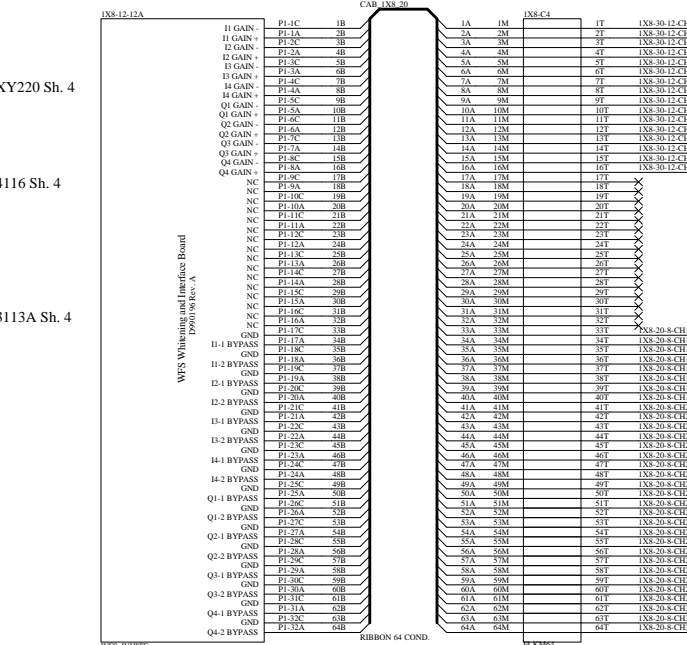
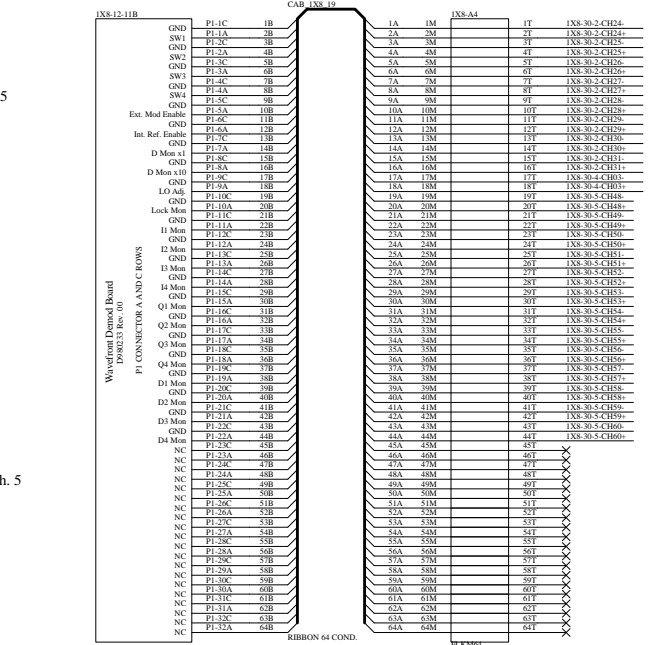
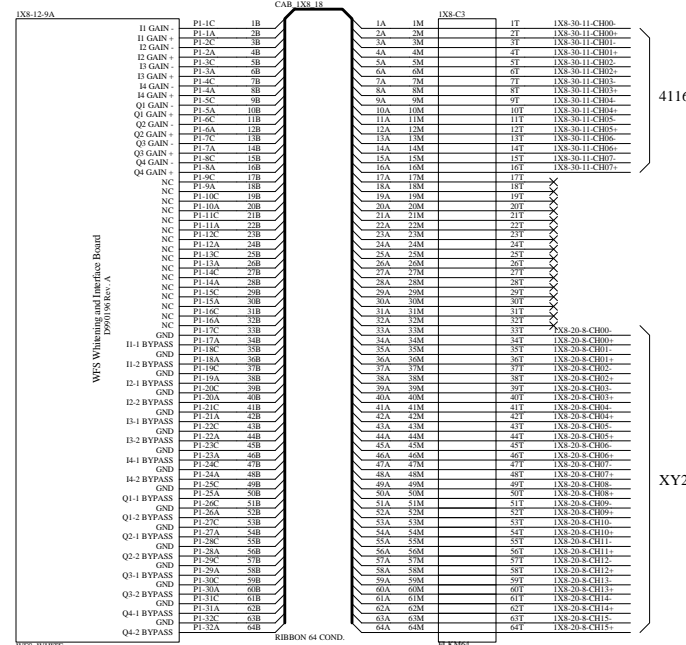
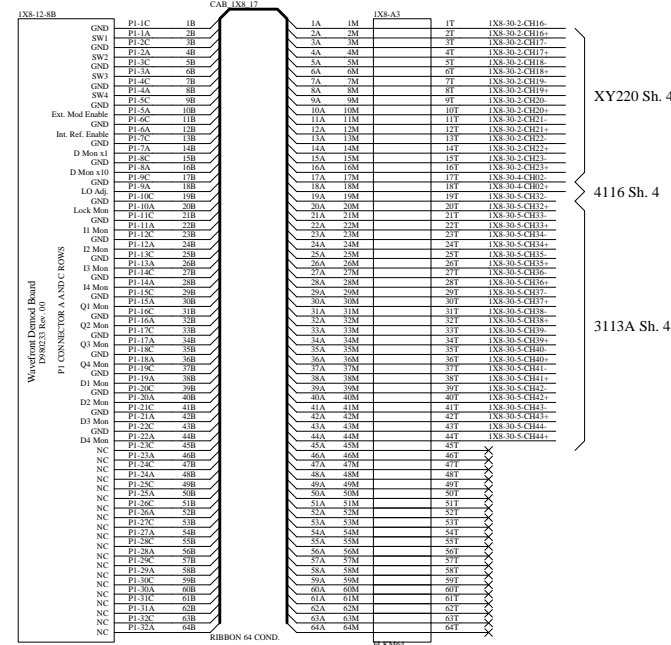
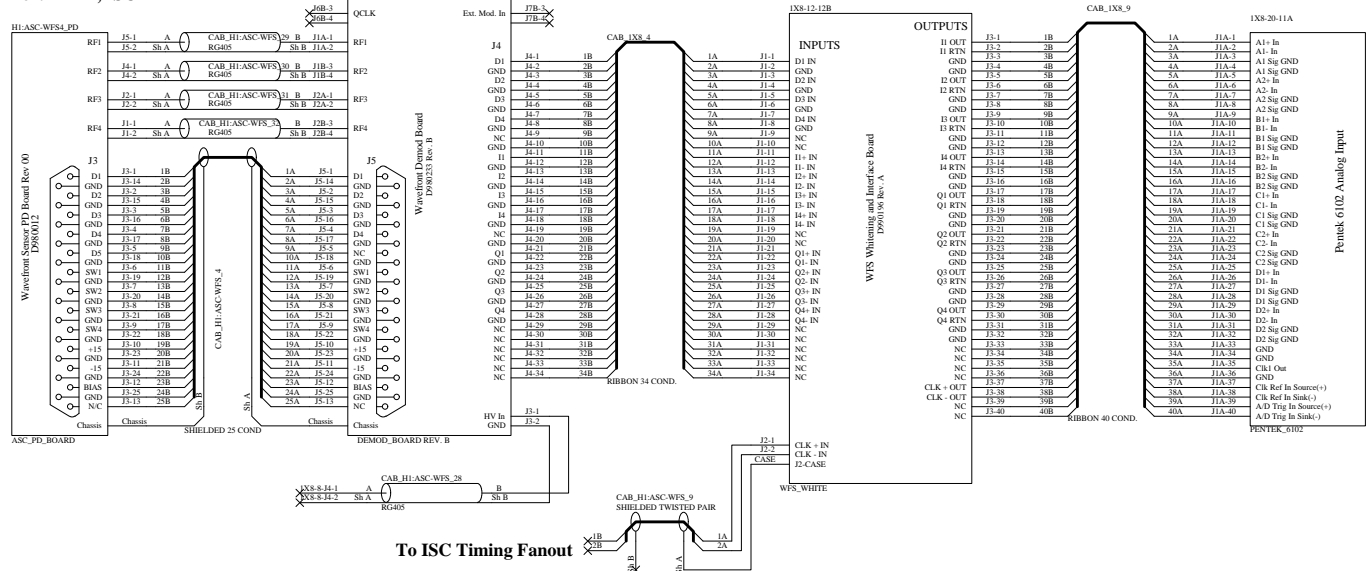
**WFS 2
24.5 MHz, ISCT1**



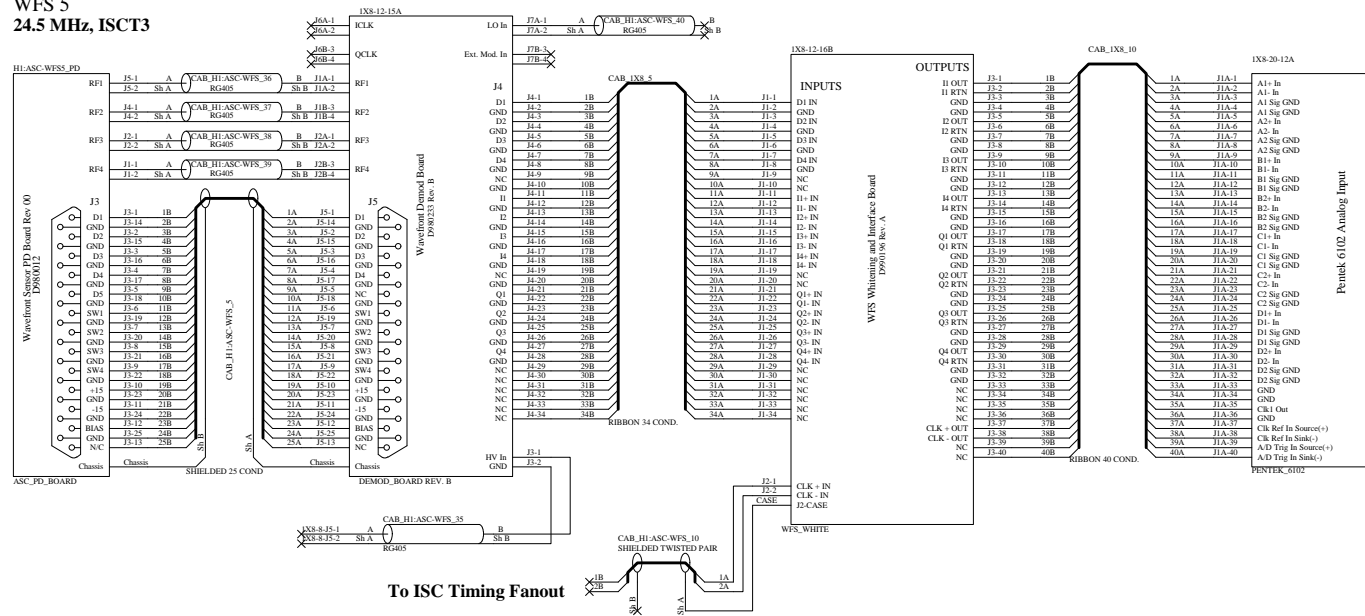
WFS 3
61.2 MHz, ISCT1



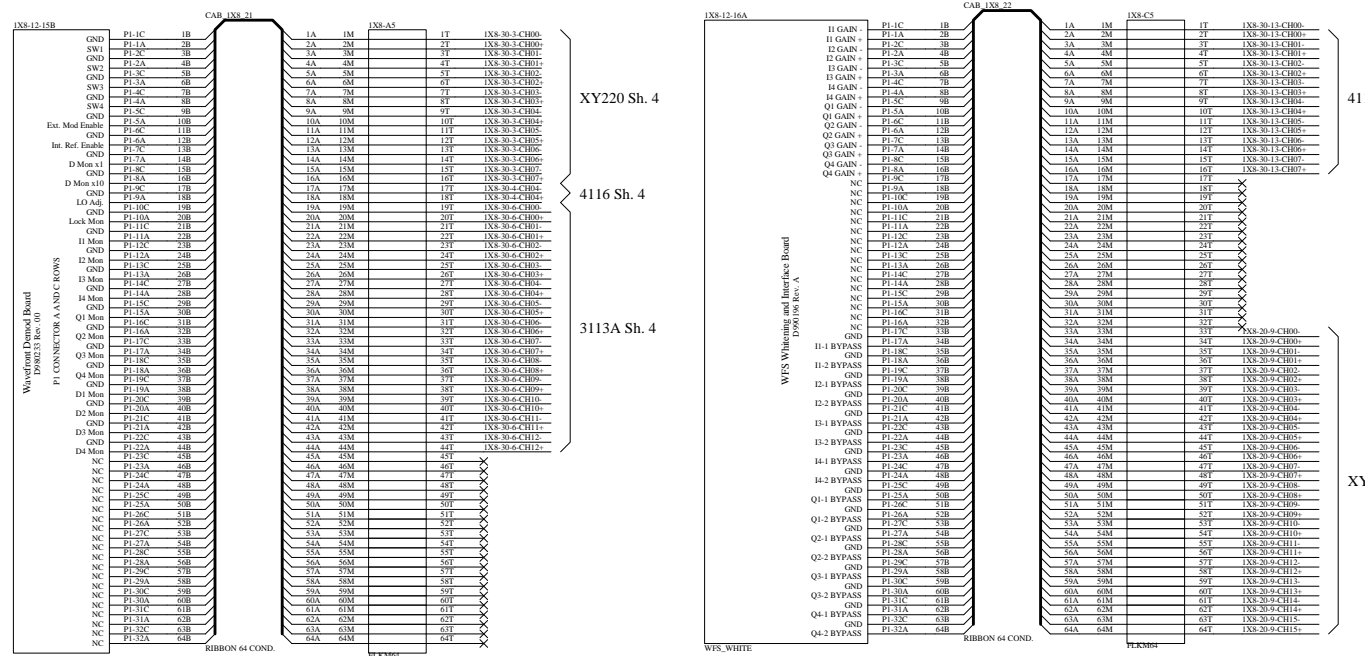
WFS 4
61.2 MHz, ISCT1



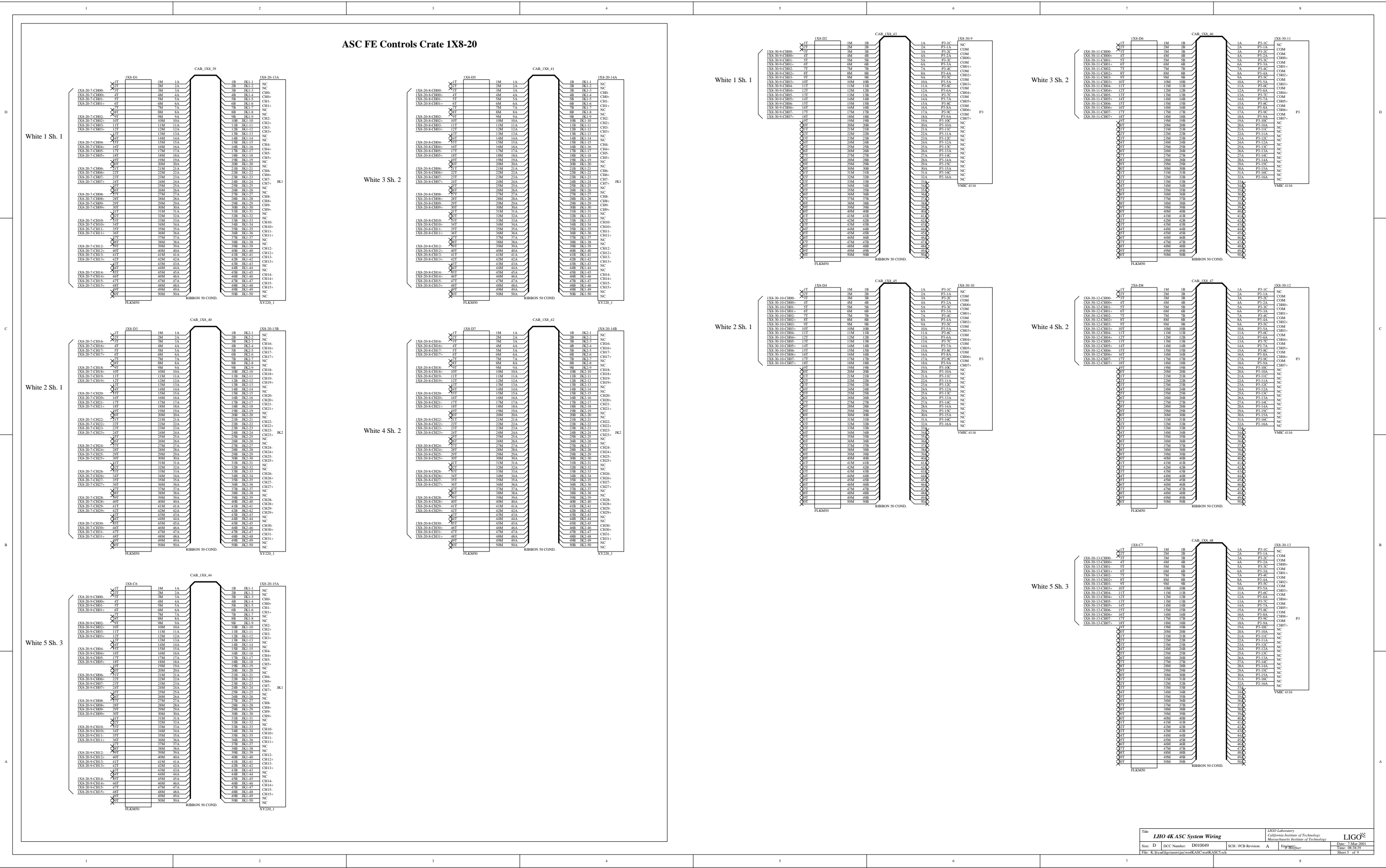
**WFS 5
24.5 MHz, ISCT3**



To ISCT Timing Fanout

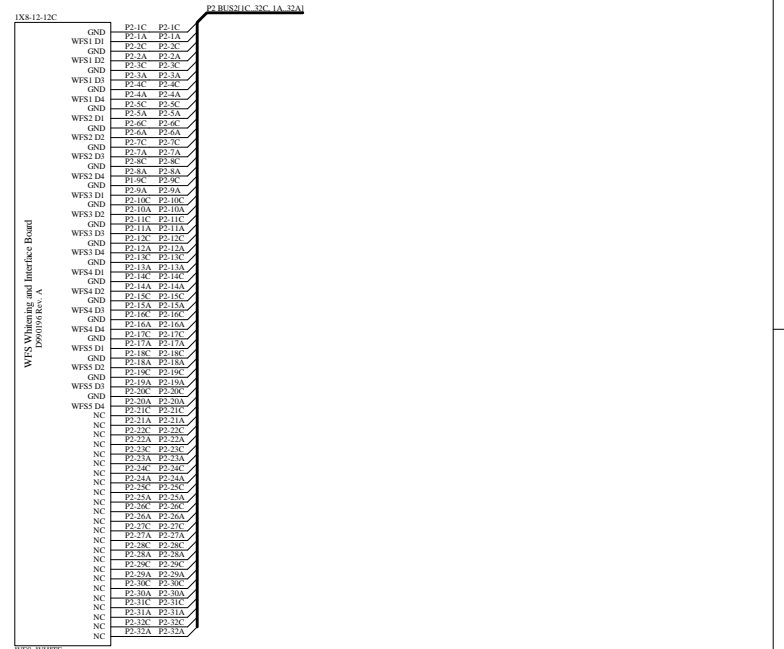
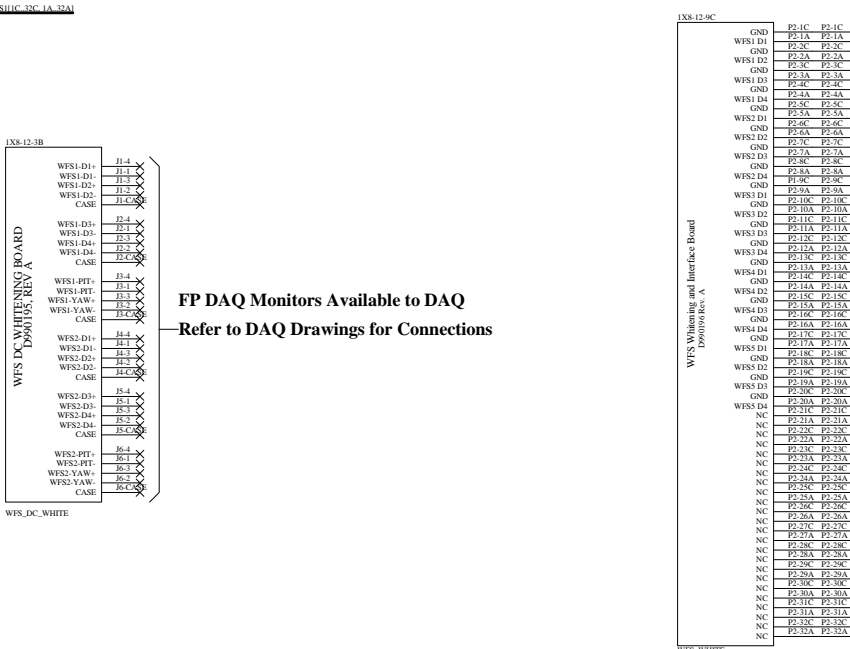
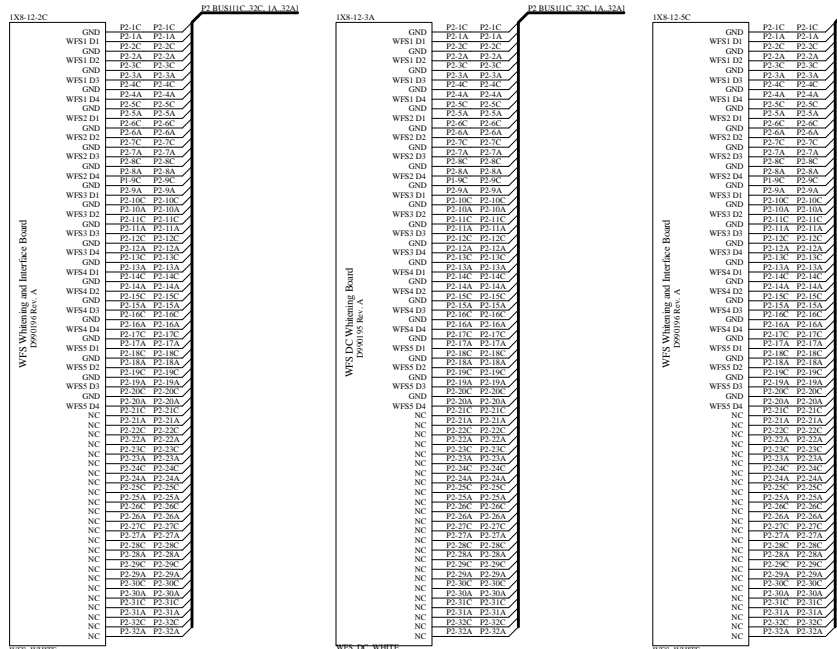


ASC FE Controls Crate 1X8-20



WFS 1 and 2 DAQ Connections for DC Signals

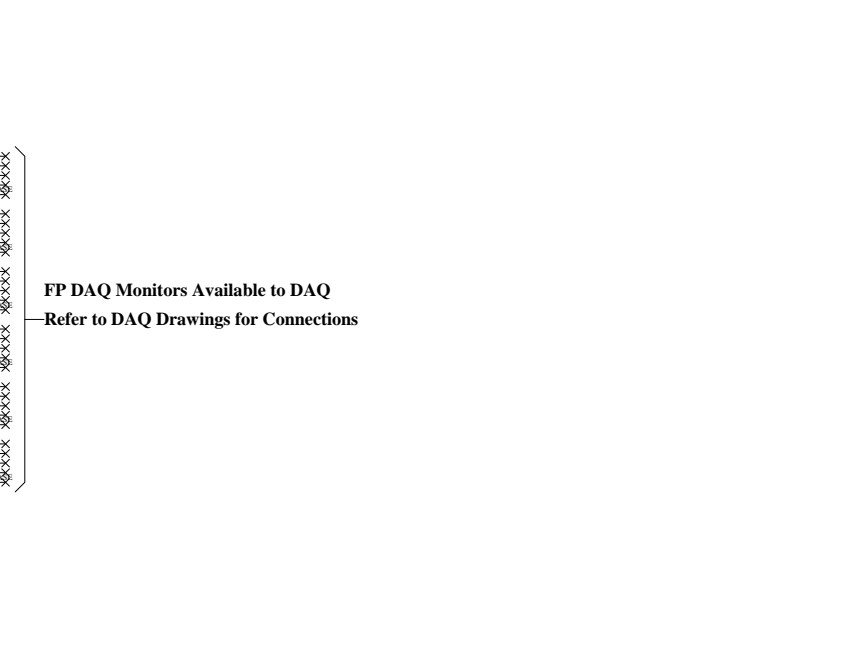
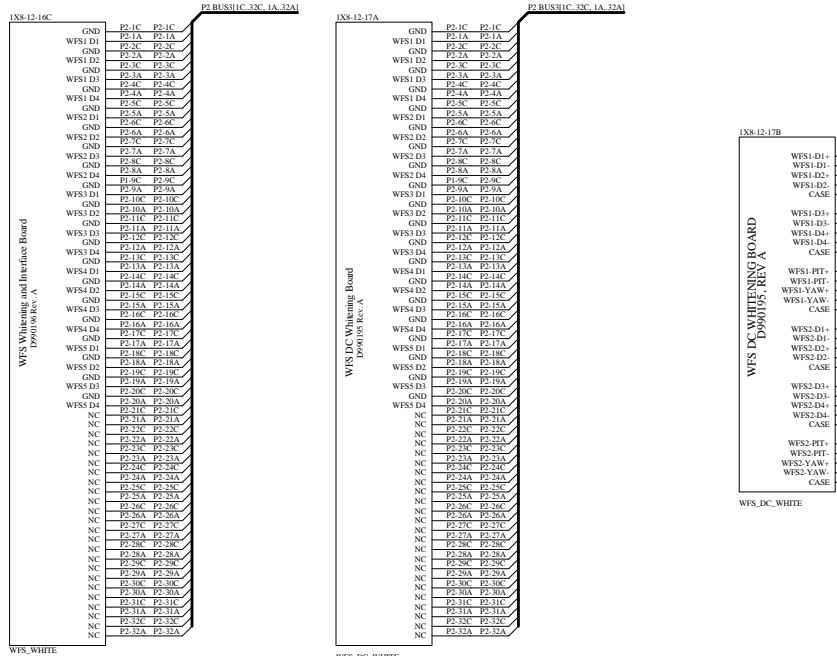
WFS 3 and 4 DAQ Connections for DC Signals



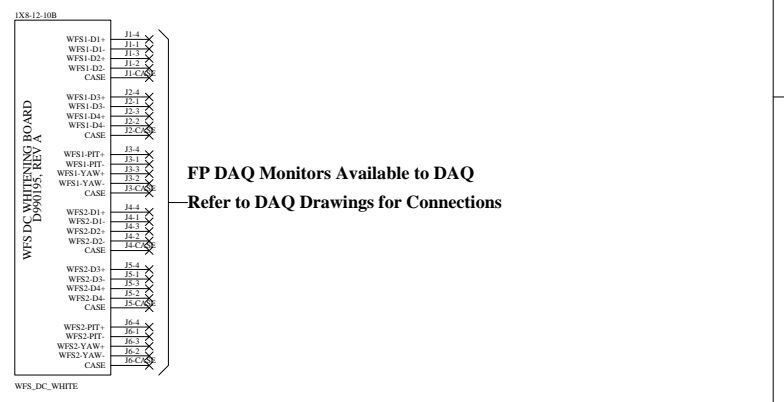
FP DAQ Monitors Available to DAQ
Refer to DAQ Drawings for Connections

FP DAQ Monitors Available to DAQ
Refer to DAQ Drawings for Connections

WFS 5 DAQ Connections for DC Signals



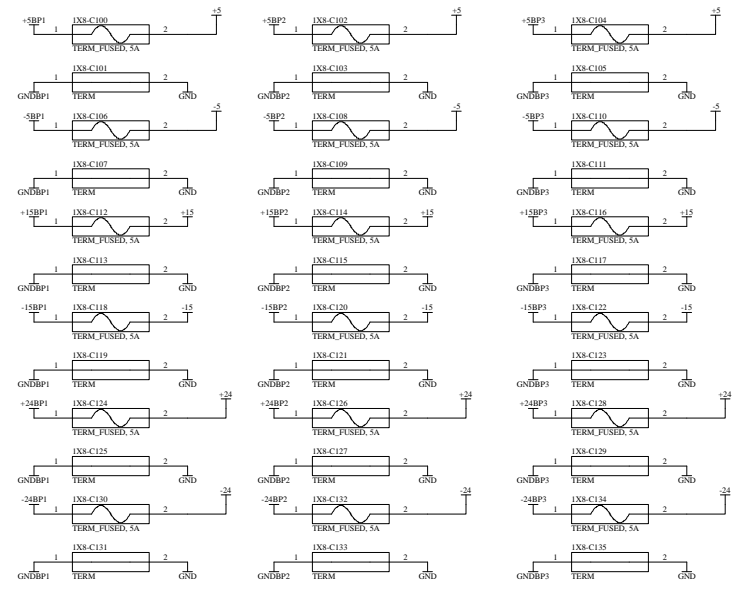
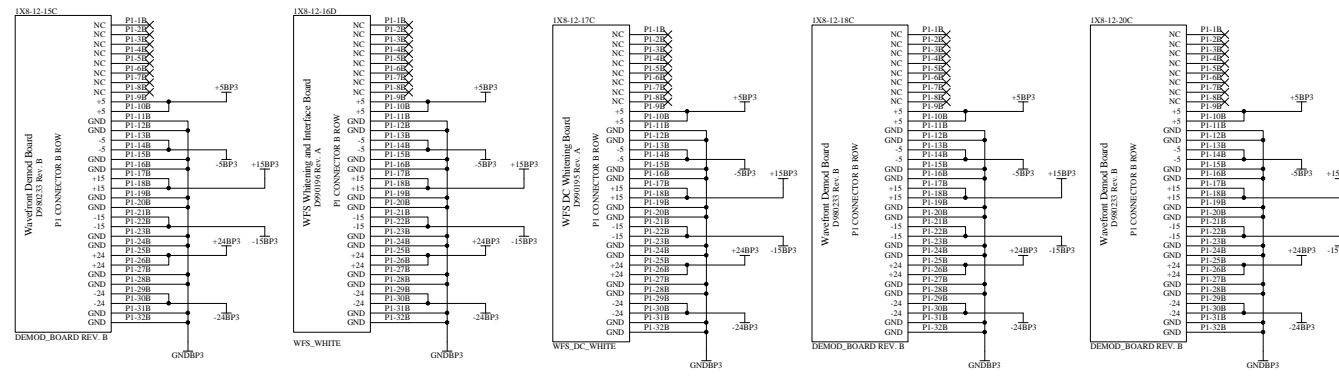
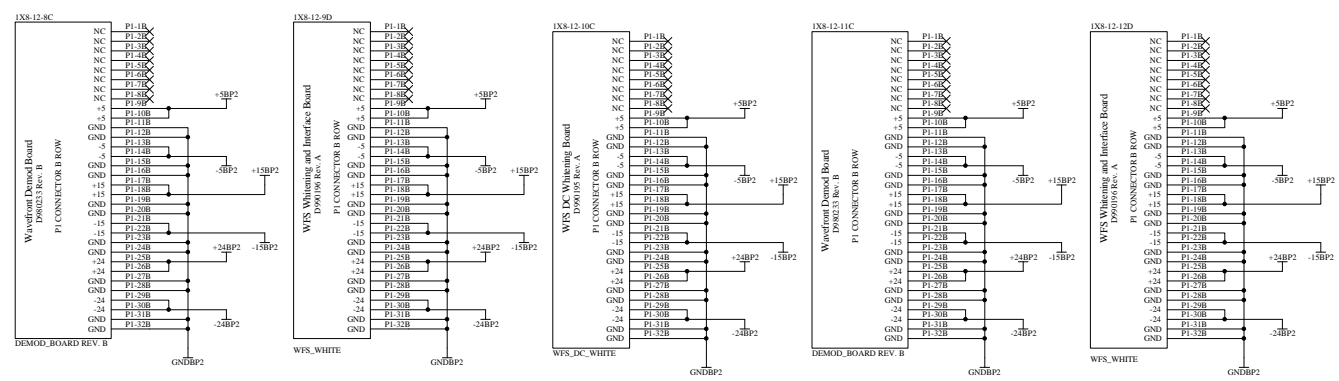
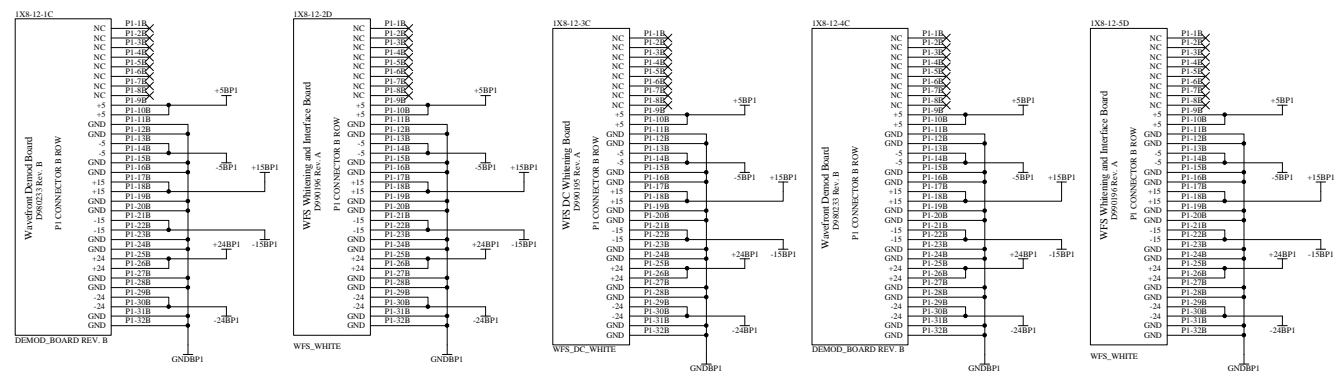
FP DAQ Monitors Available to DAQ
Refer to DAQ Drawings for Connections



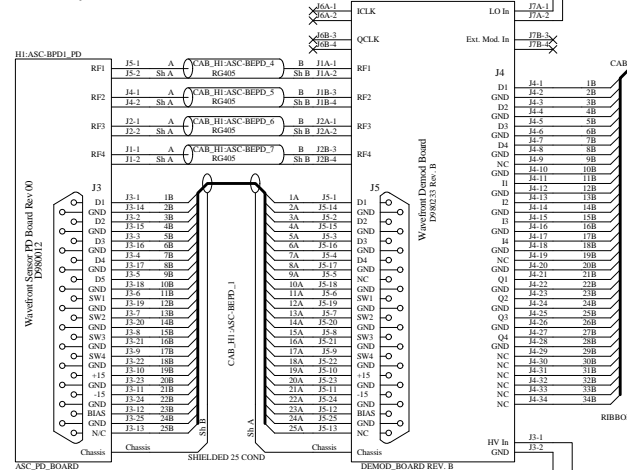
FP DAQ Monitors Available to DAQ
Refer to DAQ Drawings for Connections

Note:
1. There are actually 3 P2 bus connections. One for WFS 1&2 connections, one for WFS 3&4 connections and one for WFS 5 connections.

Note:
Power Connections for Eurocard modules are made through the backplane and are designated as XXBP1. Bulk power supply connections to the eurocard backplane lugs are designated +XX.



Bull's Eye Detector 1



Bull's Eye Detector 2

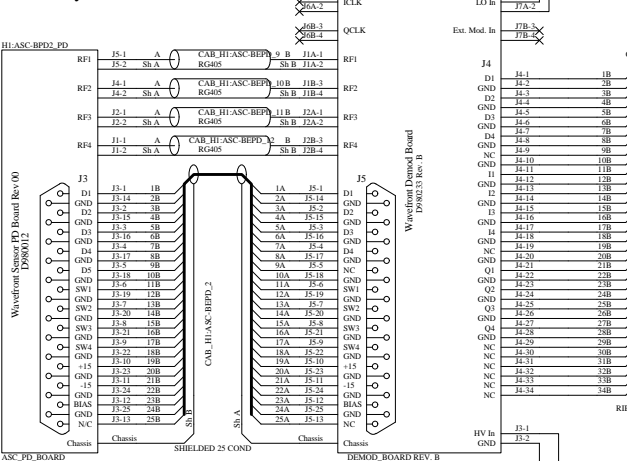
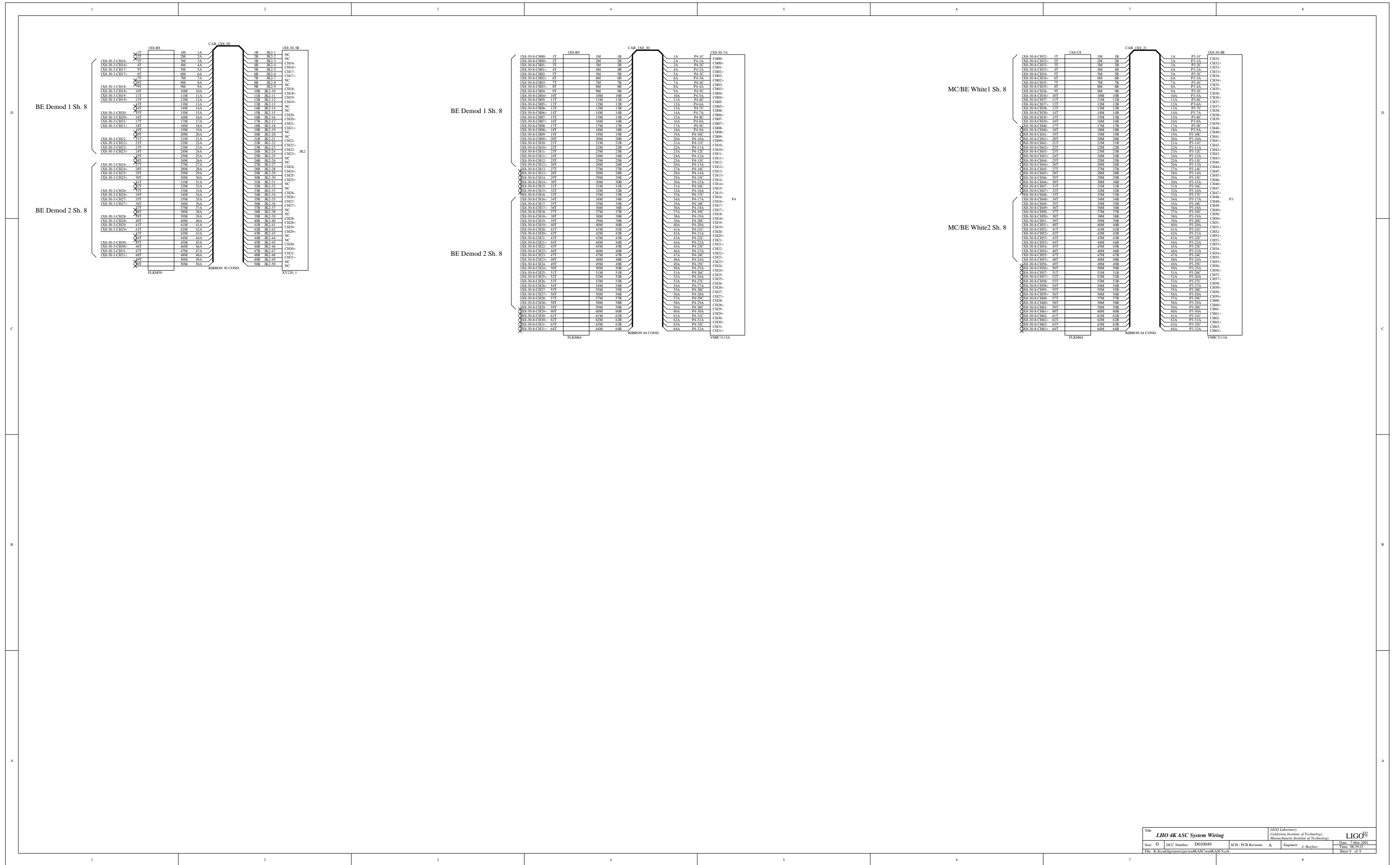


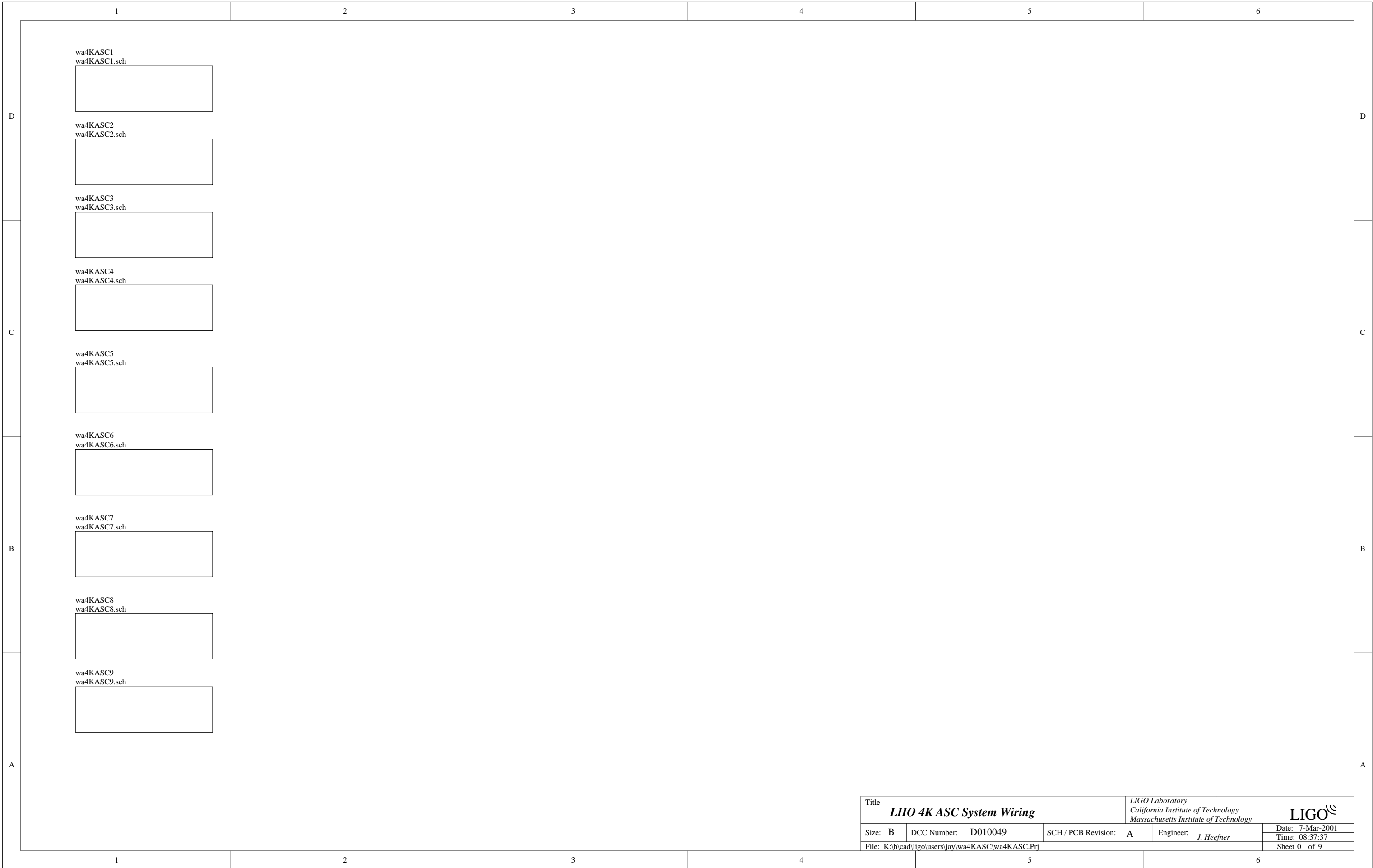
Table with 4 columns: Connector, Pin, Pin, Pin. Lists connections for CAB IXS 26, including pins like 1A, 1M, 1T, 1X, 1Y, 1Z, 2A, 2M, 2T, 2X, 2Y, 2Z, etc.

Table with 4 columns: Connector, Pin, Pin, Pin. Lists connections for CAB IXS 27, including pins like 1A, 1M, 1T, 1X, 1Y, 1Z, 2A, 2M, 2T, 2X, 2Y, 2Z, etc.

Table with 4 columns: Connector, Pin, Pin, Pin. Lists connections for CAB IXS 29, including pins like 1A, 1M, 1T, 1X, 1Y, 1Z, 2A, 2M, 2T, 2X, 2Y, 2Z, etc.

Table with 4 columns: Connector, Pin, Pin, Pin. Lists connections for CAB IXS 28, including pins like 1A, 1M, 1T, 1X, 1Y, 1Z, 2A, 2M, 2T, 2X, 2Y, 2Z, etc.





wa4KASC1
wa4KASC1.sch

wa4KASC2
wa4KASC2.sch

wa4KASC3
wa4KASC3.sch

wa4KASC4
wa4KASC4.sch

wa4KASC5
wa4KASC5.sch

wa4KASC6
wa4KASC6.sch

wa4KASC7
wa4KASC7.sch

wa4KASC8
wa4KASC8.sch

wa4KASC9
wa4KASC9.sch

Title		LHO 4K ASC System Wiring		LIGO Laboratory California Institute of Technology Massachusetts Institute of Technology		LIGO	
Size: B	DCC Number: D010049	SCH / PCB Revision: A	Engineer: J. Heefner	Date: 7-Mar-2001	Time: 08:37:37		
File: K:\hcad\ligo\users\jay\wa4KASC\wa4KASC.Prj				Sheet 0 of 9			