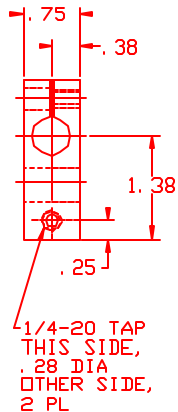
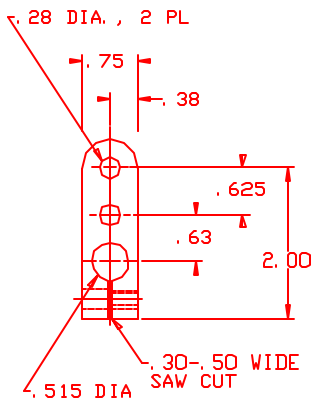


-3 CROSS CLAMP

MAT'L: 304 STAINLESS  
12 REQ'D.

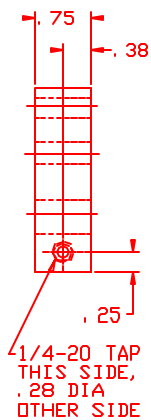


1/4-20 TAP  
THIS SIDE,  
.28 DIA  
OTHER SIDE,  
2 PL

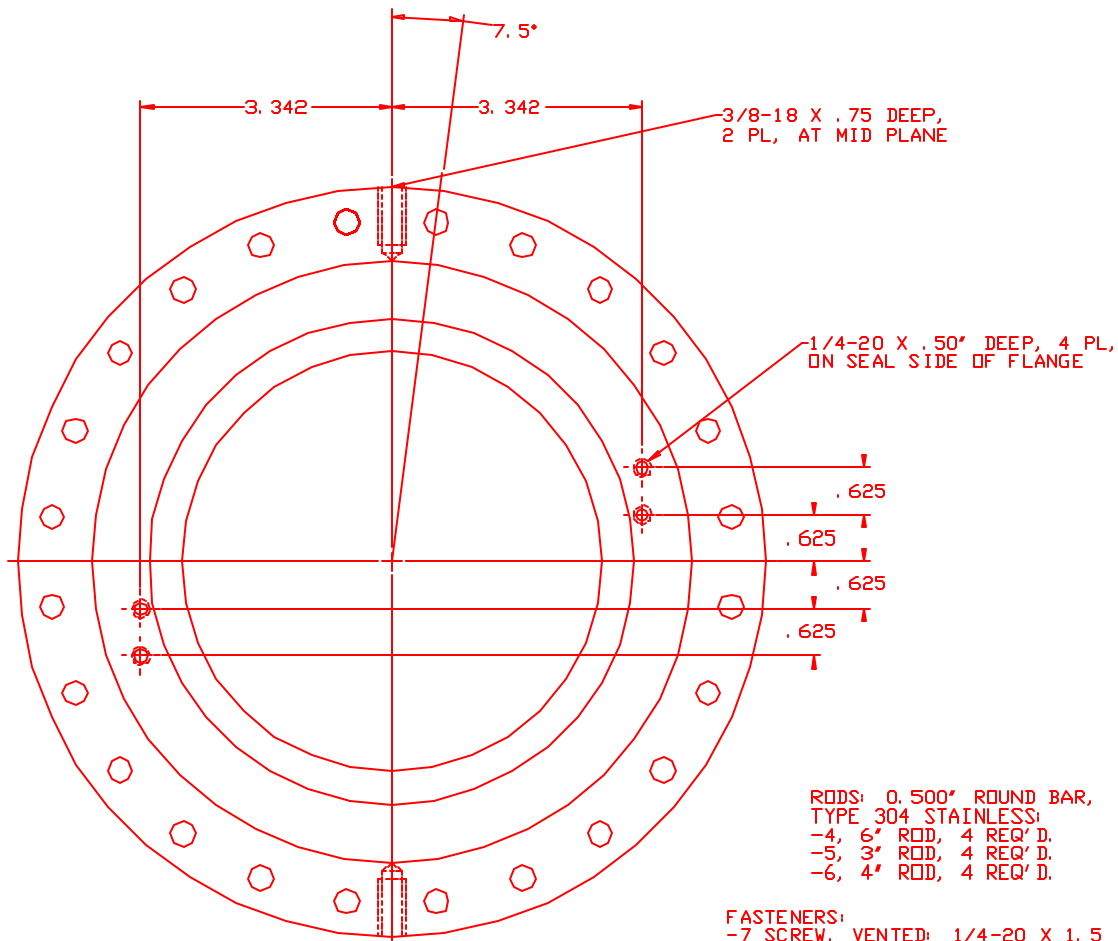


-2 BASE CLAMP

MAT'L: 304 STAINLESS  
4 REQ'D.



1/4-20 TAP  
THIS SIDE,  
.28 DIA  
OTHER SIDE



-1 CUSTOM VIEWPORT

USE NOR-CAL ZV-800,  
MODIFIED AS SHOWN ABOVE  
2 REQ'D.

RODS: 0.500" ROUND BAR,  
TYPE 304 STAINLESS:  
-4, 6" ROD, 4 REQ'D.  
-5, 3" ROD, 4 REQ'D.  
-6, 4" ROD, 4 REQ'D.

FASTENERS:  
-7 SCREW, VENTED, 1/4-20 X 1.5  
SHCS, SILVER PLATED, VENTED,  
18-8, U-C #C-2024-A, 8 REQ'D.  
-8 SCREW, 1/4-20 X .75  
SHCS, SILVER PLATED,  
18-8, U-C #C-2012-NA, 28 REQ'D.  
-9 WASHER, .500" OD X .265" ID,  
30X STAINLESS, MCMaster-CARR  
#98017A660, 36 REQ'D.

TOLERANCES: X.XXX: +/- 0.005"  
X.XX: +/- 0.03"  
X.X: +/- 0.1"

DO10059-A-R  
HARDWARE FOR CAMERA OPTICS  
40 M LABORATORY  
L. JONES 4/6/01