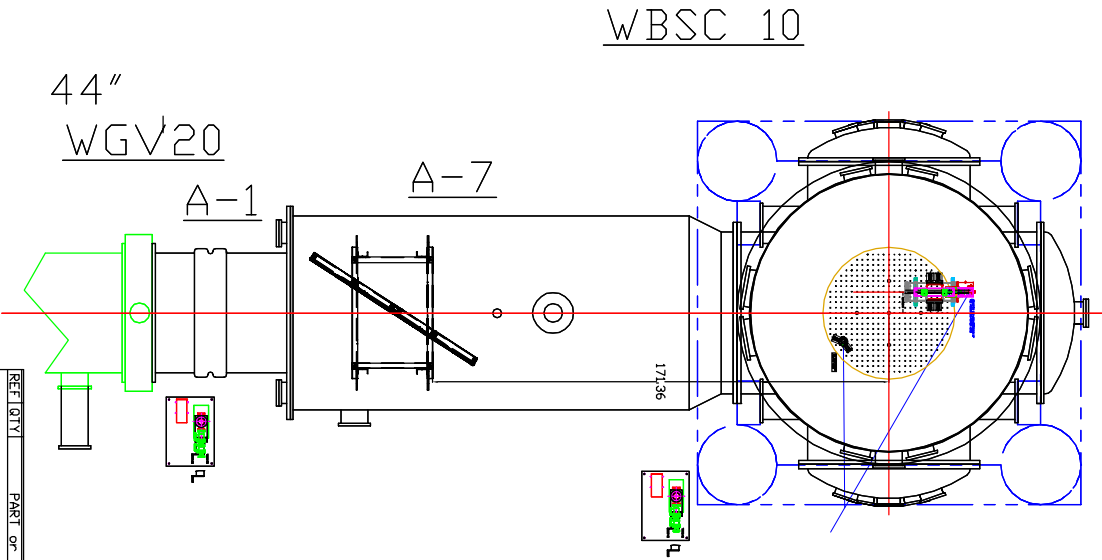


NOTES: (UNLESS OTHERWISE SPECIFIED)



WBSC 10

44"
WGV20

A-1

A-7

A-11

17136

REF. QTY	PART OR DRWG NO.	DESCRIPTION	MATERIAL

UNLESS OTHERWISE SPECIFIED
DIMENSIONS ARE IN FEET (IN)

TOLERANCES:
DIMENSIONS: 1/16
HOLE DIA: .0015 ADD
TYP PLACE DECIMAL: .01
MATERIAL: XXXX
HEAT TREAT: XXXX
FINISH: XXXX

THREE PLACE DECIMAL: .005
FINISHED SURFACE PER 63
UNFINISHED SURFACE PER 100
REMOVE ALL BURS

XXX	DESCRIPTION	USED ON XXX	NEXT ASSY: XXX	REV	PRE-RELEASE DESCRIPTION	ISSUE DESCRIPTION	DCN NUMBER	APPROV CHECK	DRWN	DATE	SCALE	CAD FILE	SIZE	DRG. NO.	SHEET
XXX	DESCRIPTION	USED ON XXX	NEXT ASSY: XXX	00	PRE-RELEASE	ISSUE DESCRIPTION	DCN NUMBER	APPROV CHECK	DRWN	DATE	SCALE	CAD FILE	SIZE	DRG. NO.	SHEET
6	REFERENCE DRAWINGS														

WBSC10
CAVITY BAFFLE LOCATION

LIQO CALIFORNIA INSTITUTE OF TECHNOLOGY
MASSACHUSETTS INSTITUTE OF TECHNOLOGY

CAD FILE: 000115-A
SIZE: C
DRG. NO.: D01015-A
SHEET: 1 OF 1