

1

2

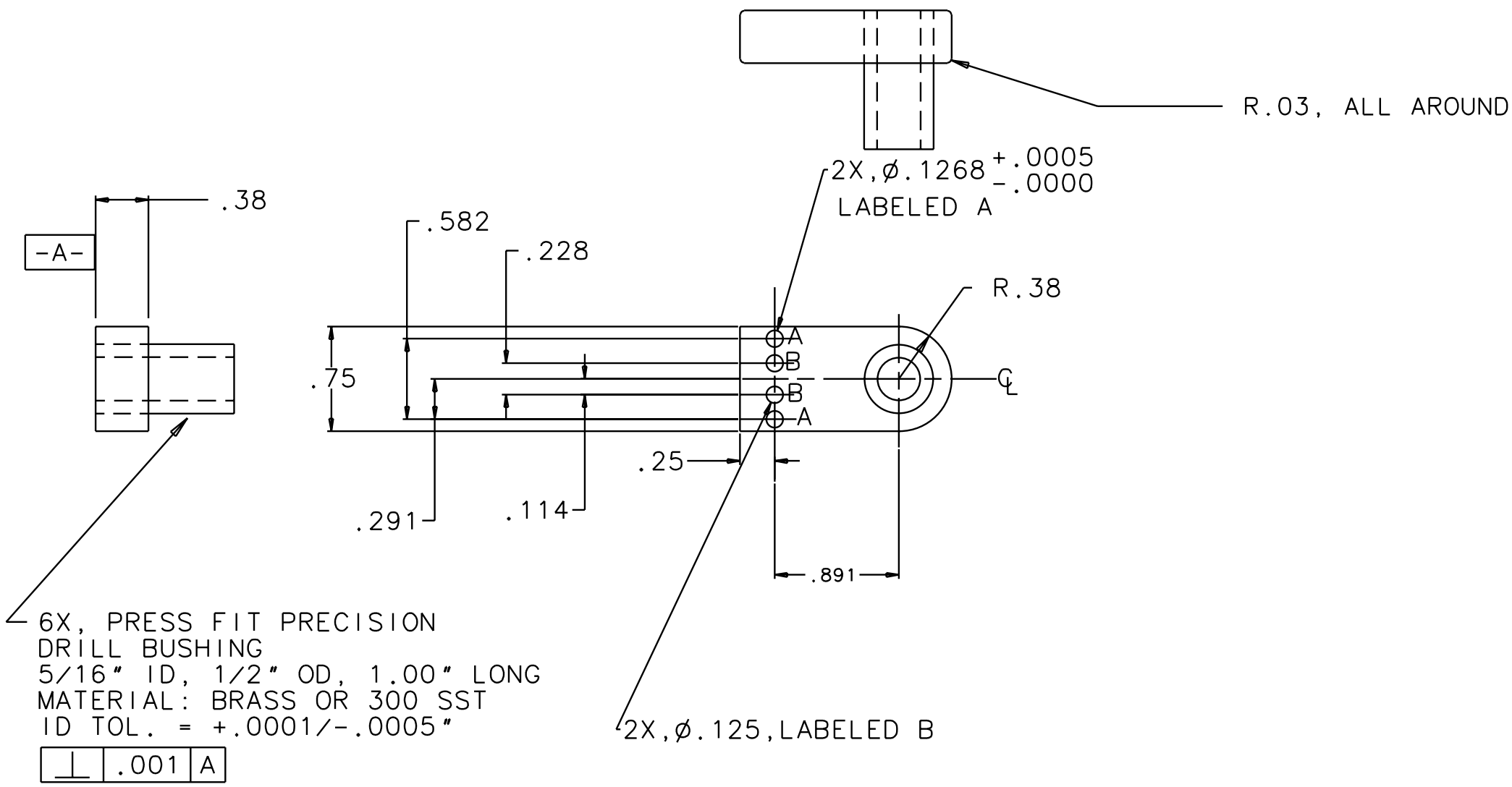
3

4

NOTES: (UNLESS OTHERWISE SPECIFIED)

- 1. DIMENSIONS IN INCHES.
- 2. REMOVE ALL SHARP EDGES.
- 3. ENGRAVE OR ETCH PART WITH DRAWING NUMBER.

REV	DATE	DRAWN BY	CHECKED	DCC	DCN/DESCRIPTION
A	8-15-01	J.Romie			E010154/INITIAL RELEASE



6X, PRESS FIT PRECISION
 DRILL BUSHING
 5/16" ID, 1/2" OD, 1.00" LONG
 MATERIAL: BRASS OR 300 SST
 ID TOL. = +.0001/- .0005"

\perp	.001	A
---------	------	---

QTY REQD	FSCM NO	PART OR IDENTIFYING NO	NOMENCLATURE OR DESCRIPTION	MATERIAL SPECIFICATION	ITEM NO
PARTS LIST					
UNLESS OTHERWISE SPECIFIED DIMENSIONS ARE IN INCHES TOLERANCES ARE:			APPROVALS		DATE
FRACTIONS DECIMALS			DRAWN J. Romie		8/01
0.XX=±0.01			CHECKED		
0.XXX=±0.002					
ANGLES=±0.5°					
DO NOT SCALE DRAWING					
NEXT ASSEMBLY D010131		MATERIAL ALUM 6061-T6	FINISH NONE		
FILE LOCATION /home/dcc/docs/D010129.pdf				SCALE 1/1	SHEET 1 OF 1

LIGO CALIFORNIA INSTITUTE OF TECHNOLOGY
 MASSACHUSETTS INSTITUTE OF TECHNOLOGY
 TITLE RIGHT SIDE BLOCK FOR 40m MCC & MCF2
 DWG NO. D010129-A-D

1

2

3

4