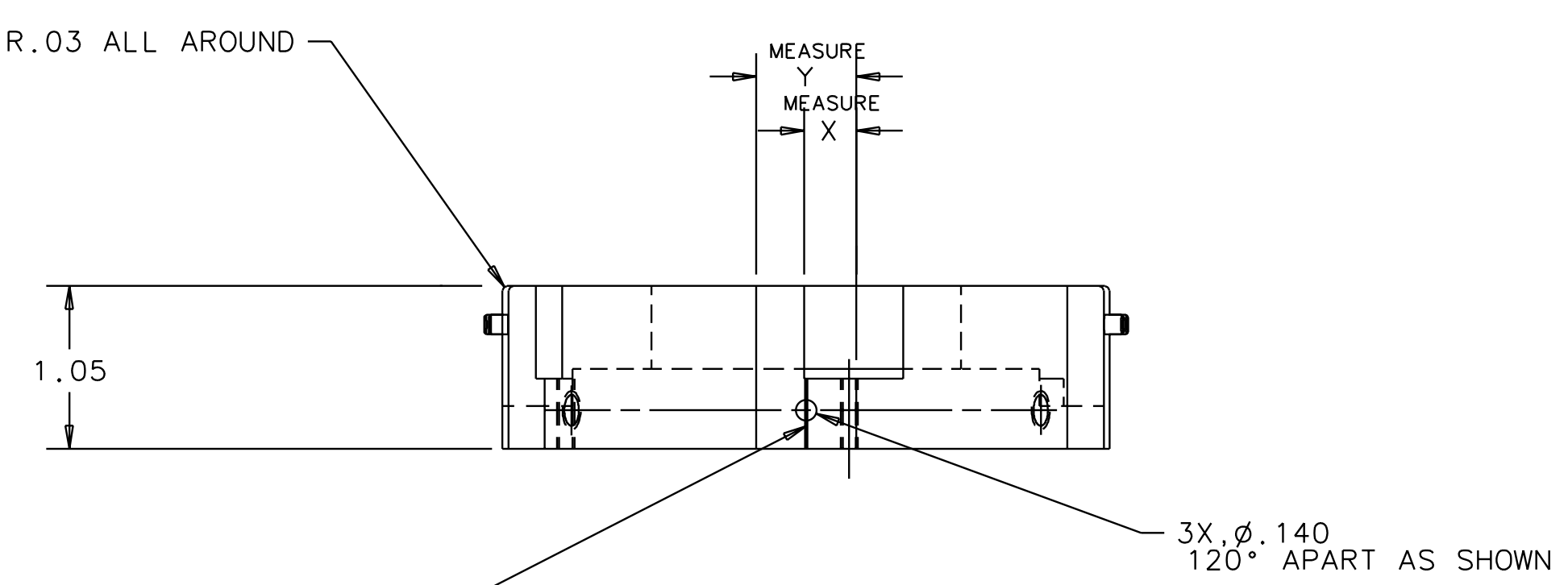
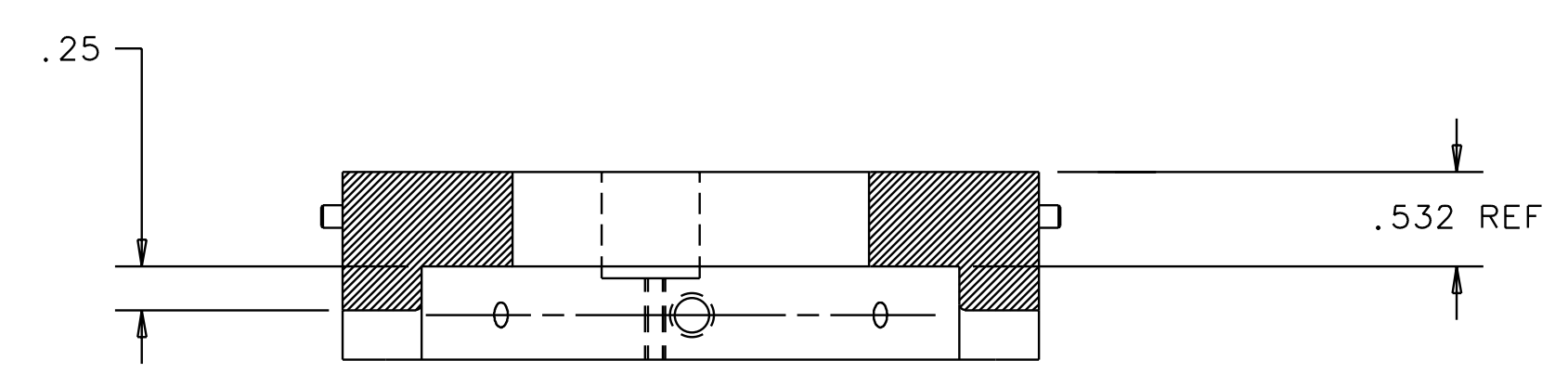
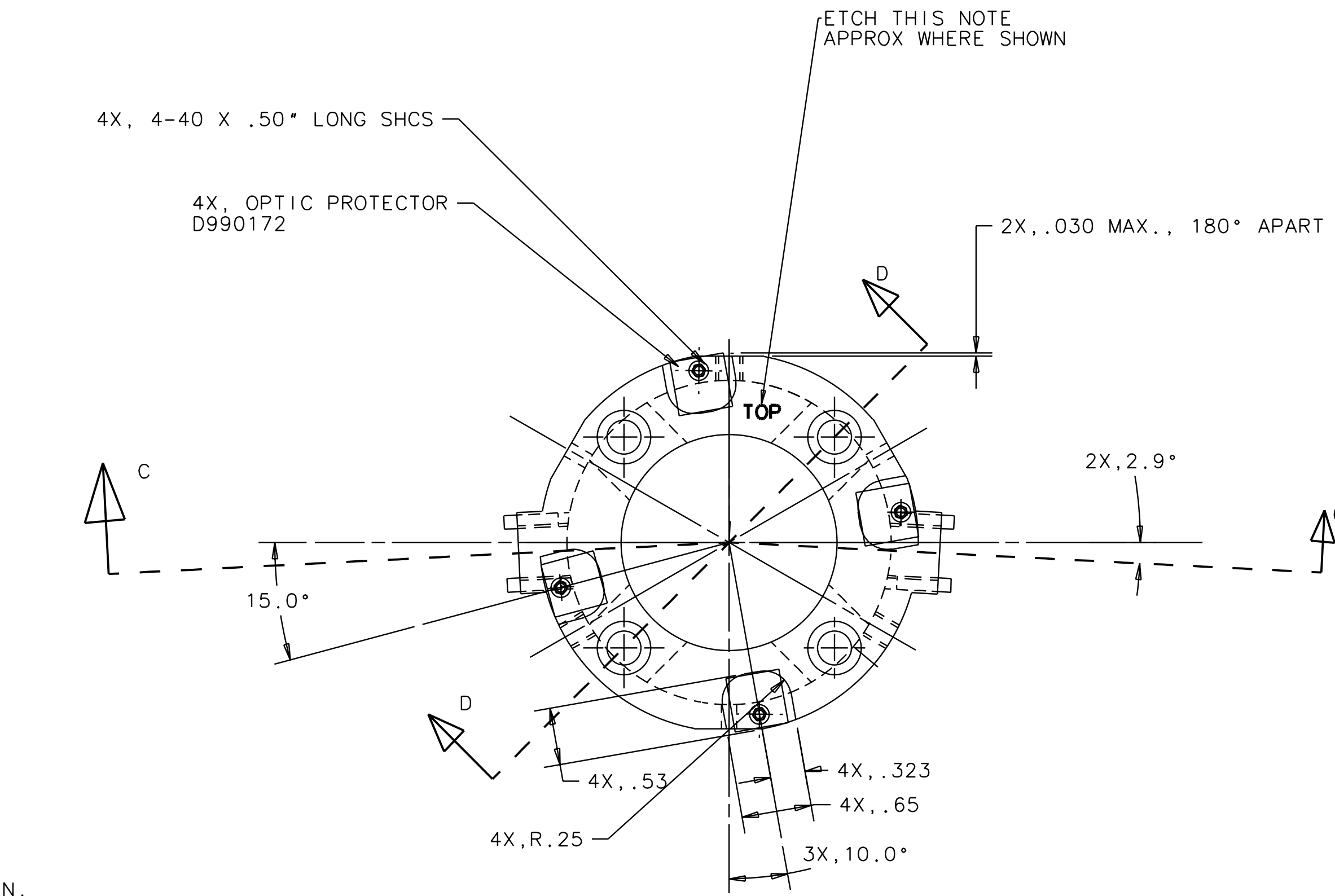
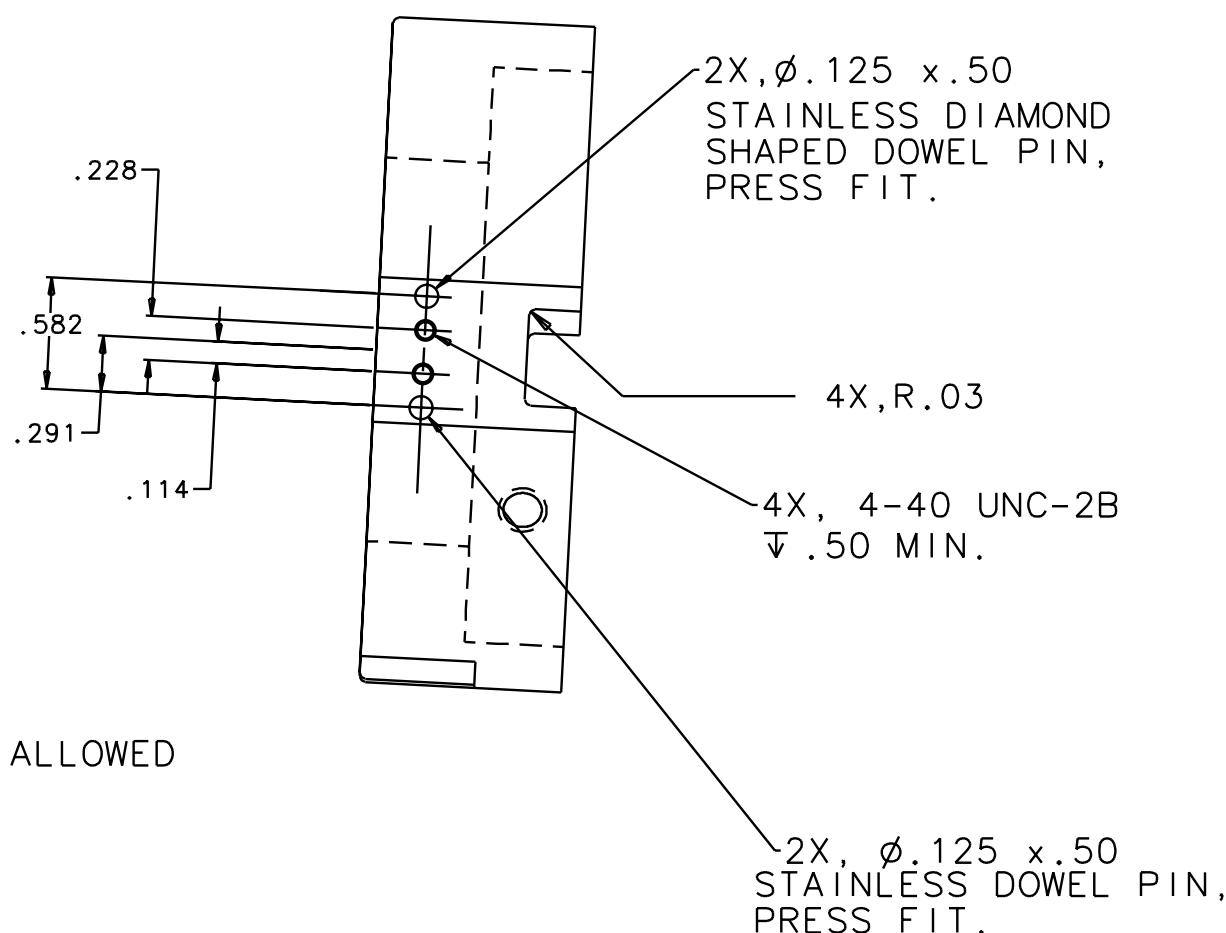
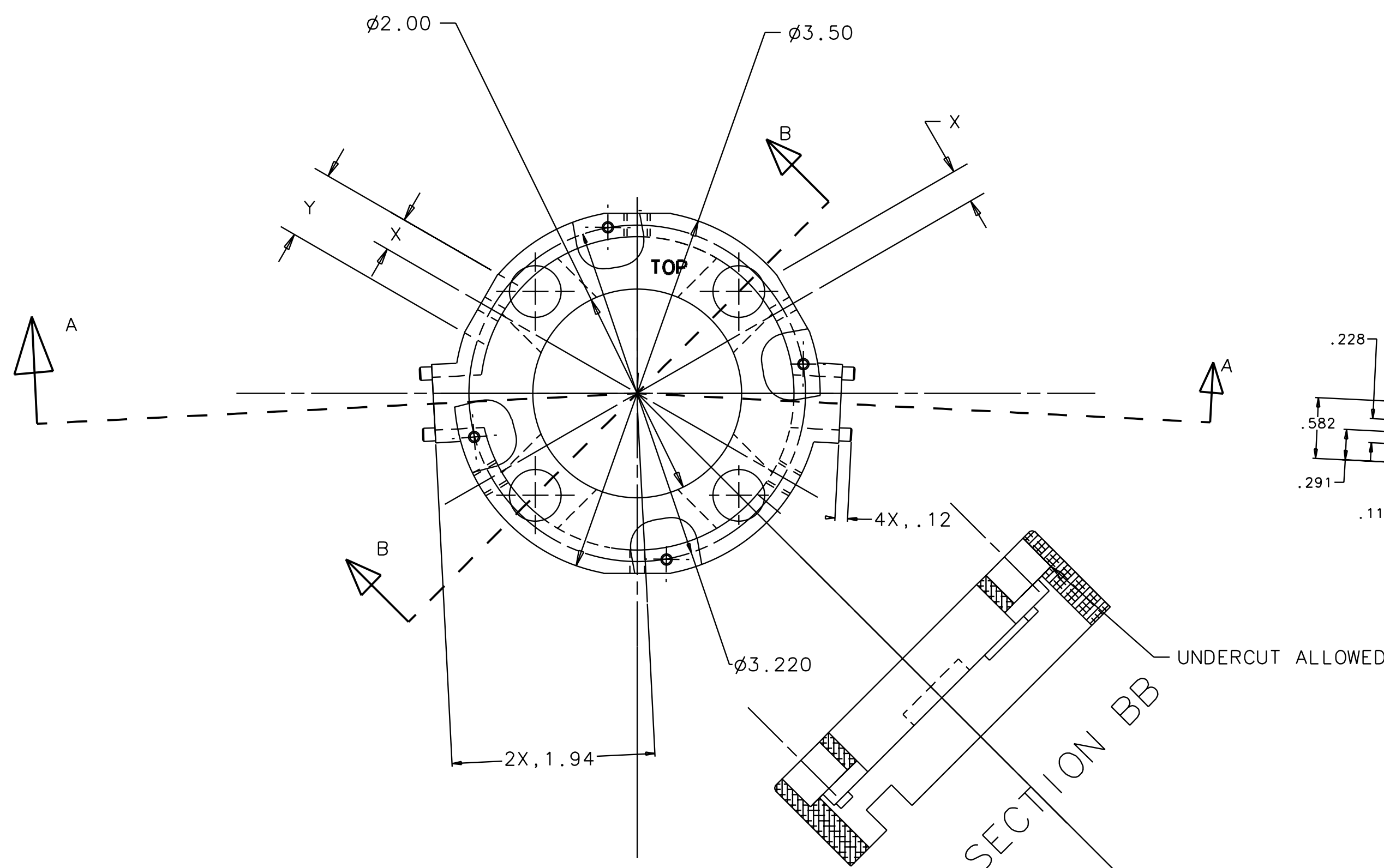
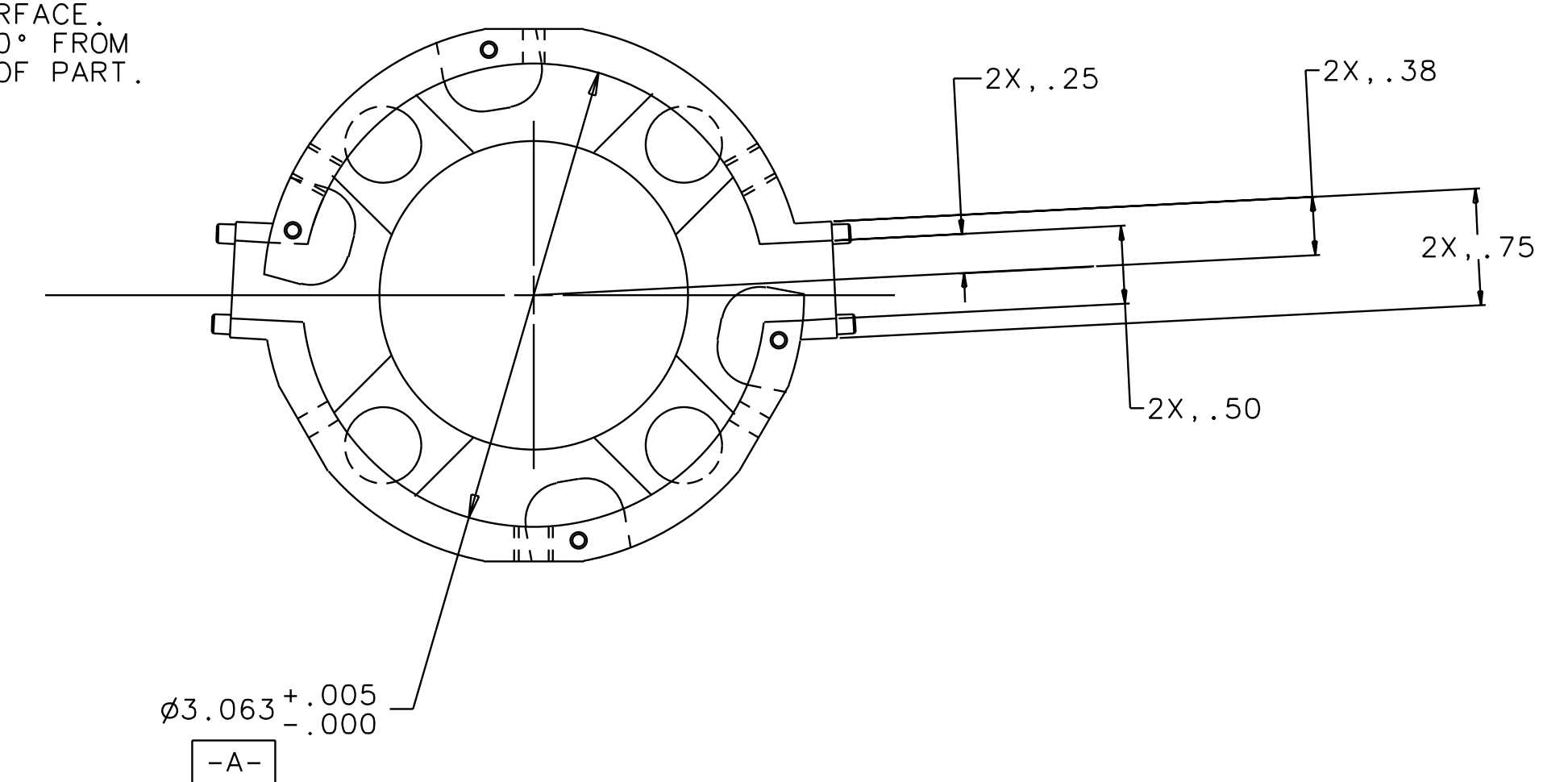


NOTES: (UNLESS OTHERWISE SPECIFIED)  
 1. DIMENSIONS IN INCHES.  
 2. REMOVE ALL SHARP EDGES.  
 3. MEASURE X AND Y ON FACE INDICATED AND MACHINE TWO MORE FLATS, 120° APART, TO MATCH X AND Y DIMENSIONS.  
 4. ENGRAVE OR ETCH PART WITH DRAWING NUMBER.

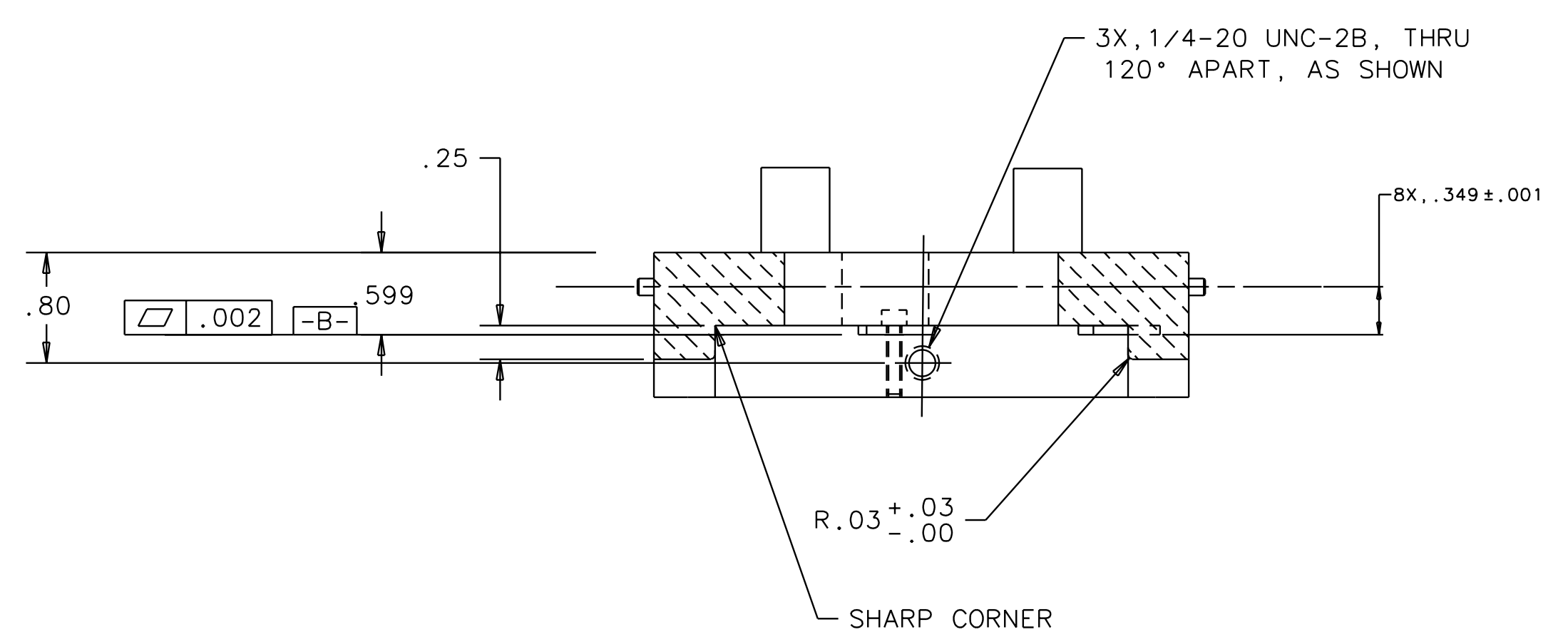
REV	DATE	DRAWN BY	CHECKED	DC	DCN/DESCRIPTION
A	8-15-01	J. Romie			E010154/INITIAL RELEASE



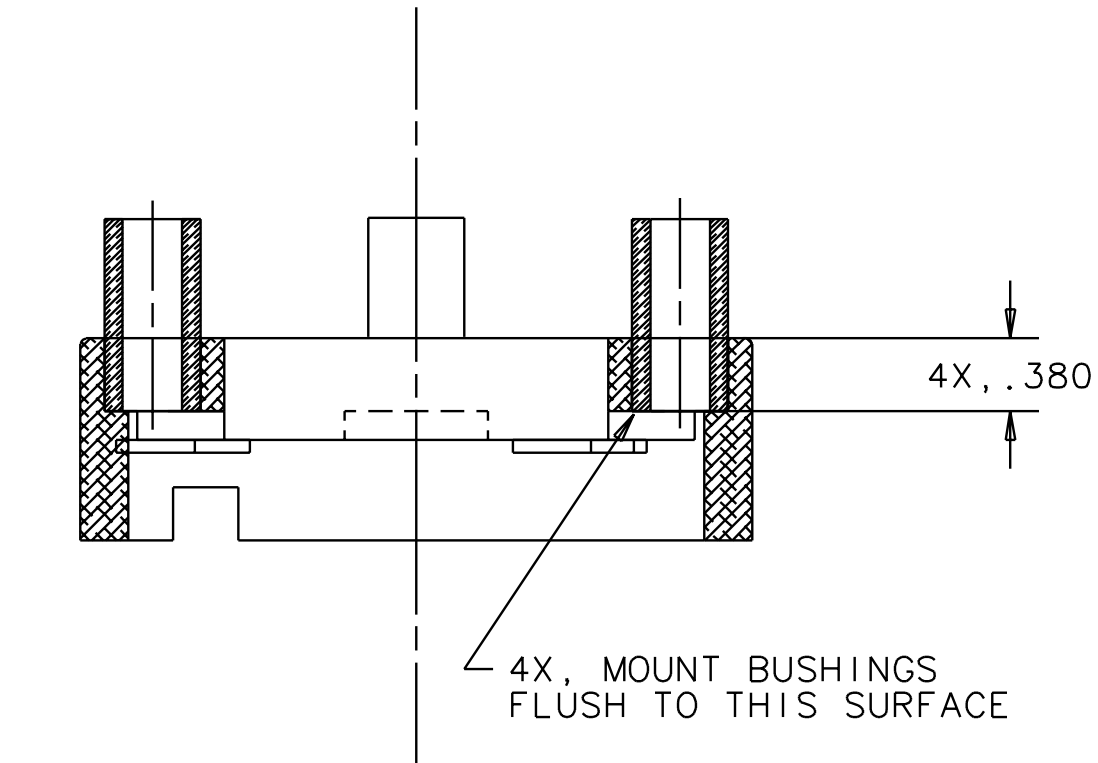
2X, ETCH LINE .02 WIDE MAX AND .02 MAX BELOW SURFACE. ETCH ANOTHER LINE 180° FROM THIS ONE ON OUTSIDE OF PART.



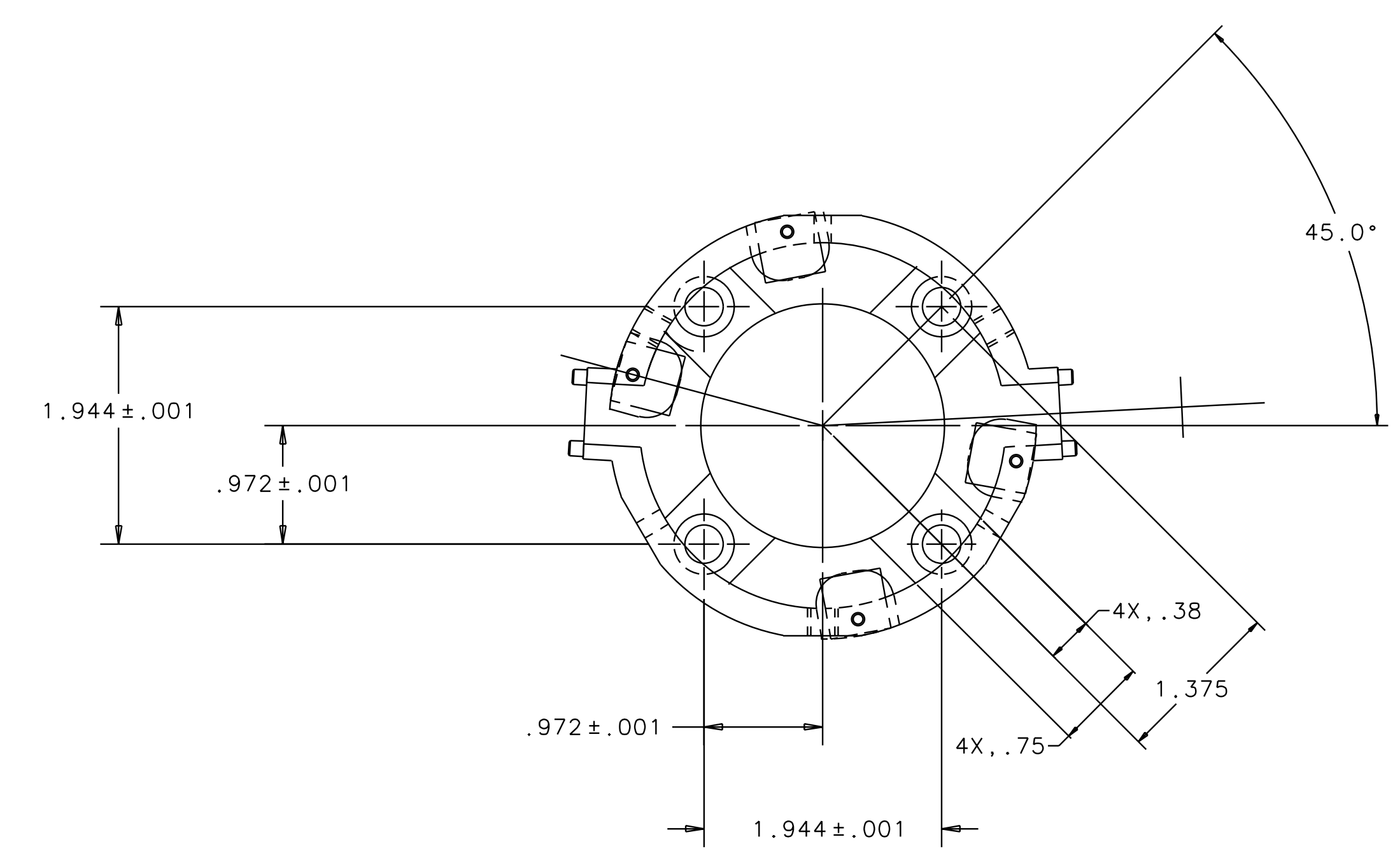
DETAIL



SECTION CC



SECTION DD



ASSEMBLY

QTY	REQD	PART OR IDENTIFYING NO.	NOMENCLATURE OR DESCRIPTION	MATERIAL SPECIFICATION	ITEM NO.
			APPROVALS	DATE	
			J. Romie	8/01	
			CHECKED		
UNLESS OTHERWISE SPECIFIED DIMENSIONS ARE IN INCHES TOLERANCES ARE: FRACTIONS DECIMALS ANGLES 0.XX±0.01 0.XXX±0.005 ANGLES±0.5°					
DO NOT SCALE DRAWING					
MATERIAL ALUM. 6061-T6					
FINISH NONE					
NEXT ASSEMBLY D010131					
FILE LOCATION /home/dcc/docs/D010130.pdf					
LIGO CALIFORNIA INSTITUTE OF TECHNOLOGY MASSACHUSETTS INSTITUTE OF TECHNOLOGY			TITLE RING FOR 40m SMALL OPTICS		
			SIZE E		
			SCALE 1/1		
			SHEET 1 OF 1		