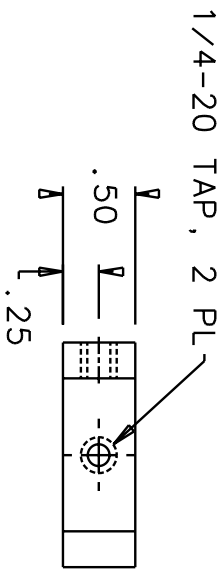
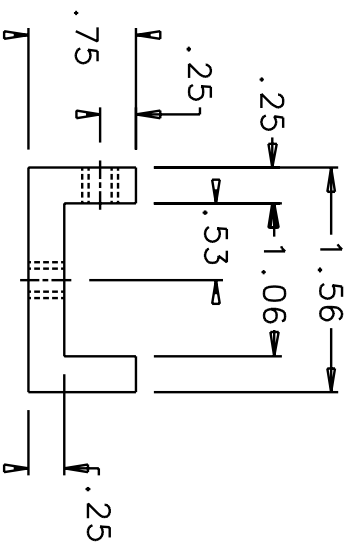
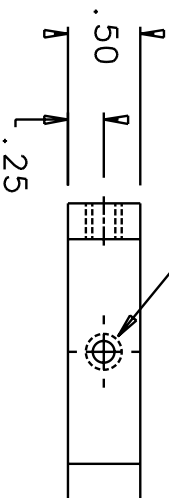


-1, DOUBLE "C"  
 MATERIAL: 300 SERIES STAINLESS

1/4-20 TAP, 3 PL

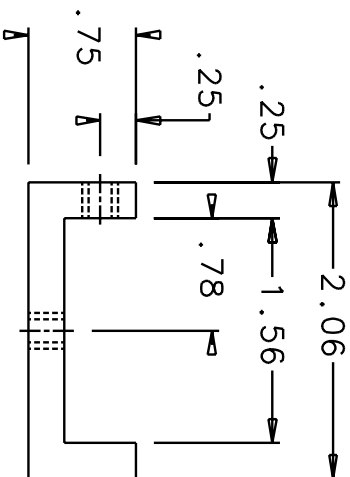


1/4-20 TAP, 2 PL



-2, NARROW "C"  
 MAT'L: 300 SERIES  
 STAINLESS

-3, WIDE "C"  
 MAT'L: 300 SERIES  
 STAINLESS



ALL DIMENSIONS  
 ARE IN INCHES

TOLERANCES:

X.XXX: +/- 0.005"

X.XX: +/- 0.01"

D010193-A  
 CLAMP-ON HOLES, 40M  
 LIGO PROJECT  
 L. JONES 9/5/01